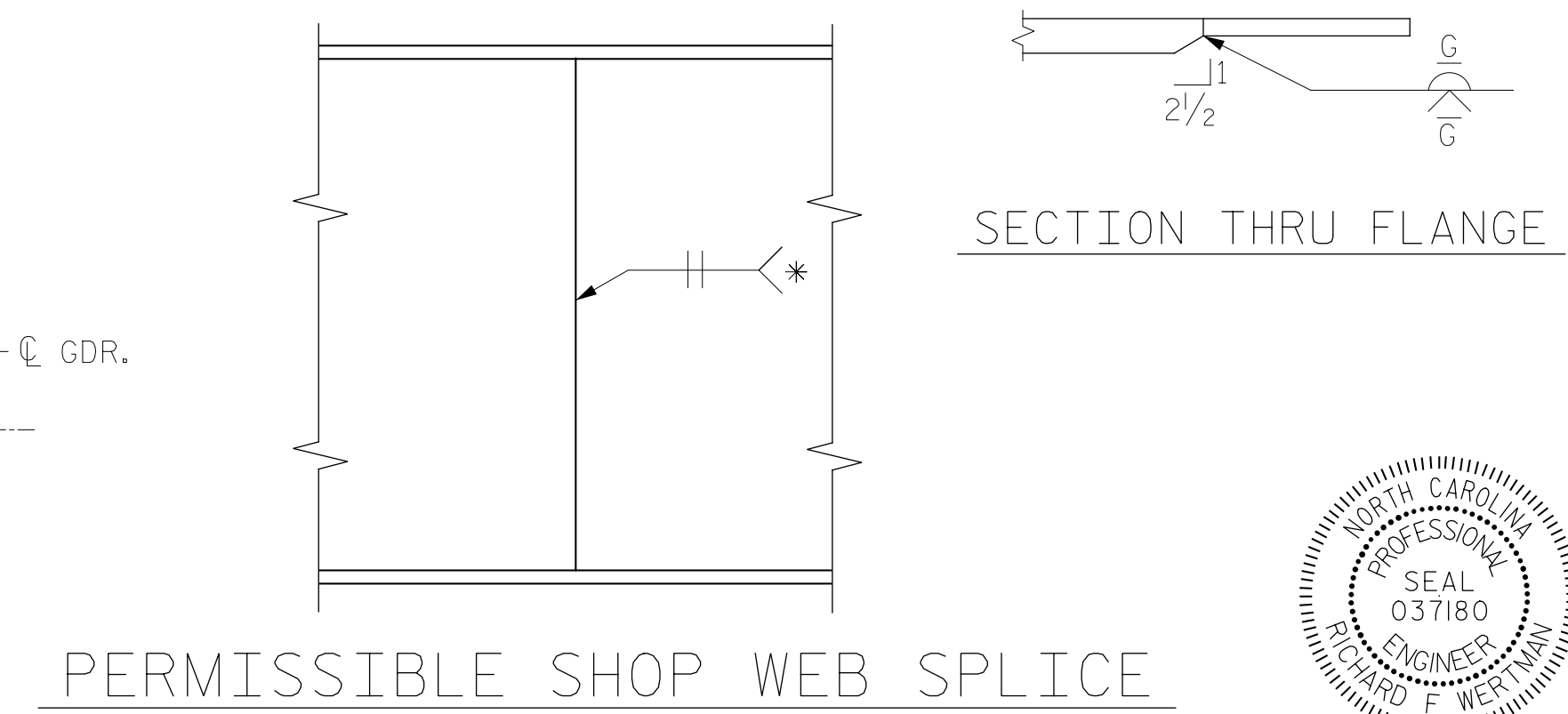
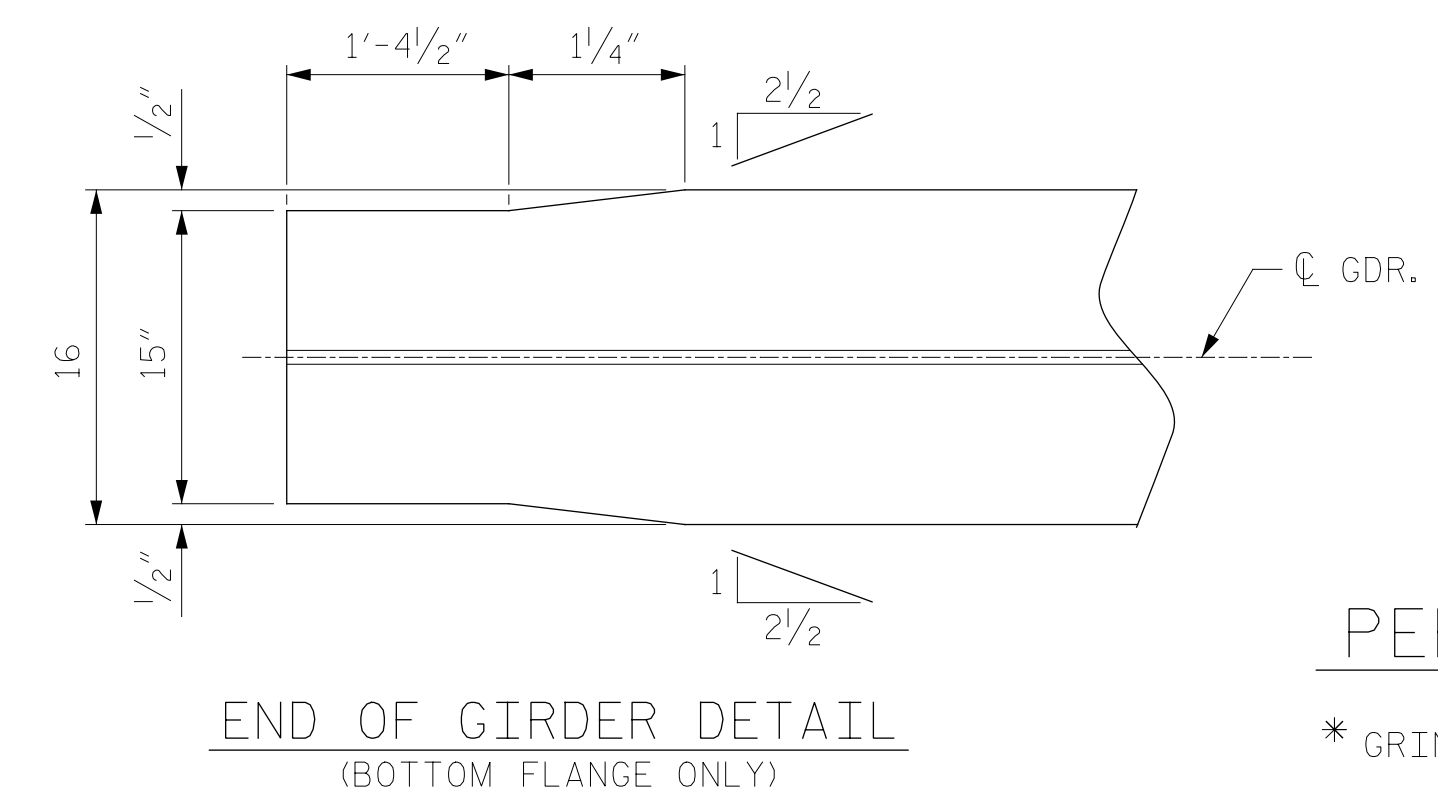
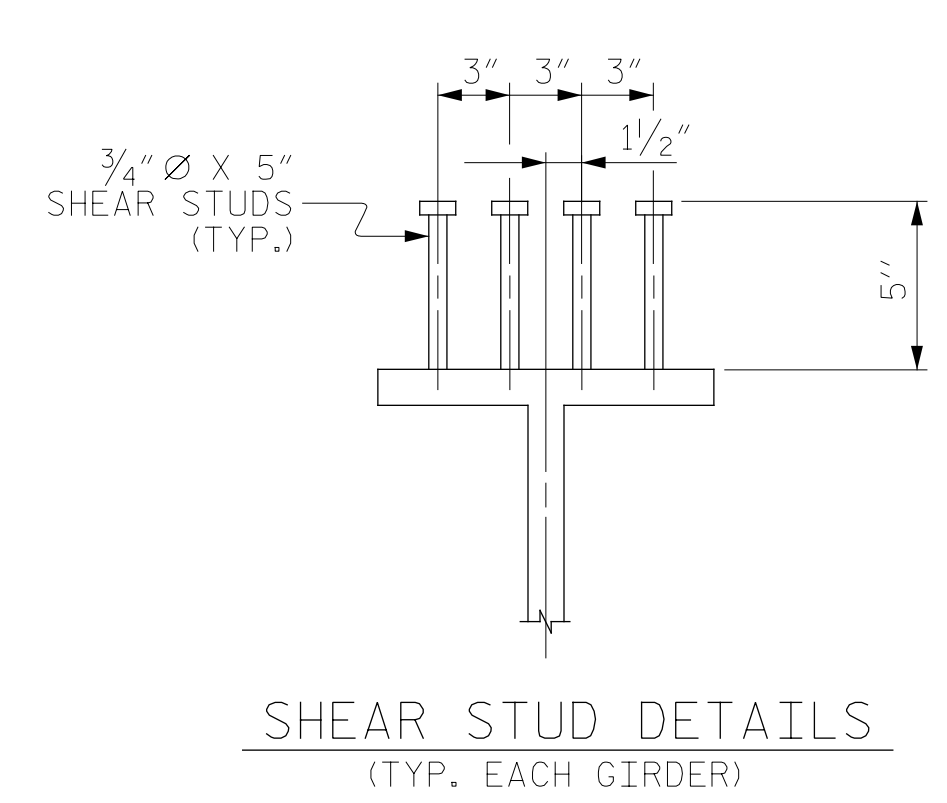
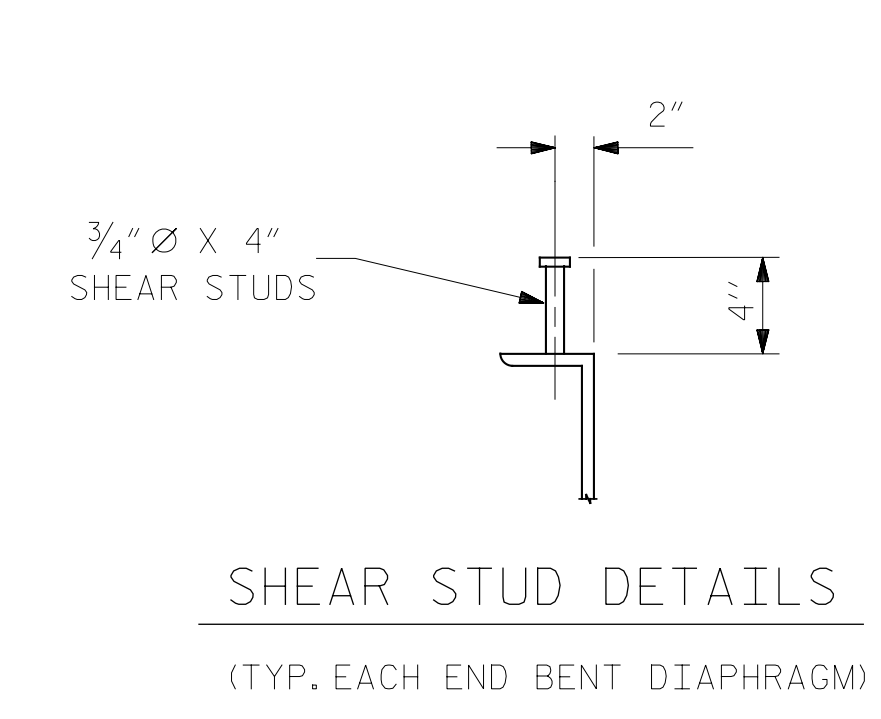


**GIRDER ELEVATION**  
(INTERMEDIATE DIAPHRAGMS NOT SHOWN)



**BOTTOM FLANGE DETAIL**



\* GRIND SMOOTH AND FLUSH ON OUTSIDE OF EXTERIOR GIRDERS

PROJECT NO. 41665.7A  
CUMBERLAND COUNTY  
 STATION: 107+16.84 -L2-  
13+69.76 -Y-

SHEET 1 OF 2

STATE OF NORTH CAROLINA  
 DEPARTMENT OF TRANSPORTATION  
 RALEIGH

SUPERSTRUCTURE  
 STRUCTURAL STEEL

DocuSigned by:  
*Richard F. Wertman*  
 09801AB8E8F6470...  
 11/7/2017

DRAWN BY : I.M. FORD	DATE : 10/10/17
CHECKED BY : R.F. WERTMAN	DATE : 10/16/17
DESIGN ENGINEER OF RECORD : R.F. WERTMAN	DATE : 11/06/17

PLANS PREPARED BY:

**Gannett Fleming**  
 Excellence Delivered As Promised

2610 Wycliff Road  
 Suite 102  
 Raleigh, NC 27607-3073  
 (919) 420-7660  
 NC Lic. No. F-0270

DOCUMENT NOT CONSIDERED  
 FINAL UNLESS ALL  
 SIGNATURES COMPLETED

REVISIONS						SHEET NO.
NO.	BY:	DATE:	NO.	BY:	DATE:	TOTAL SHEETS
1			3			24
2			4			