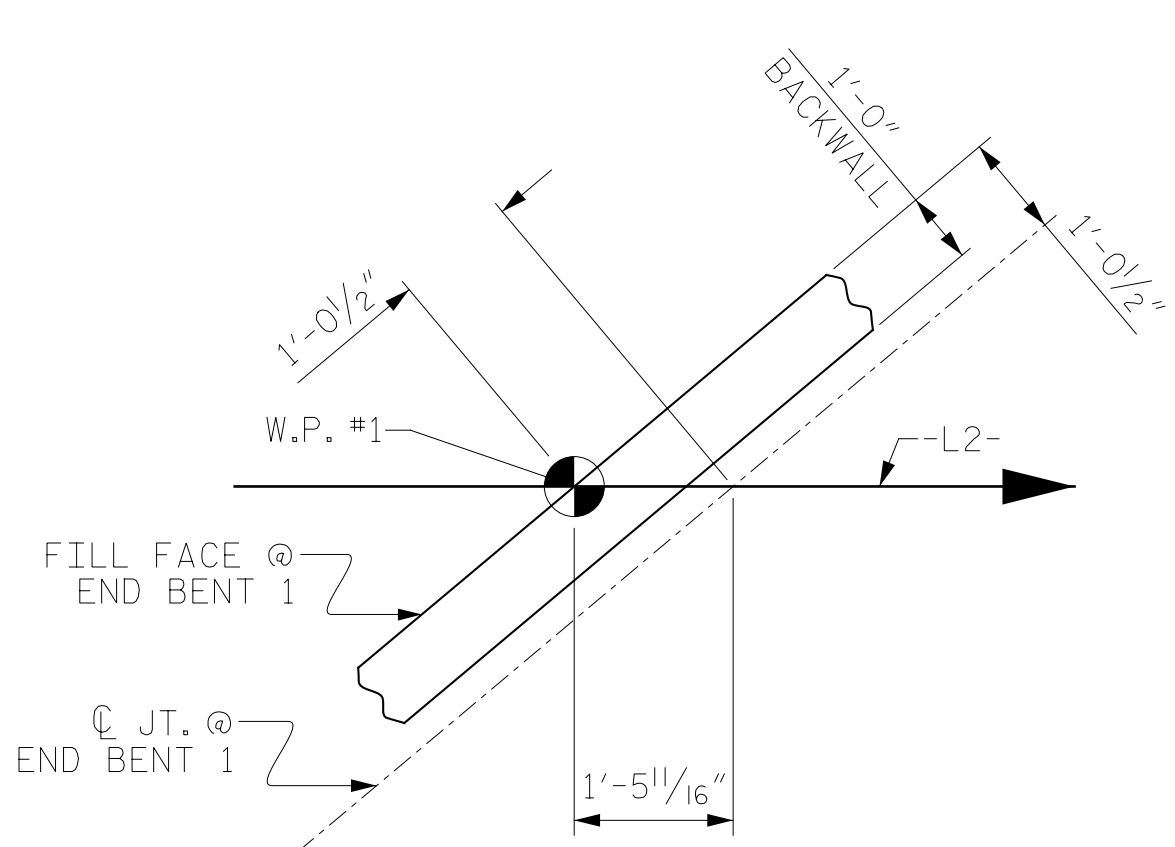
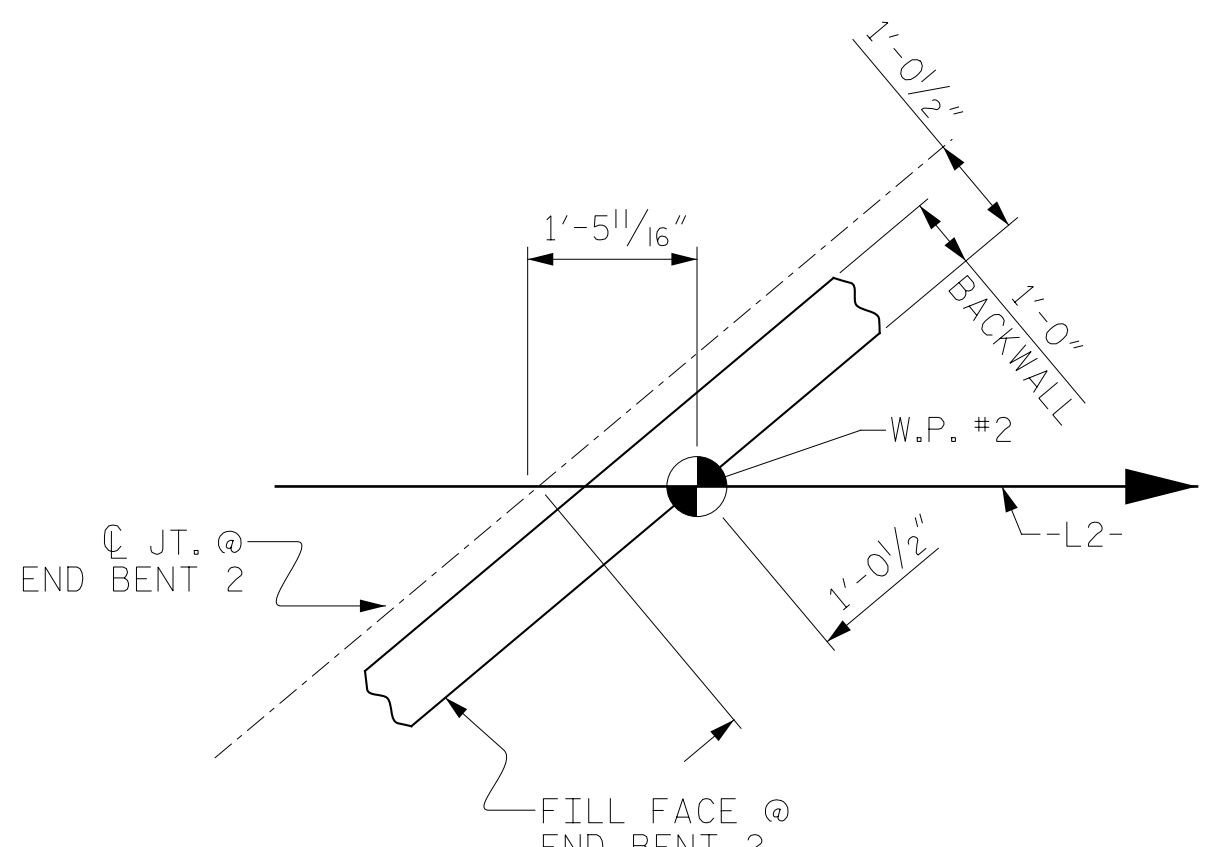


PLAN OF SPAN A

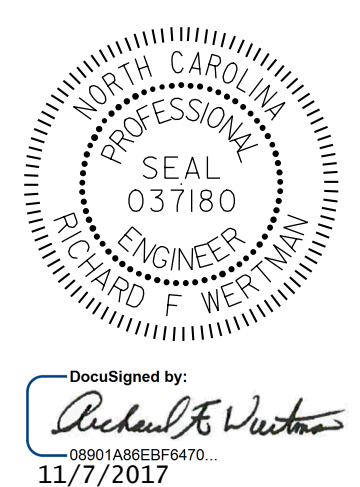


DETAIL "A"



DETAIL "B"

PROJECT NO. 41665.7A
 CUMBERLAND COUNTY
 STATION: 107+16.84 -L2-
 13+69.76 -Y-



STATE OF NORTH CAROLINA
 DEPARTMENT OF TRANSPORTATION
 RALEIGH

SUPERSTRUCTURE
 PLAN OF SPAN

DRAWN BY : B.A. WHITE DATE : 10/12/17
 CHECKED BY : R.F. WERTMAN DATE : 10/16/17
 DESIGN ENGINEER OF RECORD : R.F. WERTMAN DATE : 11/06/17

PLANS PREPARED BY:
Gannett Fleming
 Excellence Delivered As Promised
 2610 Wycliff Road
 Suite 102
 Raleigh, NC 27607-3073
 (919) 420-7660
 NC Lic. No. F-0270

DOCUMENT NOT CONSIDERED
 FINAL UNLESS ALL
 SIGNATURES COMPLETED

REVISIONS						SHEET NO. S03-6
NO.	BY:	DATE:	NO.	BY:	DATE:	
1			3			TOTAL SHEETS 24
2			4			