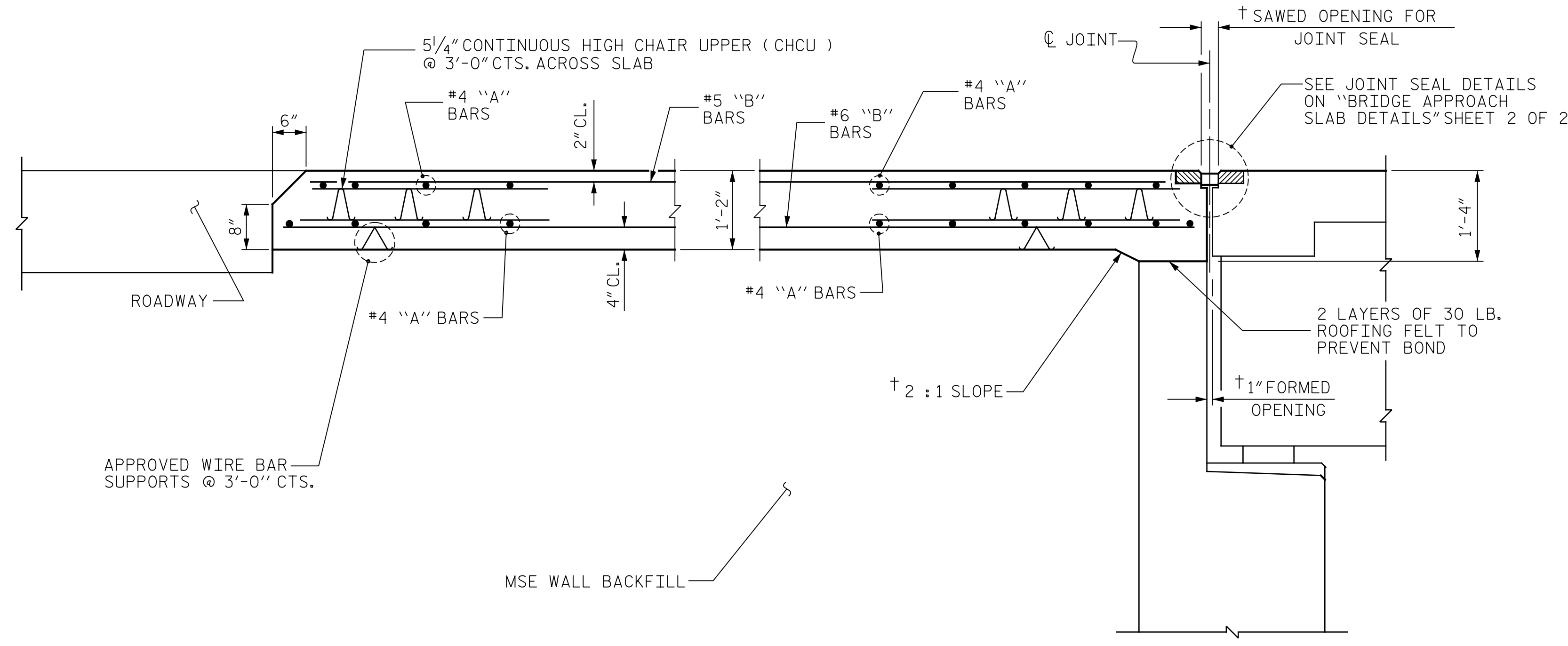


PLAN @ END BENT #1

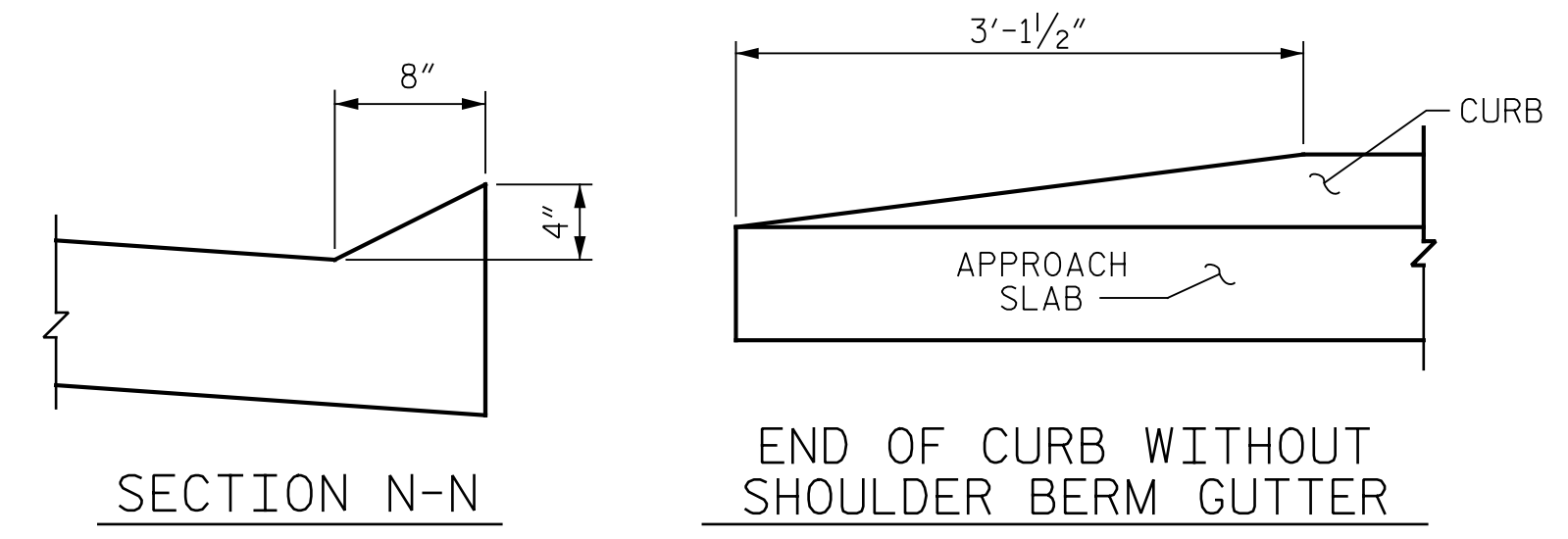
PLAN @ END BENT #2

DIMENSIONS SHOWN ARE TYPICAL FOR BOTH APPROACH SLABS



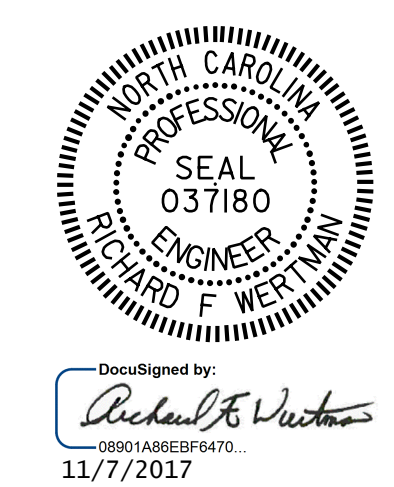
SECTION THRU SLAB

† NORMAL TO END BENT



CURB DETAILS

PROJECT NO. 41665.7A  
 CUMBERLAND COUNTY  
 STATION: 106+59.74 -L1-  
 14+51.19 -Y-  
 SHEET 1 OF 2



STATE OF NORTH CAROLINA  
 DEPARTMENT OF TRANSPORTATION  
 RALEIGH  
 STANDARD  
 BRIDGE APPROACH SLAB  
 FOR FLEXIBLE PAVEMENT

ASSEMBLED BY : B.A. WHITE	DATE : 09/18/17
CHECKED BY : T.M. FORD	DATE : 10/15/17
DRAWN BY : TLA 10/05	REV. 10/17/11 MAA/GM
CHECKED BY : GM 5/06	REV. 12/21/11 MAA/GM
	REV. 6/13 MAA/GM

PLANS PREPARED BY:  
**Gannett Fleming**  
 Excellence Delivered As Promised  
 Suite 102  
 2610 Wycliff Road  
 Raleigh NC 27607-3073  
 (919) 420-7660  
 NC Lic. No. F-0270

DOCUMENT NOT CONSIDERED  
 FINAL UNLESS ALL  
 SIGNATURES COMPLETED

REVISIONS						SHEET NO.
NO.	BY:	DATE:	NO.	BY:	DATE:	S02-22
1			3			TOTAL SHEETS
2			4			24