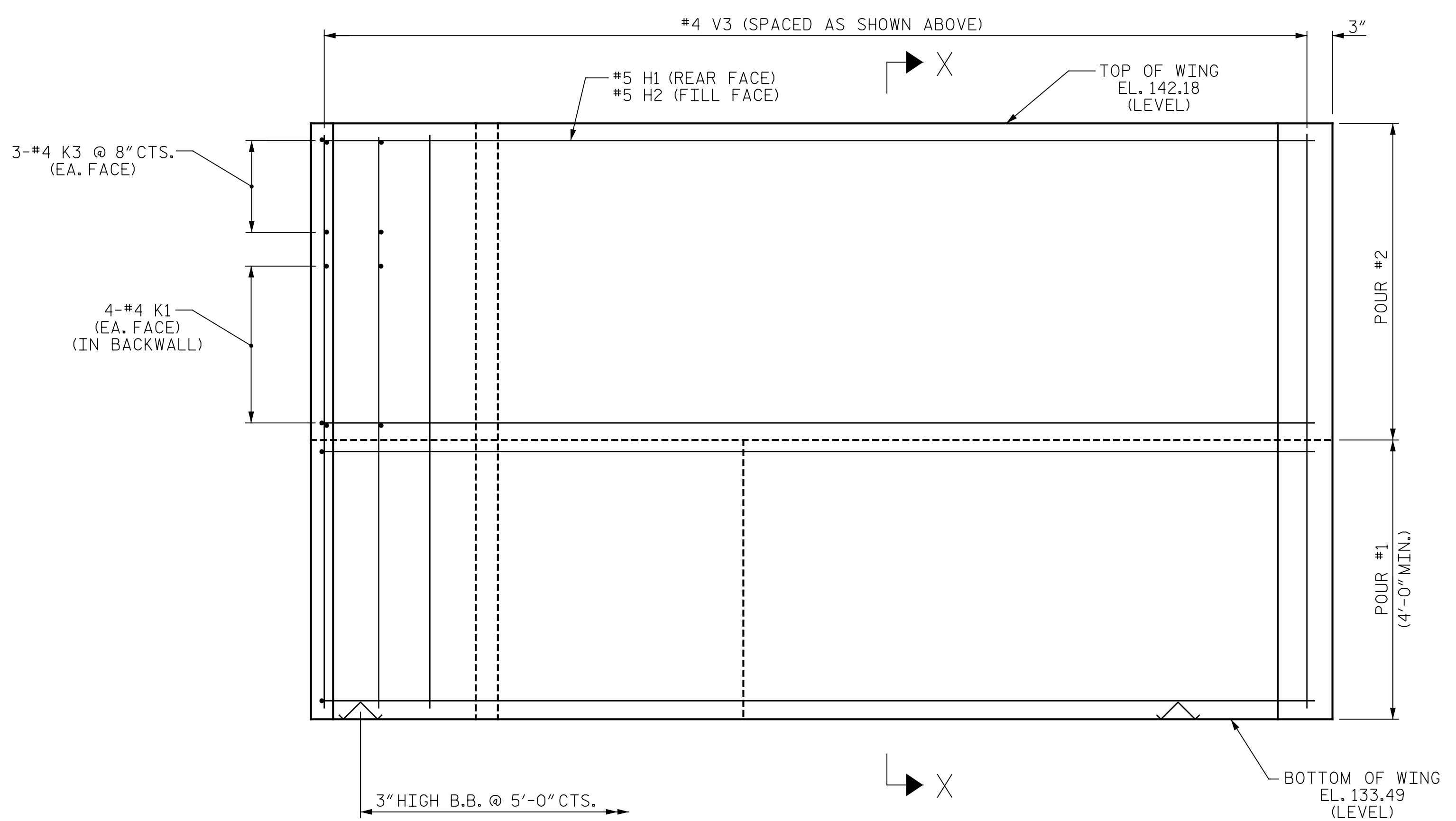
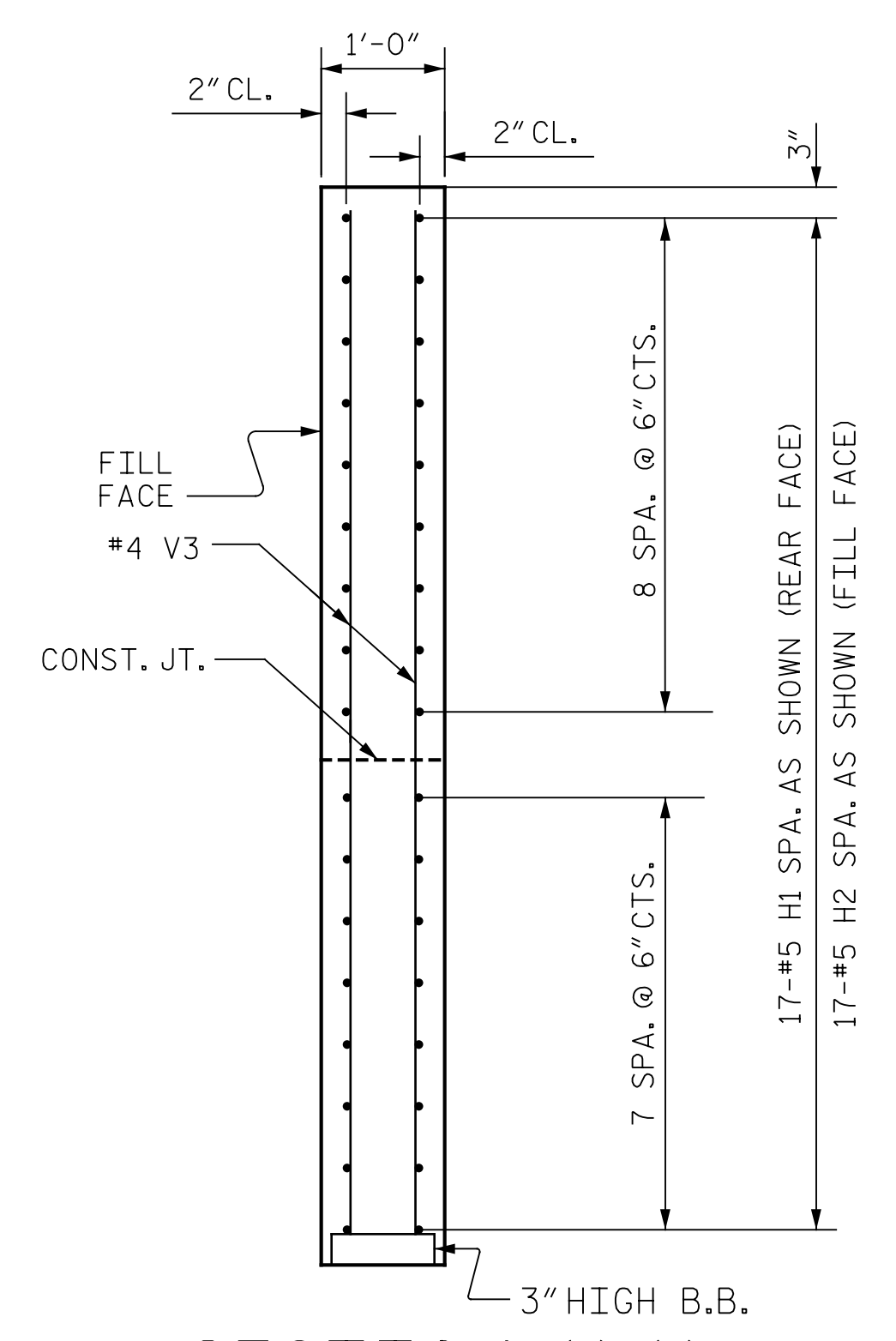


PLAN OF WING (W2)

\*\* CONTRACTOR SHALL VERIFY WING WALL LENGTH BASED ON MSE WALL DESIGN AND MODIFY THE WING WALL LENGTH ACCORDINGLY, SUCH THAT THE WING WALL AND 1" EXPANSION JOINT MATERIAL IS FLUSH WITH THE BACK OF THE MSE WALL PANEL.

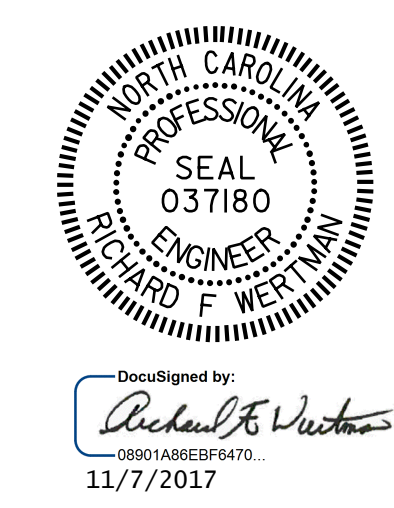


ELEVATION OF WING (W2)



SECTION X-X

PROJECT NO. 41665.7A  
 CUMBERLAND COUNTY  
 STATION: 106+59.74 -L1-  
 14+51.19 -Y-  
 SHEET 2 OF 3



STATE OF NORTH CAROLINA  
 DEPARTMENT OF TRANSPORTATION  
 RALEIGH

SUBSTRUCTURE  
 END BENT #2

DRAWN BY : I.M. FORD	DATE : 10/17/17
CHECKED BY : R.F. WERTMAN	DATE : 10/18/17
DESIGN ENGINEER OF RECORD : R.F. WERTMAN	DATE : 11/06/17

PLANS PREPARED BY:  
**Gannett Fleming**  
 Excellence Delivered As Promised  
 2610 Wycliff Road  
 Suite 102  
 Raleigh, NC 27607-3073  
 (919) 420-7660  
 NC Lic. No. F-0270

DOCUMENT NOT CONSIDERED FINAL UNLESS ALL SIGNATURES COMPLETED

REVISIONS						SHEET NO.
NO.	BY:	DATE:	NO.	BY:	DATE:	TOTAL SHEETS
1			3			24
2			4			