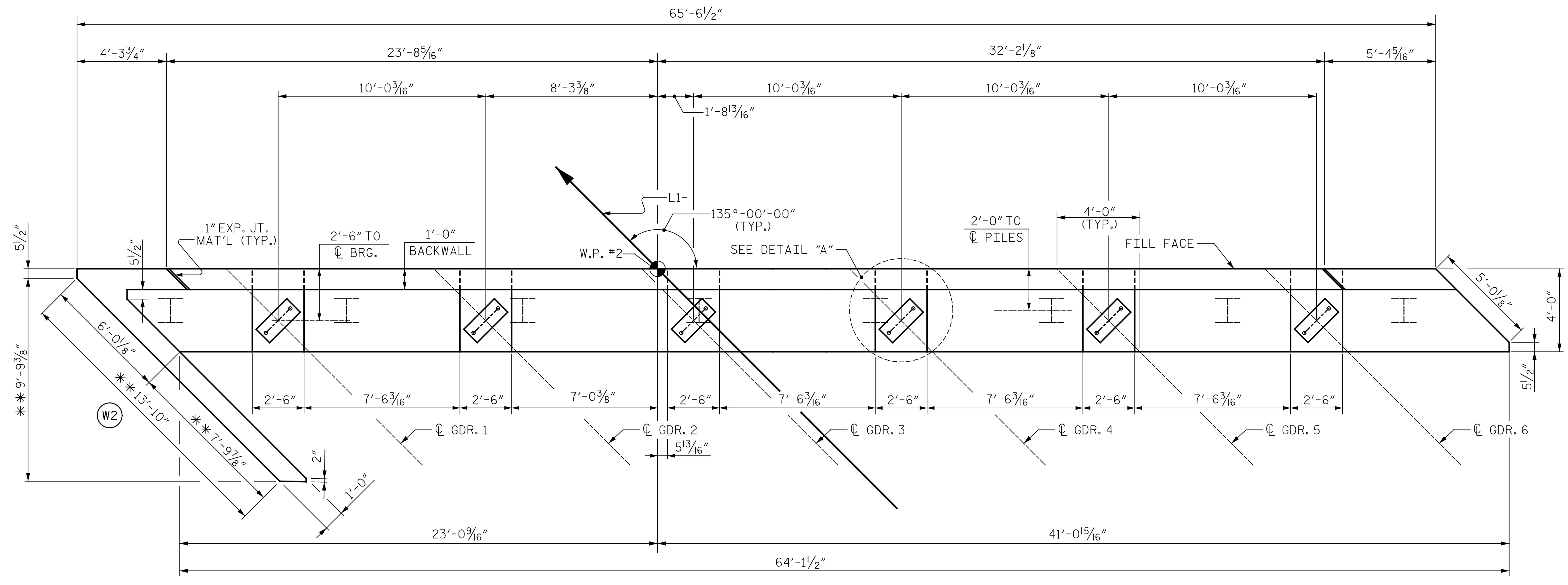
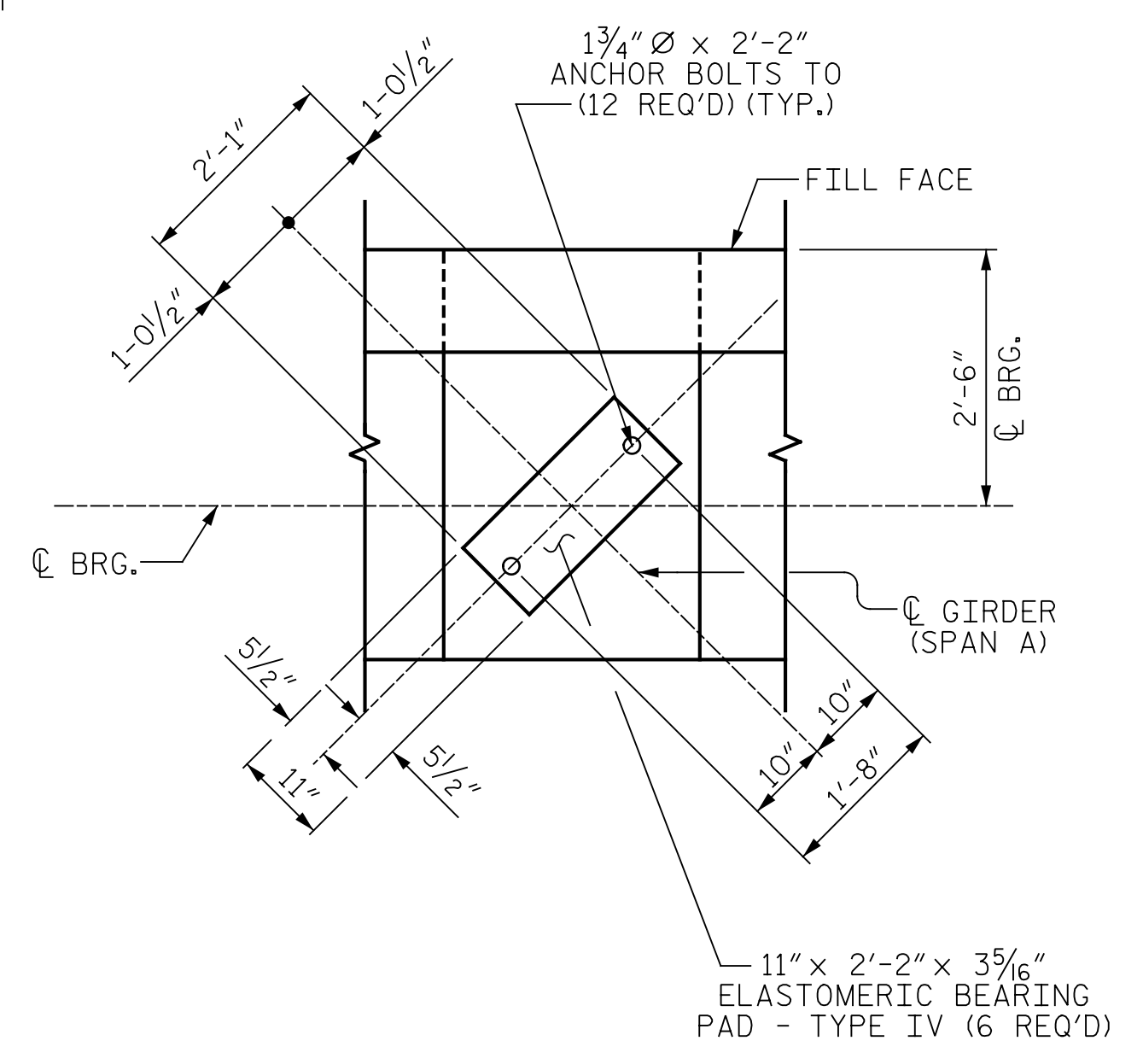


NOTES:

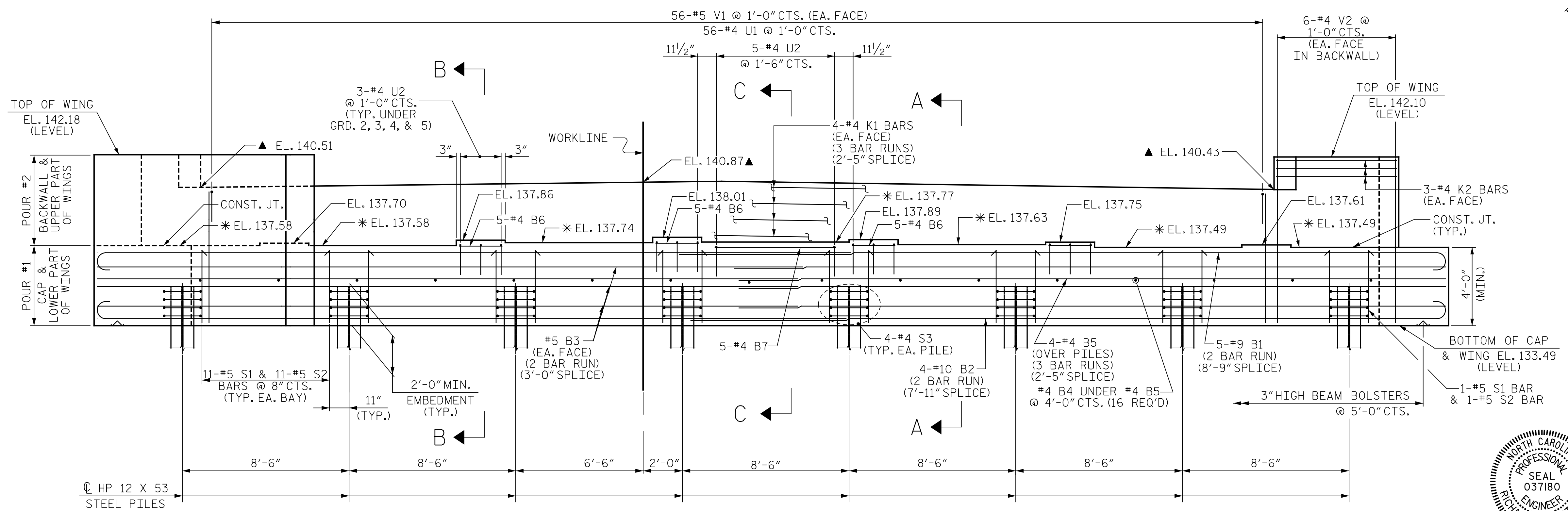
- * FOR LOCATION OF ELEVATIONS BETWEEN BRIDGE SEAT BUILDUPS, SEE SECTION A-A ON SHEET 3 OF 3.
- ▲ THIS ELEVATION TAKEN ON FILL FACE OF BACKWALL.
- STIRRUPS & U2 BARS IN CAP MAY BE SHIFTED AS NECESSARY TO CLEAR ANCHOR BOLTS.
- BACKWALL SHALL BE PLACED BEFORE APPLYING THE EPOXY PROTECTIVE COATING.
- THE TOP SURFACE OF THE CAP EXCEPT THE BRIDGE SEAT BUILDUPS SHALL BE SLOPED TRANSVERSELY FROM THE FILL FACE TO THE BACK FACE AT THE RATE OF 2%.
- THE TOP SURFACE AREAS OF THE END BENT CAPS SHALL BE CURED IN ACCORDANCE WITH THE STANDARD SPECIFICATIONS, EXCEPT THE MEMBRANE CURING COMPOUND METHOD SHALL NOT BE USED.
- ** CONTRACTOR SHALL VERIFY WING WALL LENGTH BASED ON MSE WALL DESIGN AND MODIFY THE WING WALL LENGTH ACCORDINGLY, SUCH THAT THE WING WALL AND 1" EXPANSION JOINT MATERIAL IS FLUSH WITH THE BACK OF THE MSE WALL PANEL.



PLAN



DETAIL "A"
(TYP. EA. GIRDER)



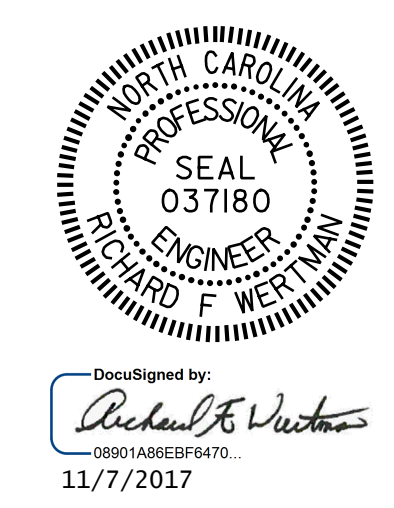
ELEVATION

PROJECT NO. 41665.7A
 CUMBERLAND COUNTY
 STATION: 106+59.74 -L1-
 14+51.19 -Y-

SHEET 1 OF 3

STATE OF NORTH CAROLINA
 DEPARTMENT OF TRANSPORTATION
 RALEIGH

**SUBSTRUCTURE
 END BENT #2**



DRAWN BY : I.M. FORD DATE : 10/16/17
 CHECKED BY : R.F. WERTMAN DATE : 10/18/17
 DESIGN ENGINEER OF RECORD : R.F. WERTMAN DATE : 11/06/17

SEE "SECTION A-A" ON SHEET 3 OF 3 FOR 24" Ø C.S. PIPE DETAILS

PLANS PREPARED BY:
Gannett Fleming
 Excellence Delivered As Promised

2610 Wycliff Road
 Suite 102
 Raleigh, NC 27607-3073
 (919) 420-7660
 NC Lic. No. F-0270

DOCUMENT NOT CONSIDERED
 FINAL UNLESS ALL
 SIGNATURES COMPLETED

REVISIONS						SHEET NO. S02-19
NO.	BY:	DATE:	NO.	BY:	DATE:	
1			3			TOTAL SHEETS 24
2			4			