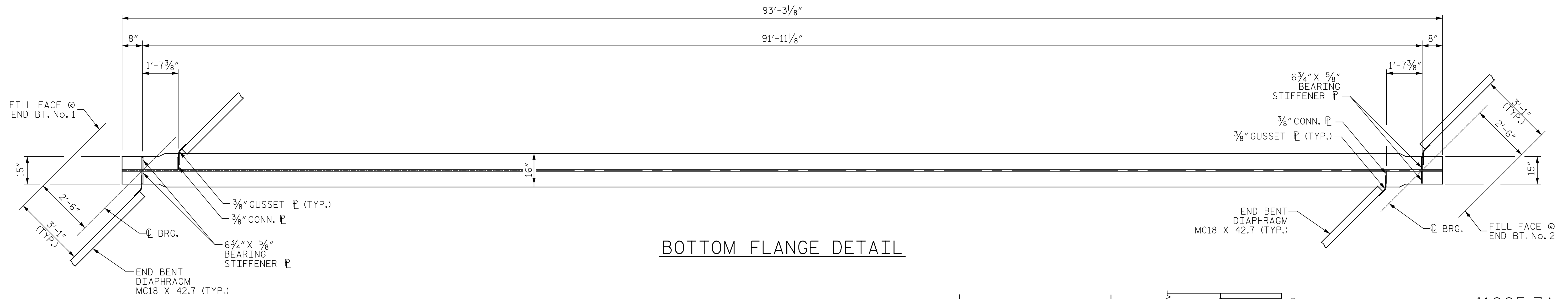
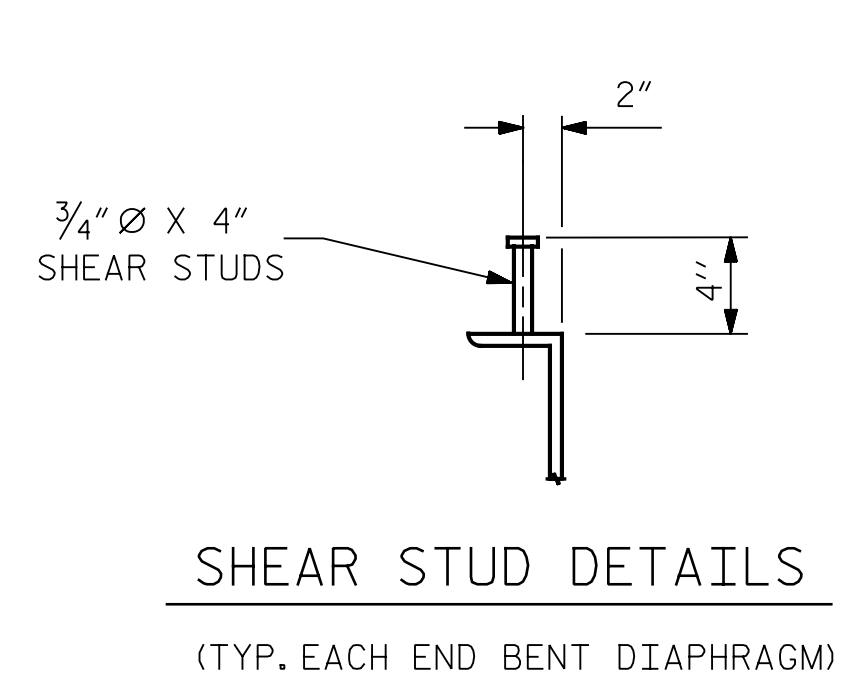


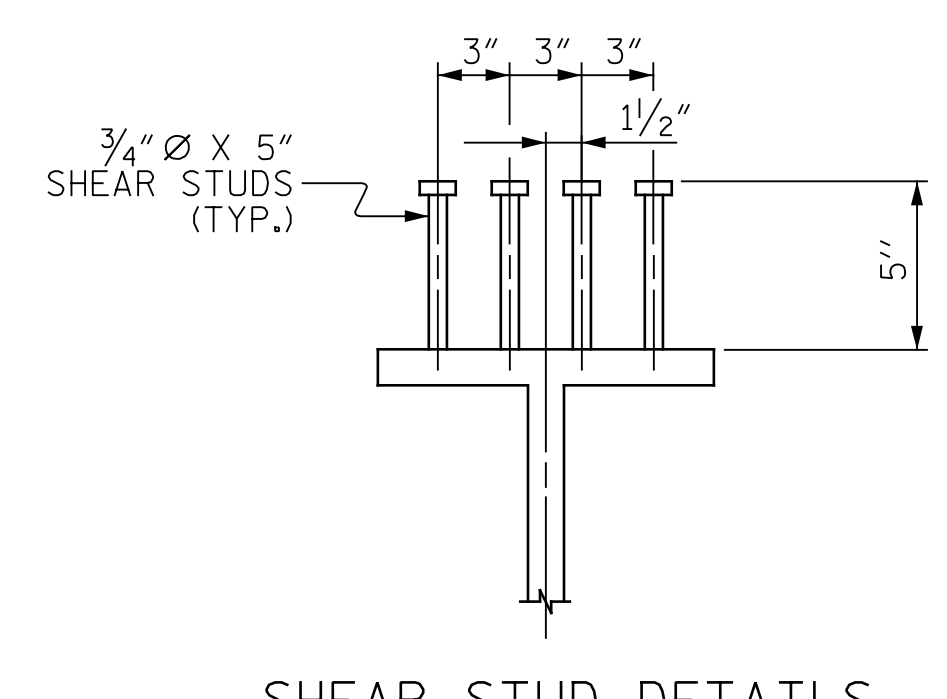
GIRDER ELEVATION
(INTERMEDIATE DIAPHRAGMS NOT SHOWN)



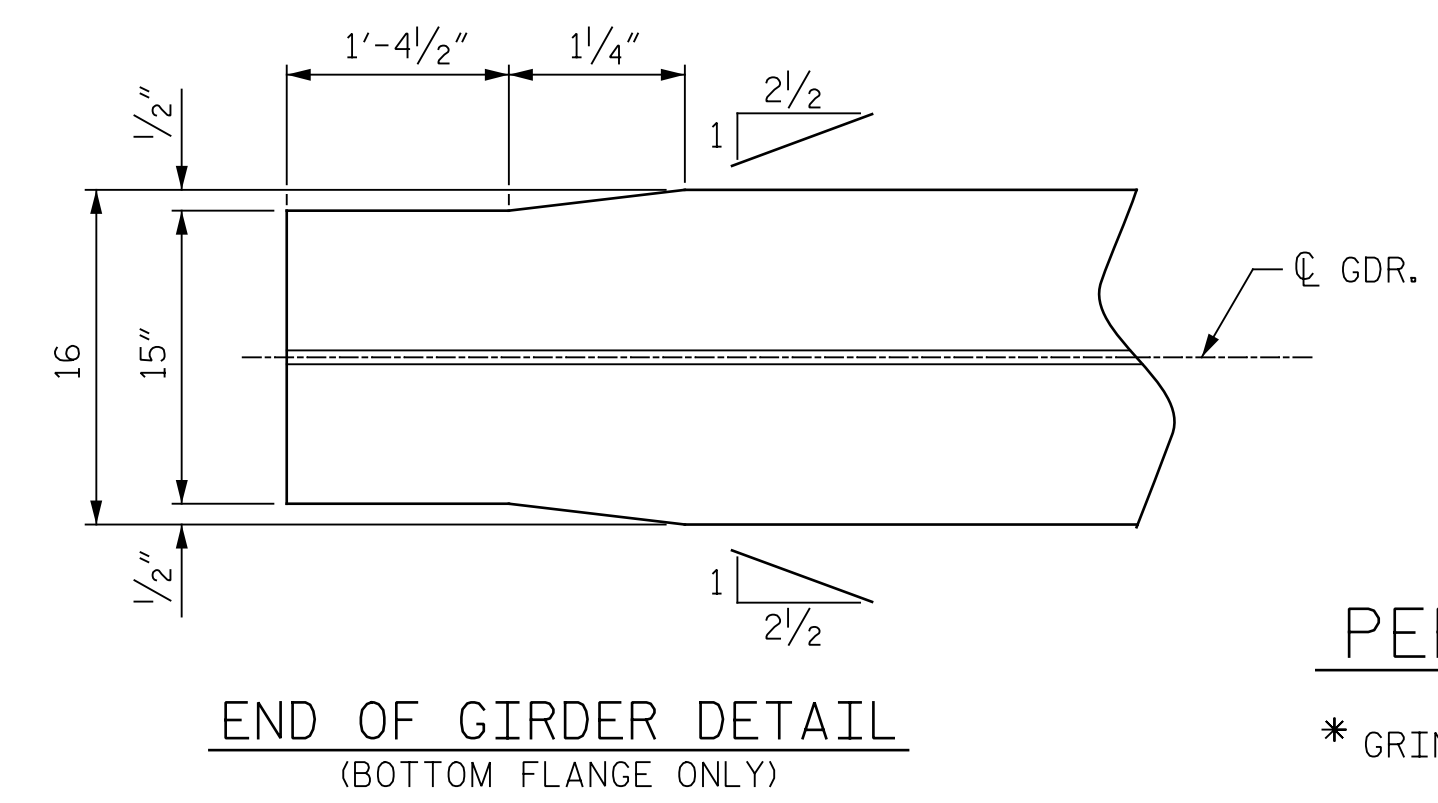
BOTTOM FLANGE DETAIL



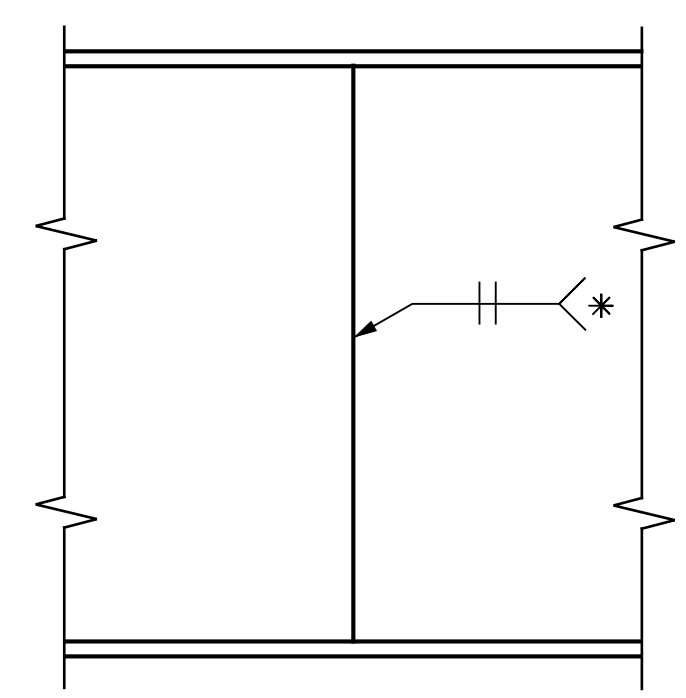
SHEAR STUD DETAILS
(TYP. EACH END BENT DIAPHRAGM)



SHEAR STUD DETAILS
(TYP. EACH GIRDER)

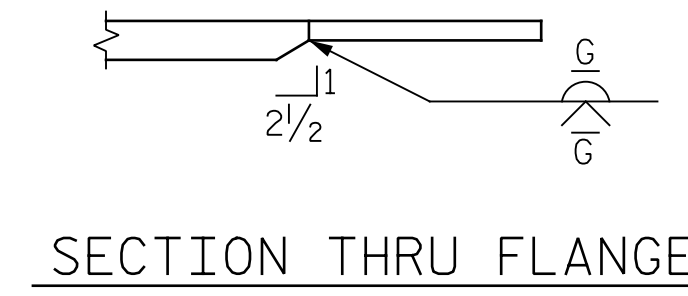


END OF GIRDER DETAIL
(BOTTOM FLANGE ONLY)

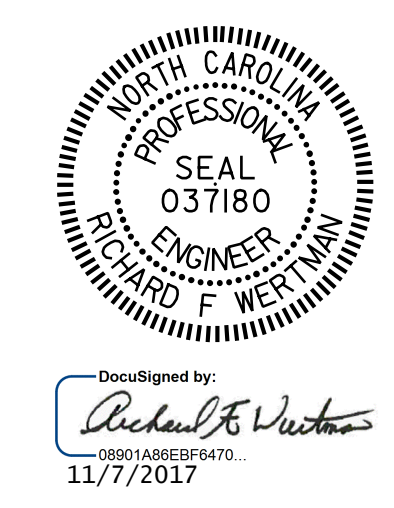


PERMISSIBLE SHOP WEB SPLICE

* GRIND SMOOTH AND FLUSH ON OUTSIDE OF EXTERIOR GIRDERS



SECTION THRU FLANGE



PROJECT NO. 41665.7A
CUMBERLAND COUNTY
STATION: 106+59.74 -L1-
14+51.19 -Y-

SHEET 1 OF 2

STATE OF NORTH CAROLINA DEPARTMENT OF TRANSPORTATION RALEIGH		SUPERSTRUCTURE STRUCTURAL STEEL			
REVISIONS					
NO.	BY:	DATE:	NO.	BY:	DATE:
1			3		
2			4		

DRAWN BY : I.M. FORD DATE : 10/10/17
CHECKED BY : R.F. WERTMAN DATE : 10/14/17
DESIGN ENGINEER OF RECORD : R.F. WERTMAN DATE : 11/06/17

PLANS PREPARED BY:
Gannett Fleming
2610 Wycliff Road
Suite 102
Raleigh, NC 27607-3073
(919) 420-7660
NC Lic. No. F-0270

DOCUMENT NOT CONSIDERED
FINAL UNLESS ALL
SIGNATURES COMPLETED

SHEET NO. S02-8
TOTAL SHEETS 24