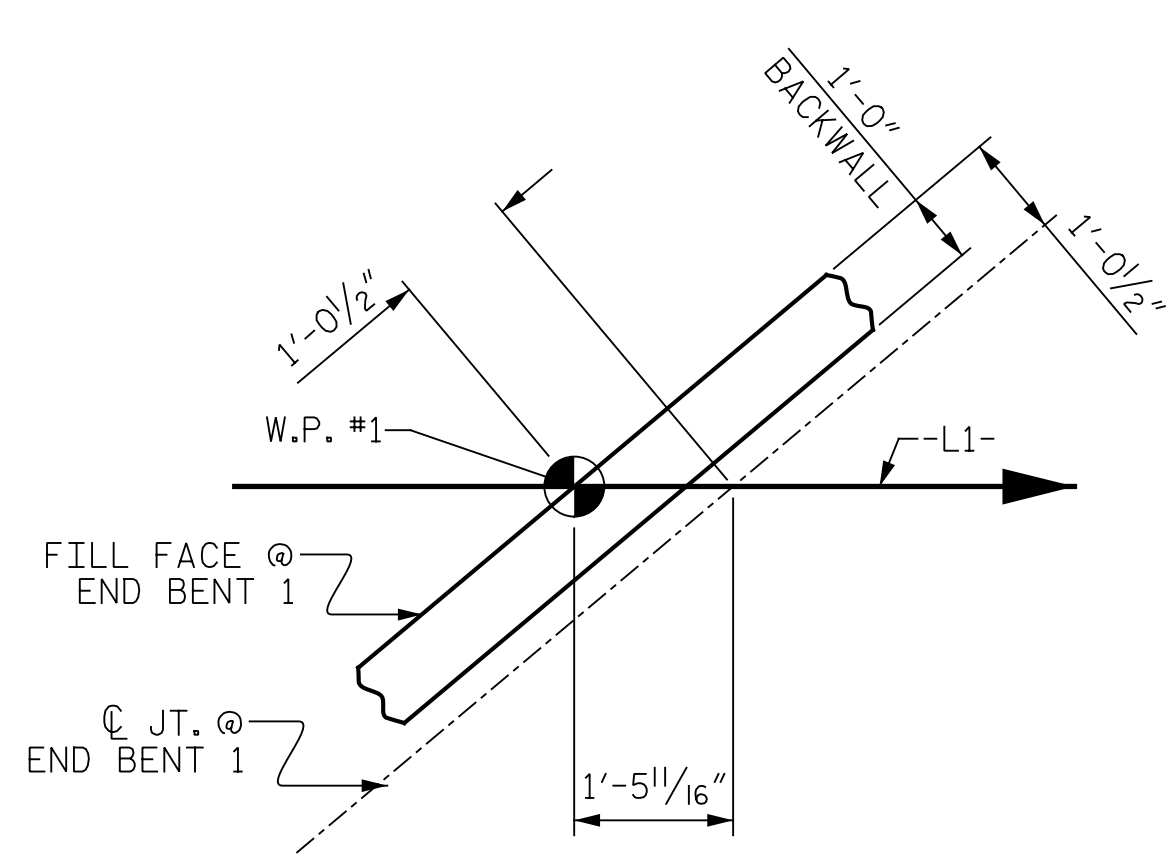
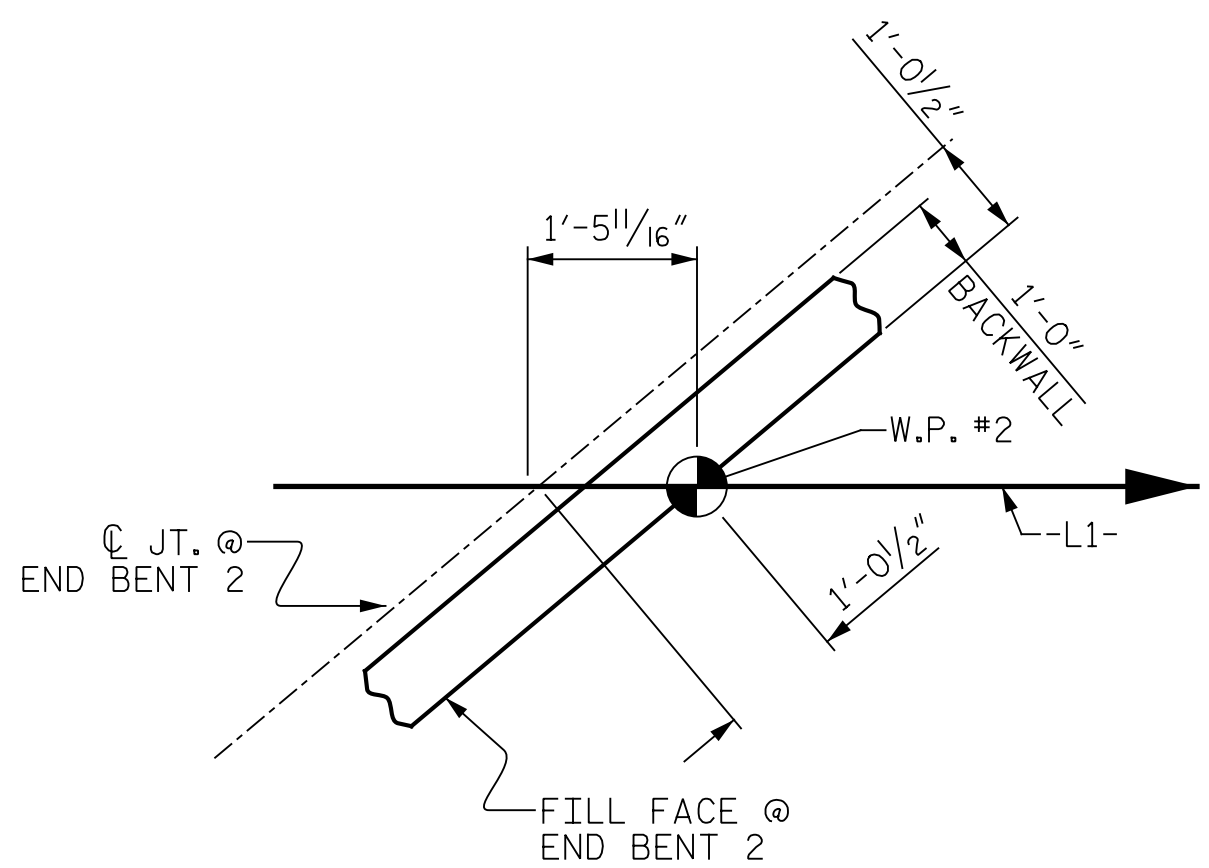


PLAN OF SPAN A

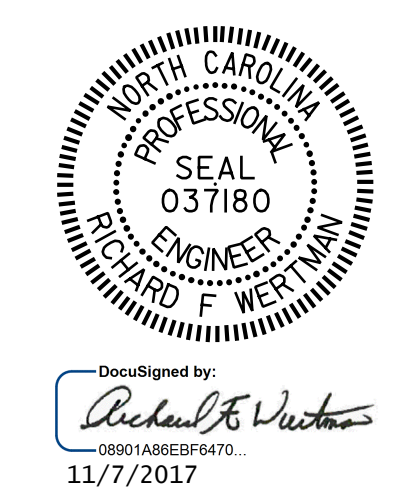


DETAIL "A"



DETAIL "B"

PROJECT NO. 41665.7A  
 CUMBERLAND COUNTY  
 STATION: 106+59.74 -L1-  
 14+51.19 -Y-



STATE OF NORTH CAROLINA  
 DEPARTMENT OF TRANSPORTATION  
 RALEIGH  
 SUPERSTRUCTURE  
 PLAN OF SPAN

DRAWN BY : B.A. WHITE DATE : 10/12/17  
 CHECKED BY : R.F. WERTMAN DATE : 10/12/17  
 DESIGN ENGINEER OF RECORD : R.F. WERTMAN DATE : 11/06/17

PLANS PREPARED BY:  
**Gannett Fleming**  
 Excellence Delivered As Promised  
 2610 Wycliff Road  
 Suite 102  
 Raleigh, NC 27607-3073  
 (919) 420-7660  
 NC Lic. No. F-0270

DOCUMENT NOT CONSIDERED  
 FINAL UNLESS ALL  
 SIGNATURES COMPLETED

REVISIONS						SHEET NO.
NO.	BY:	DATE:	NO.	BY:	DATE:	S02-6
1			3			TOTAL SHEETS
2			4			24