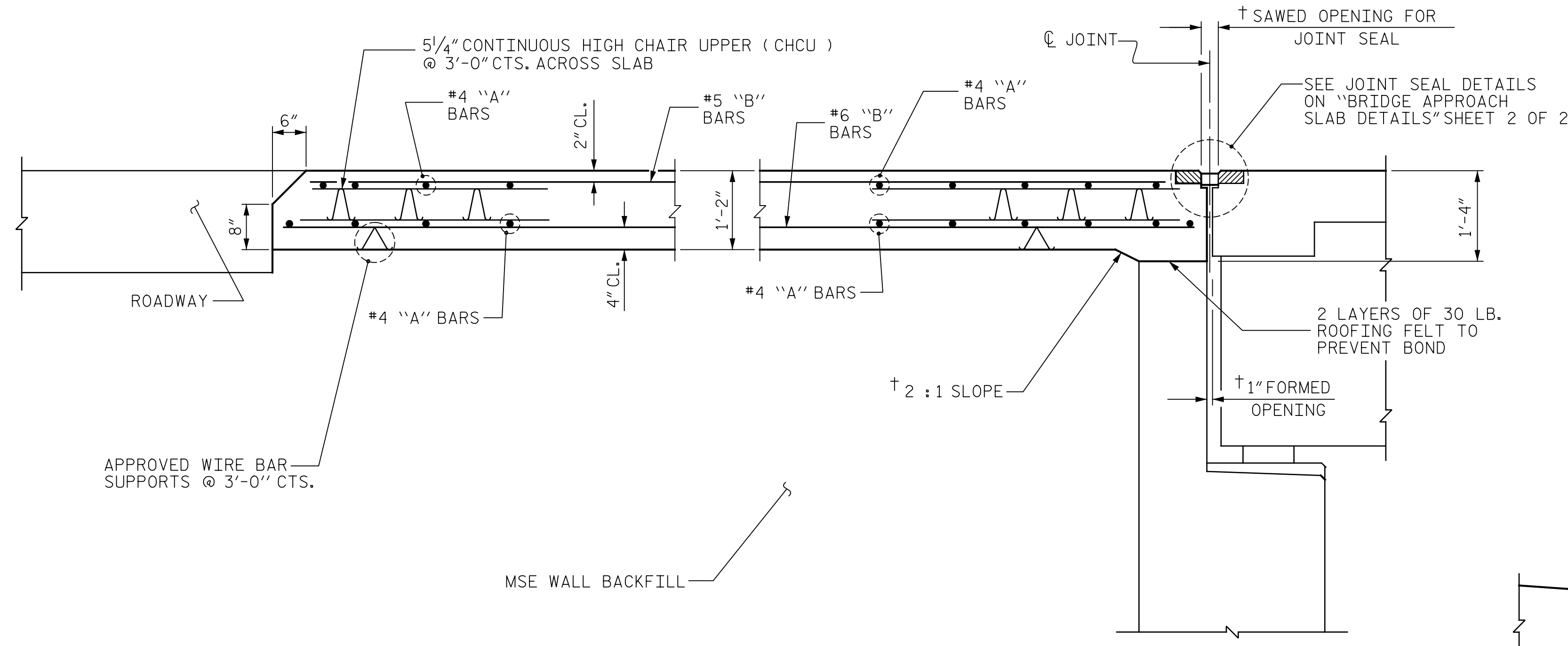


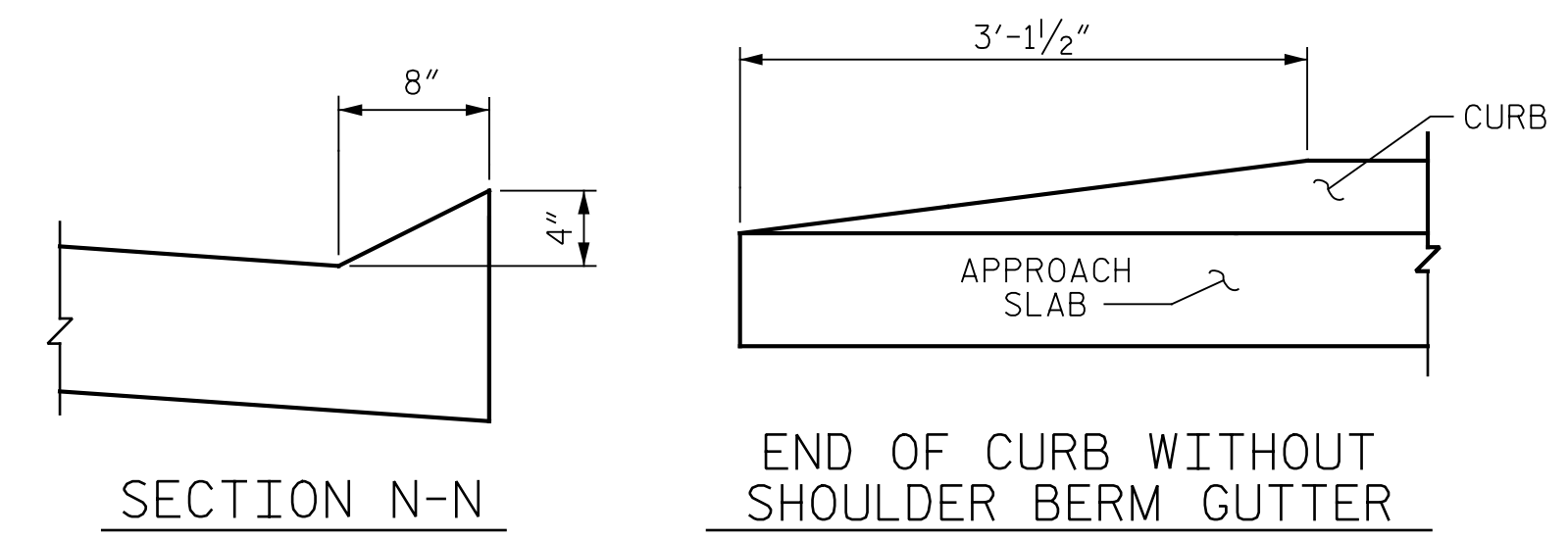
PLAN @ END BENT #1

PLAN @ END BENT #2

DIMENSIONS SHOWN ARE TYPICAL FOR BOTH APPROACH SLABS



SECTION THRU SLAB

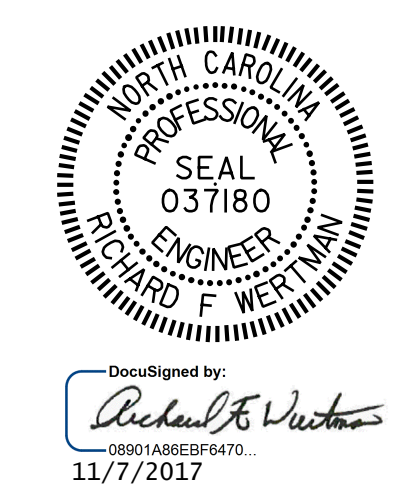


SECTION N-N

END OF CURB WITHOUT SHOULDER BERM GUTTER

CURB DETAILS

PROJECT NO. 41665.7A
 CUMBERLAND COUNTY
 STATION: 21+57.23 -L-
 109+69.94 -L2-
 SHEET 1 OF 2



STATE OF NORTH CAROLINA
 DEPARTMENT OF TRANSPORTATION
 RALEIGH
 STANDARD
 BRIDGE APPROACH SLAB
 FOR FLEXIBLE PAVEMENT

ASSEMBLED BY : B.A. WHITE	DATE : 09/18/17
CHECKED BY : T.M. FORD	DATE : 09/27/17
DRAWN BY : TLA 10/05	REV. 10/1/11 MAA/GM
CHECKED BY : GM 5/06	REV. 12/21/11 MAA/GM
	REV. 6/13 MAA/GM

PLANS PREPARED BY:
Gannett Fleming
 Excellence Delivered As Promised
 2610 Wycliff Road
 Suite 102
 Raleigh, NC 27607-3073
 (919) 420-7660
 NC Lic. No. F-0270

DOCUMENT NOT CONSIDERED
 FINAL UNLESS ALL
 SIGNATURES COMPLETED

REVISIONS						SHEET NO.
NO.	BY:	DATE:	NO.	BY:	DATE:	S01-22
1			3			TOTAL SHEETS
2			4			24