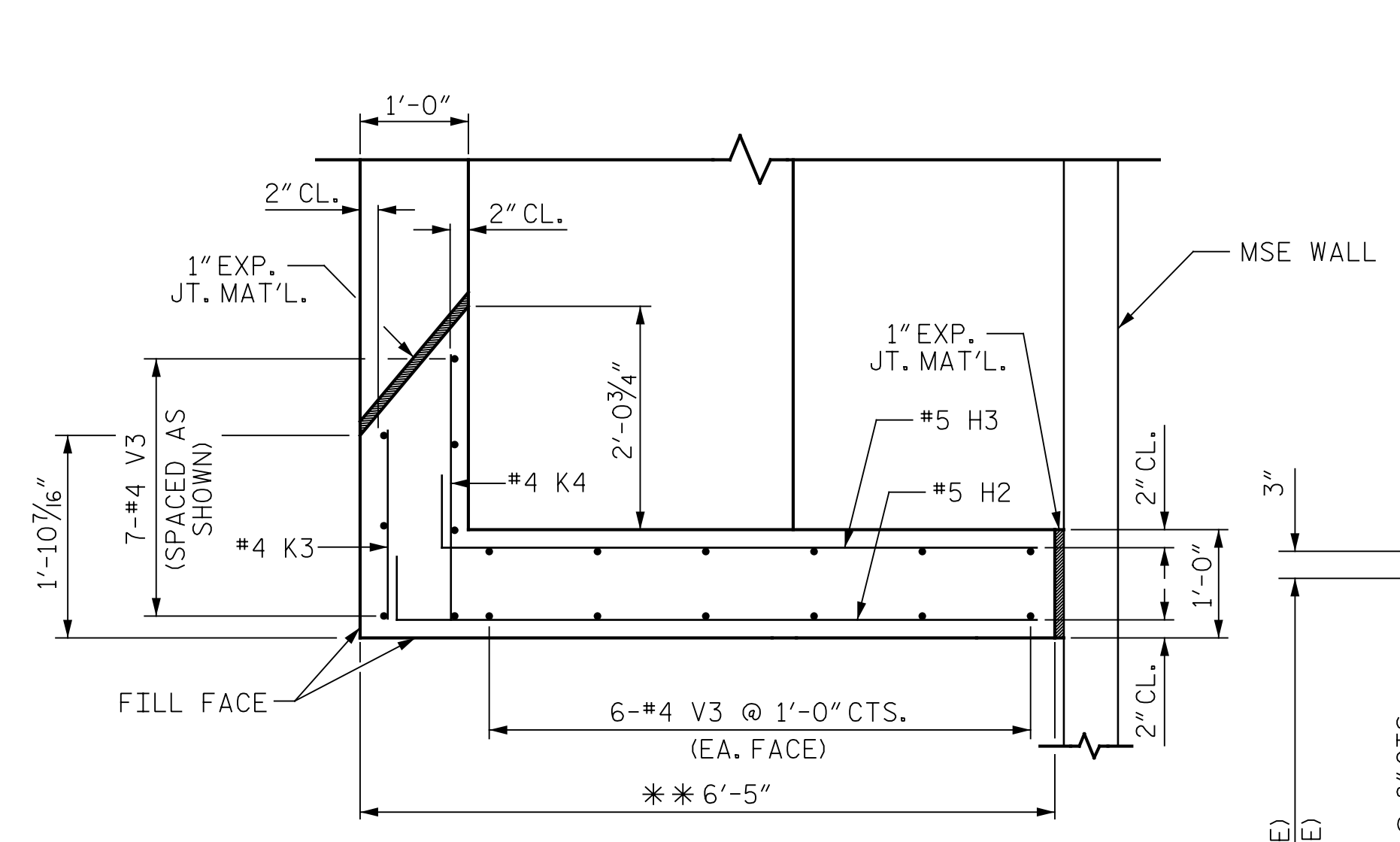
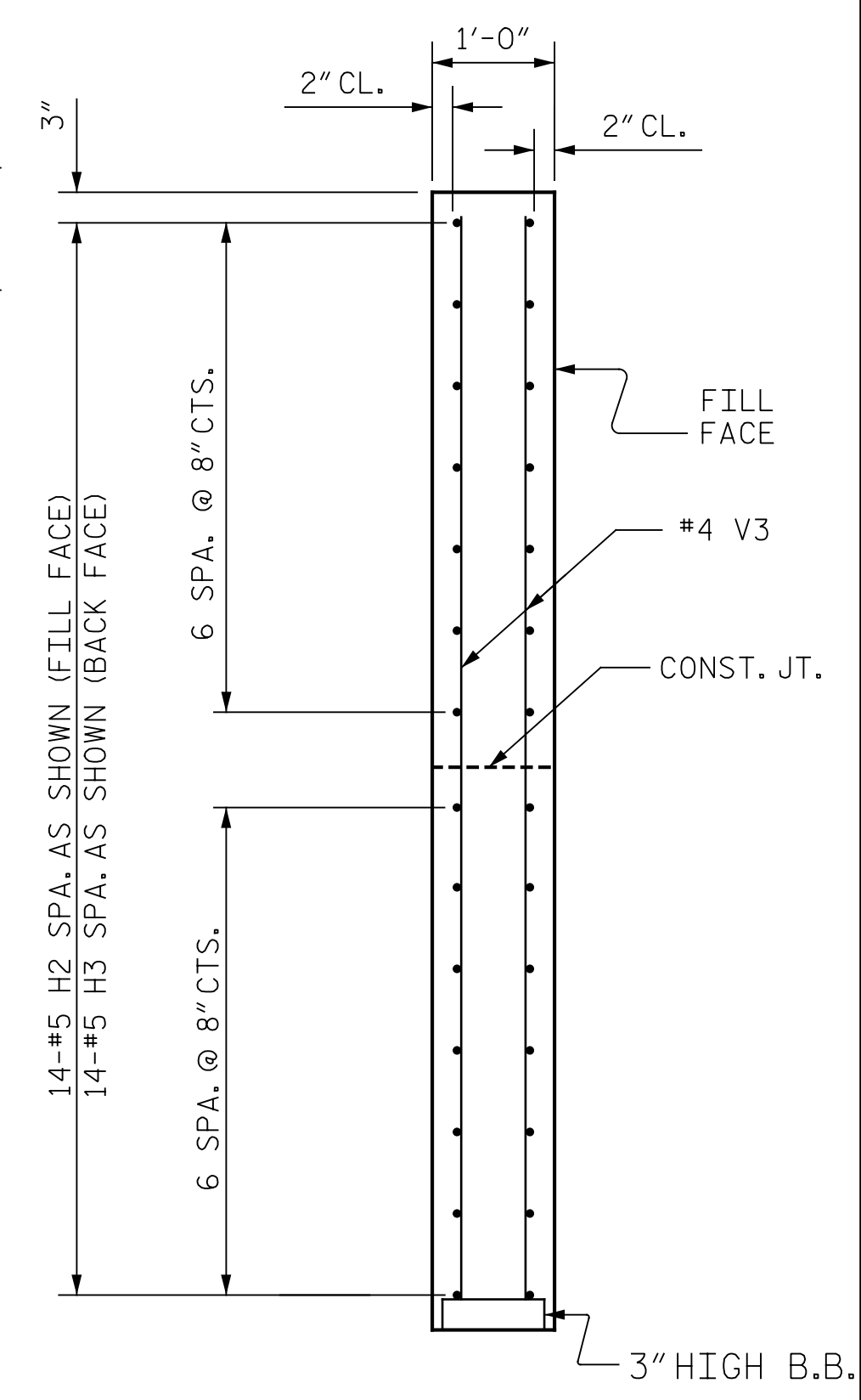


PLAN OF WING (W1)

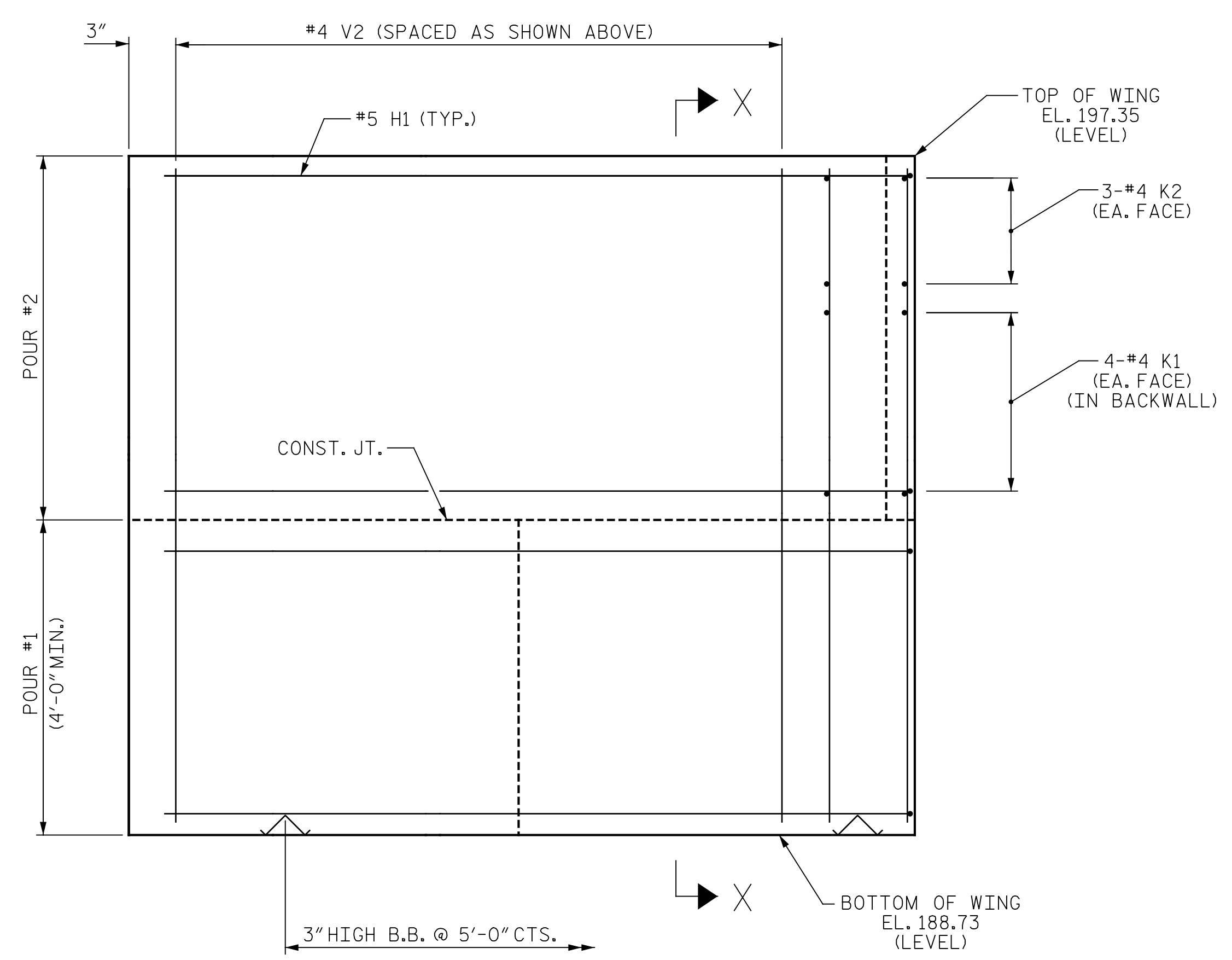


PLAN OF WING (W2)

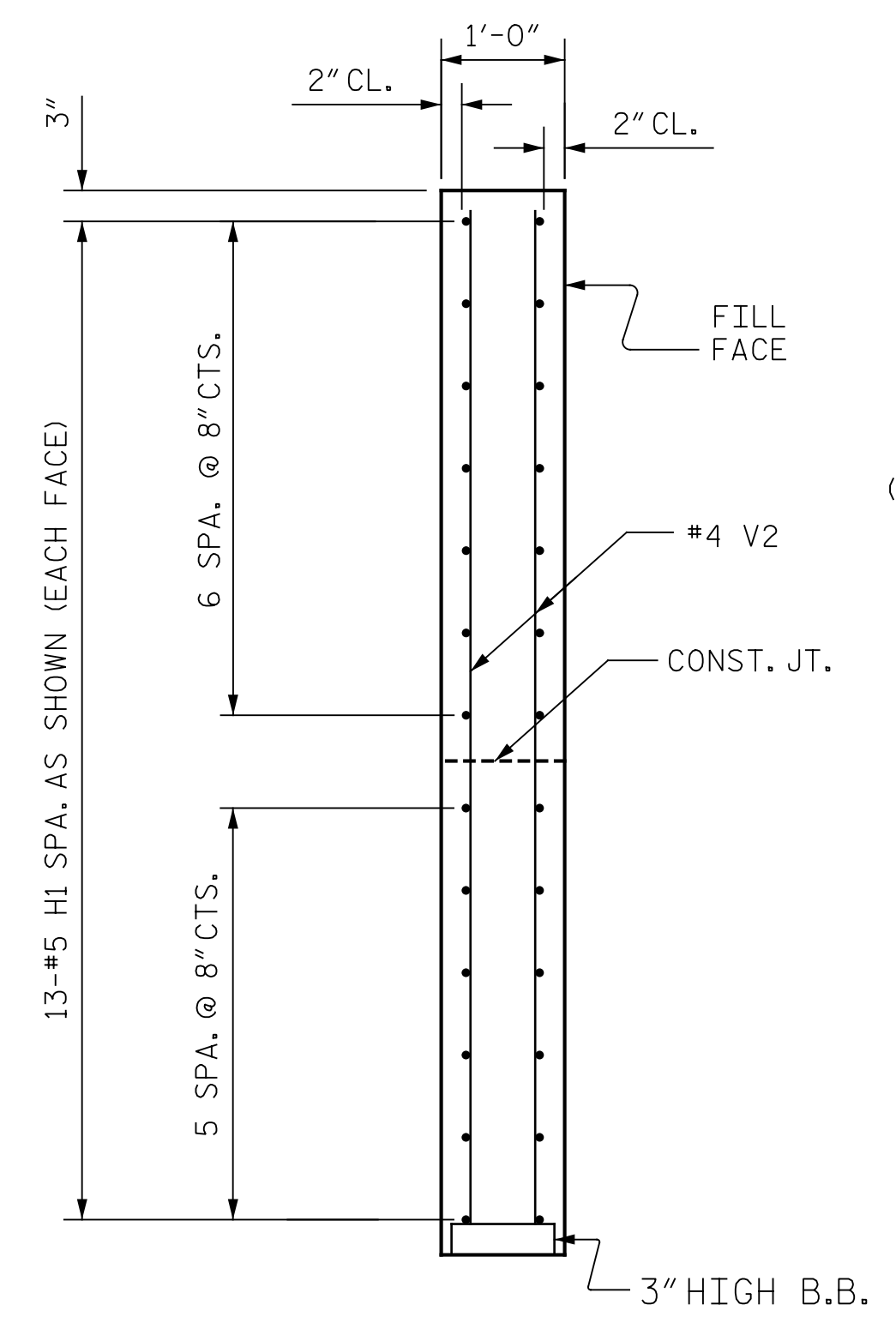
** CONTRACTOR SHALL VERIFY WING WALL LENGTH BASED ON MSE WALL DESIGN AND MODIFY THE WING WALL LENGTH ACCORDINGLY, SUCH THAT THE WING WALL AND 1\"/>



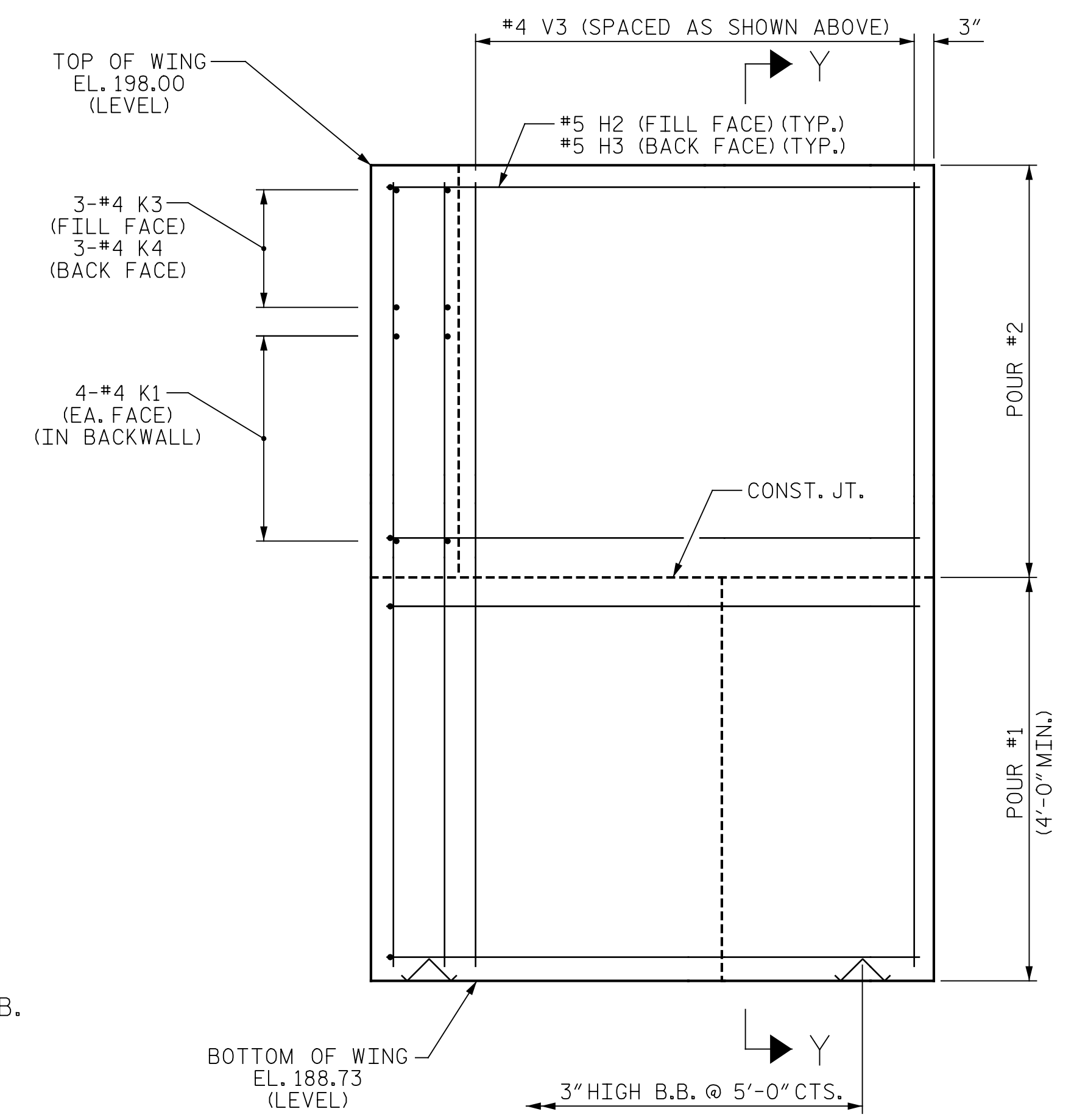
SECTION Y-Y



ELEVATION OF WING (W1)

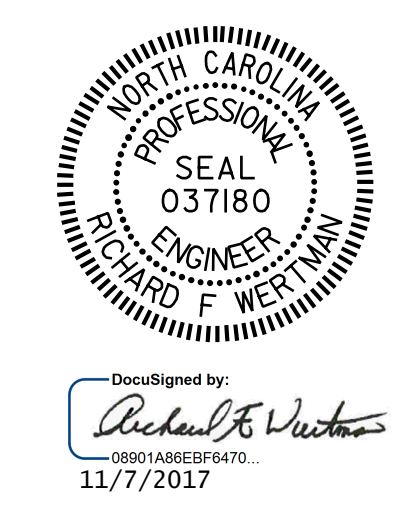


SECTION X-X



ELEVATION OF WING (W2)

PROJECT NO. 41665.7A
 CUMBERLAND COUNTY
 STATION: 21+57.23 -L-
 109+69.94 -L2-
 SHEET 2 OF 3



STATE OF NORTH CAROLINA
 DEPARTMENT OF TRANSPORTATION
 RALEIGH

SUBSTRUCTURE
 END BENT #1

DRAWN BY : J.A. BOYER	DATE : 09/28/17
CHECKED BY : J.M. FORD	DATE : 10/03/17
DESIGN ENGINEER OF RECORD : R.F. WERTMAN	DATE : 11/06/17

PLANS PREPARED BY:
Gannett Fleming
 Excellence Delivered As Promised

2610 Wycliff Road
 Suite 102
 Raleigh NC 27607-3073
 (919) 420-7660
 NC Lic. No. F-0270

DOCUMENT NOT CONSIDERED FINAL UNLESS ALL SIGNATURES COMPLETED

REVISIONS						SHEET NO.
NO.	BY:	DATE:	NO.	BY:	DATE:	TOTAL SHEETS
1			3			24
2			4			