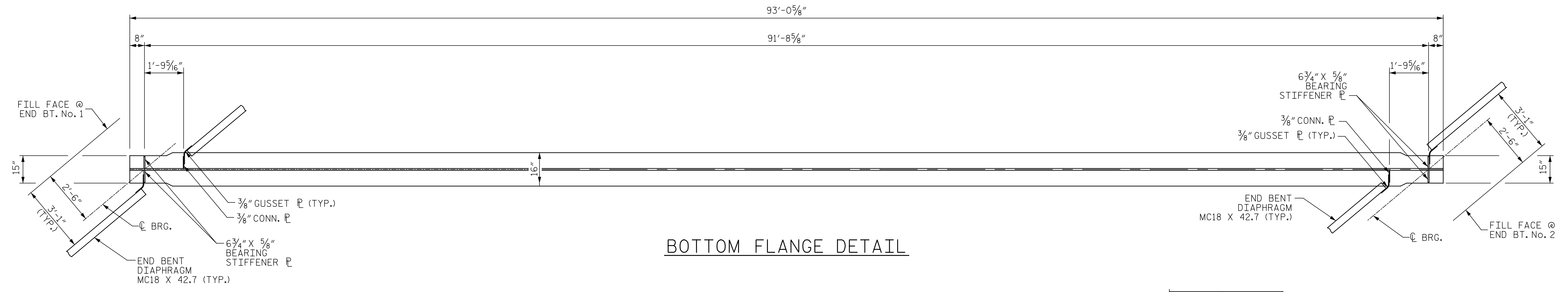
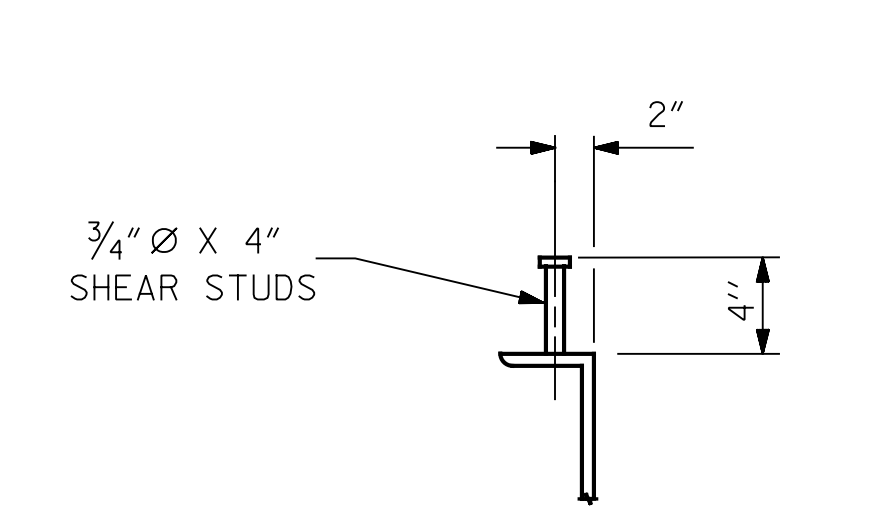


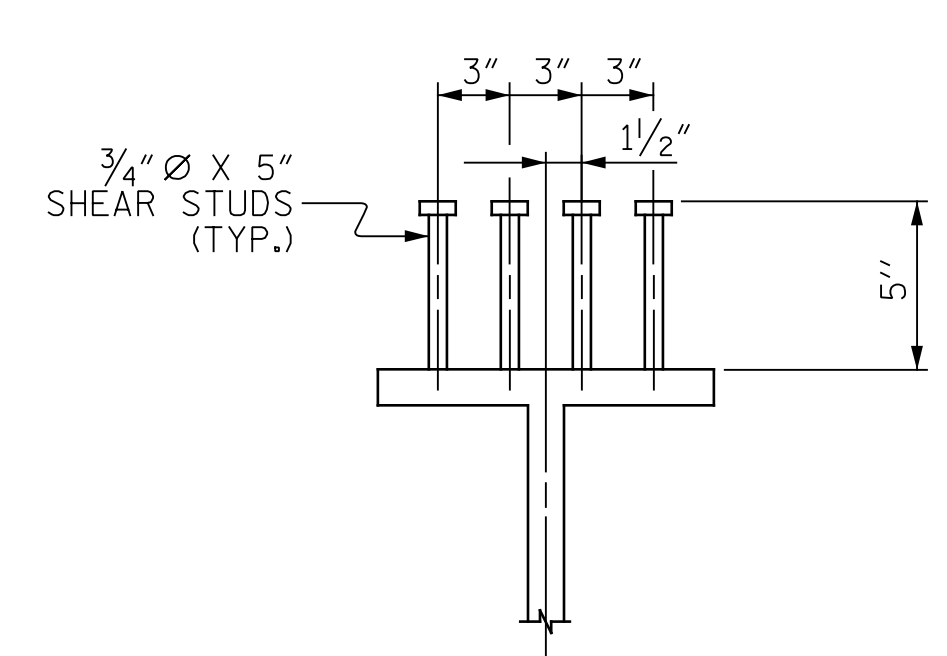
GIRDER ELEVATION
(INTERMEDIATE DIAPHRAGMS NOT SHOWN)



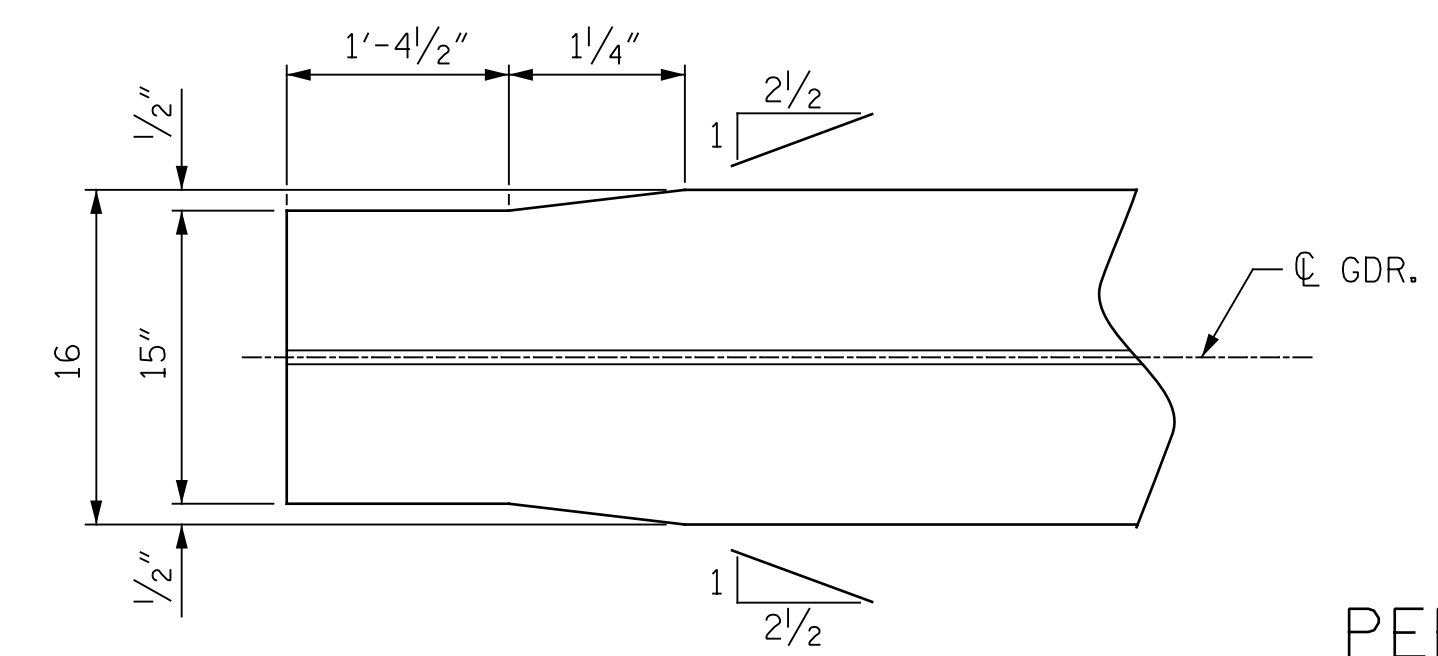
BOTTOM FLANGE DETAIL



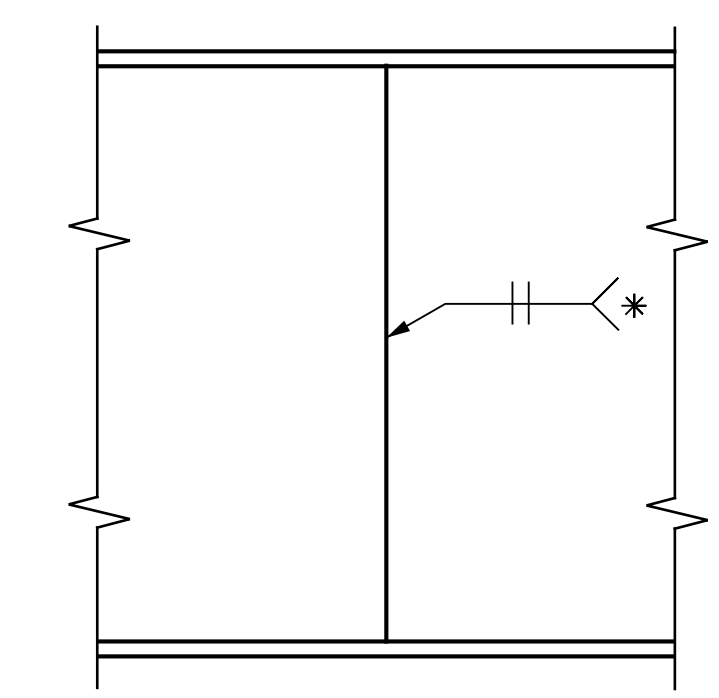
SHEAR STUD DETAILS
(TYP. EACH END BENT DIAPHRAGM)



SHEAR STUD DETAILS
(TYP. EACH GIRDER)

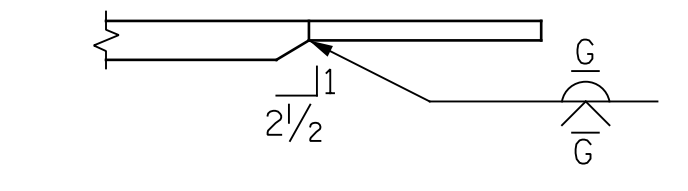


END OF GIRDER DETAIL
(BOTTOM FLANGE ONLY)

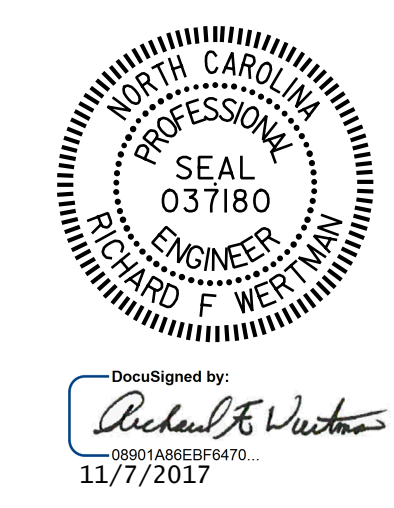


PERMISSIBLE SHOP WEB SPLICE

* GRIND SMOOTH AND FLUSH ON OUTSIDE OF EXTERIOR GIRDERS



SECTION THRU FLANGE



PROJECT NO. 41665.7A
CUMBERLAND COUNTY
STATION: 21+57.23 -L-
109+69.94 -L2-

SHEET 1 OF 2
STATE OF NORTH CAROLINA
DEPARTMENT OF TRANSPORTATION
RALEIGH
SUPERSTRUCTURE
STRUCTURAL STEEL

DRAWN BY : B.A. WHITE DATE : 09/06/17
CHECKED BY : R.F. WERTMAN DATE : 09/26/17
DESIGN ENGINEER OF RECORD : R.F. WERTMAN DATE : 11/06/17

PLANS PREPARED BY:
Gannett Fleming
2610 Wycliff Road
Suite 102
Raleigh, NC 27607-3073
(919) 420-7660
NC Lic. No. F-0270
Excellence Delivered As Promised

DOCUMENT NOT CONSIDERED
FINAL UNLESS ALL
SIGNATURES COMPLETED

REVISIONS				SHEET NO.	
NO.	BY:	DATE:	NO.	BY:	DATE:
1			3		
2			4		

TOTAL SHEETS: 24