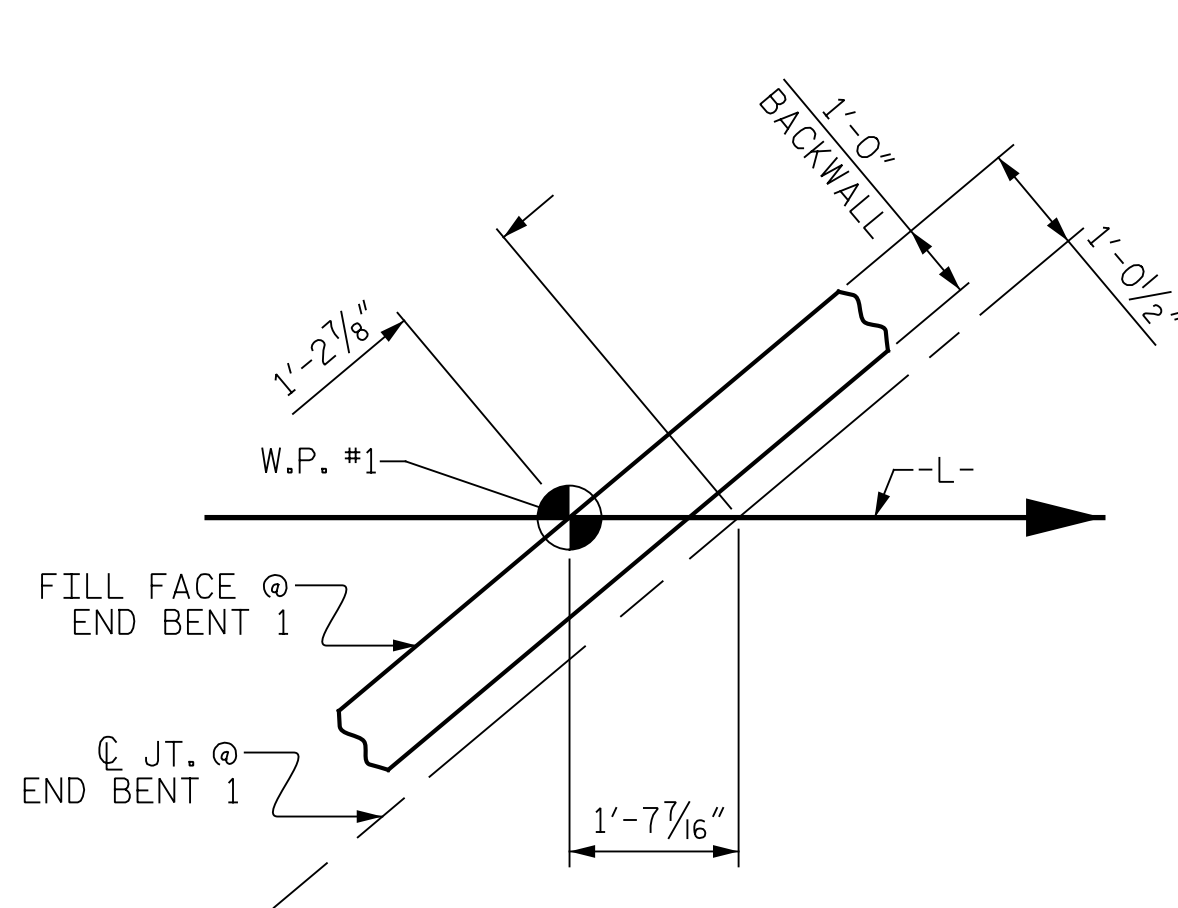
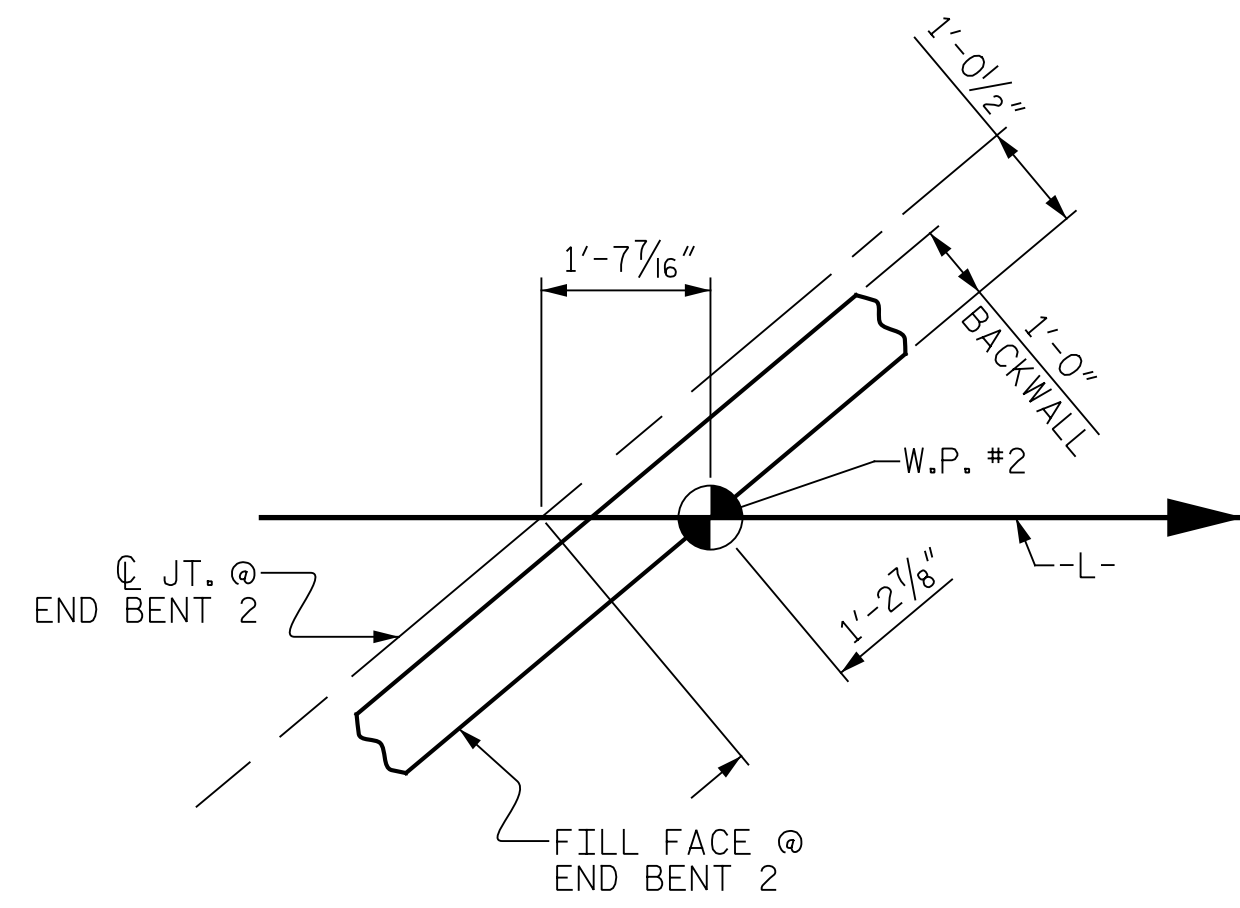


PLAN OF SPAN A

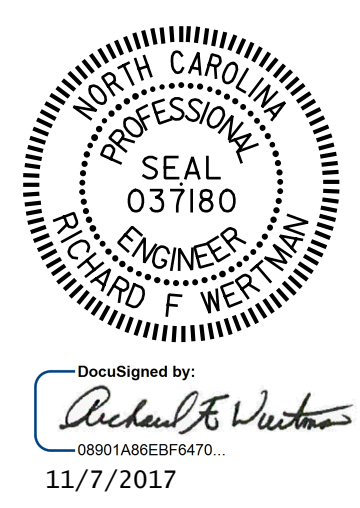


DETAIL "A"



DETAIL "B"

PROJECT NO. 41665.7A
CUMBERLAND COUNTY
 STATION: 21+57.23 -L-
109+69.94 -L2-



STATE OF NORTH CAROLINA
 DEPARTMENT OF TRANSPORTATION
 RALEIGH
 SUPERSTRUCTURE
 PLAN OF SPAN

DRAWN BY : B.A. WHITE DATE : 09/18/17
 CHECKED BY : R.F. WERTMAN DATE : 09/25/17
 DESIGN ENGINEER OF RECORD : R.F. WERTMAN DATE : 11/06/17

PLANS PREPARED BY:
Gannett Fleming
 Excellence Delivered As Promised
 2610 Wycliff Road
 Suite 102
 Raleigh, NC 27607-3073
 (919) 420-7660
 NC Lic. No. F-0270

DOCUMENT NOT CONSIDERED
 FINAL UNLESS ALL
 SIGNATURES COMPLETED

REVISIONS						SHEET NO.
NO.	BY:	DATE:	NO.	BY:	DATE:	S01-6
1			3			TOTAL SHEETS
2			4			24