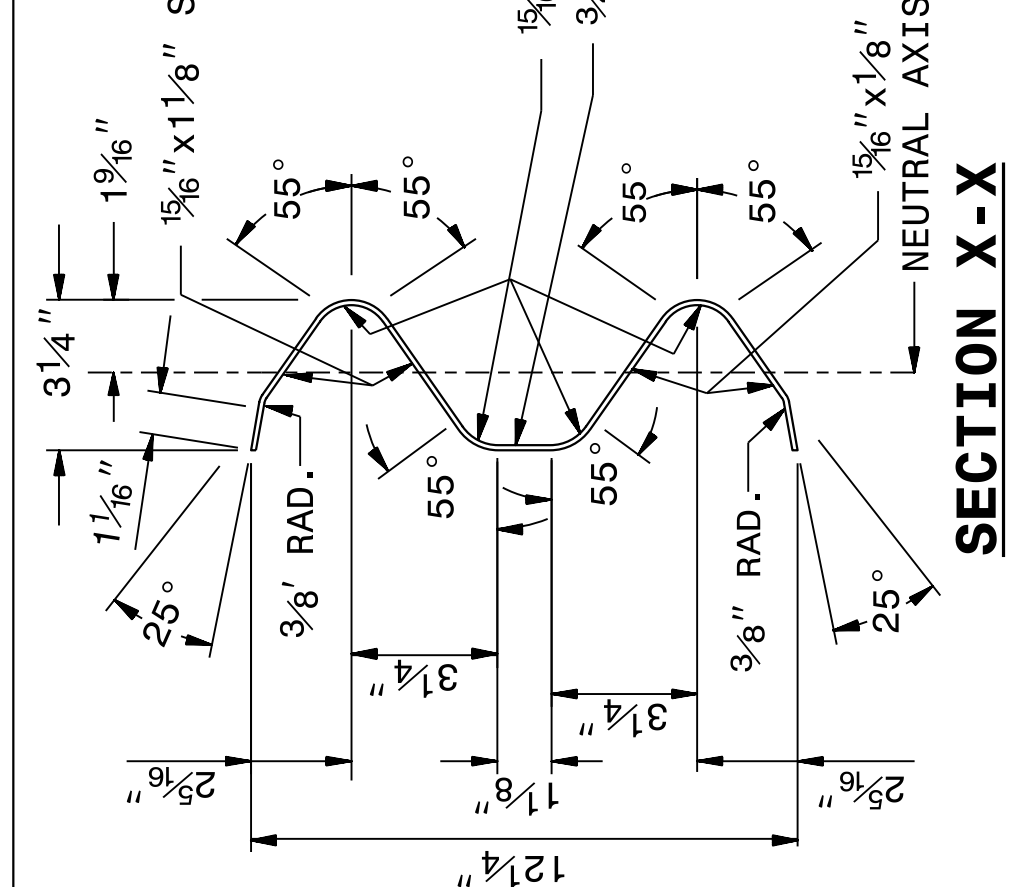
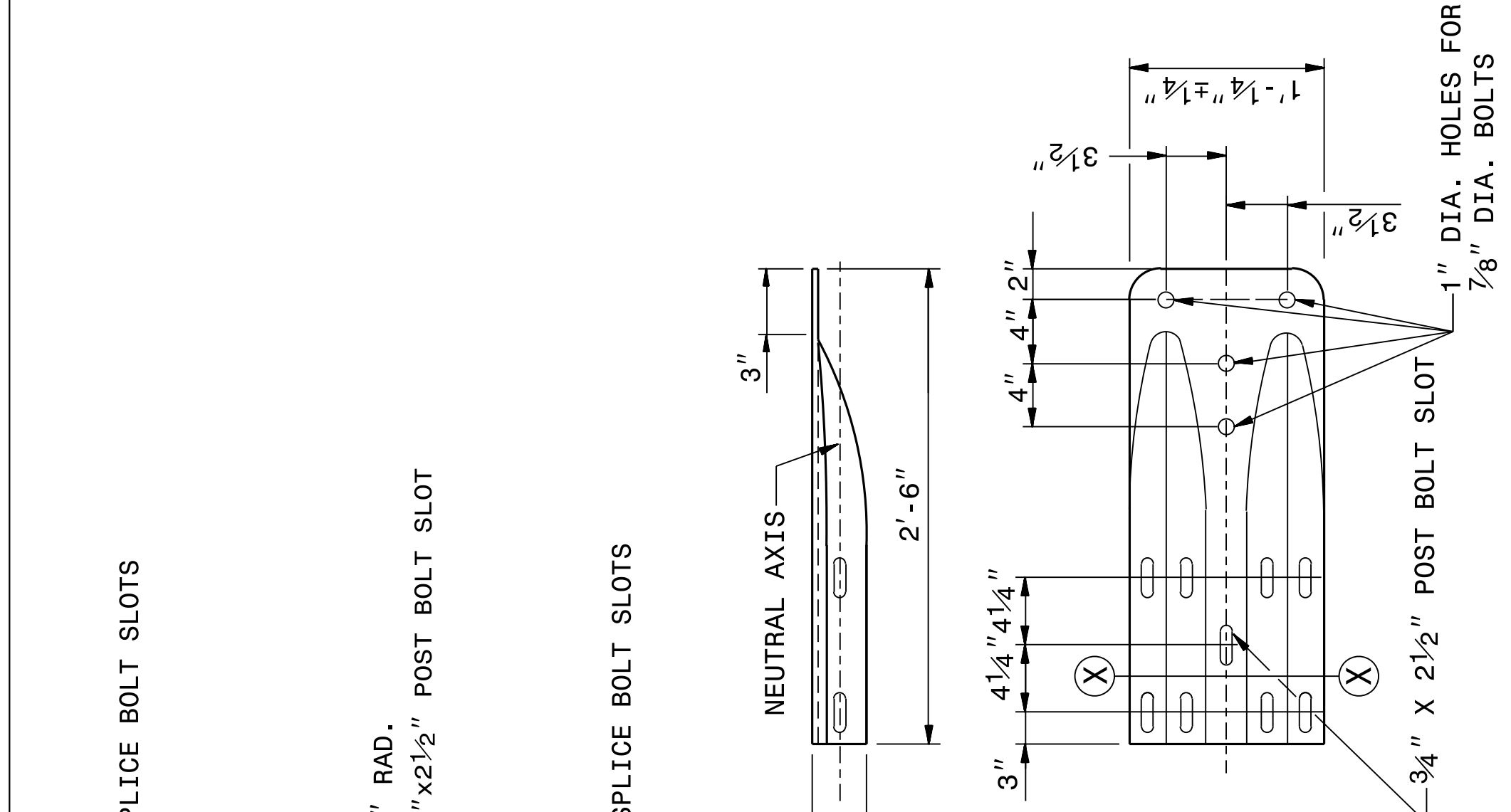


04-MAY-2017 15:21
 S:\Contracts\Construction\Special Details\Standard Drawings\Details in Lieu of Standards\Division 8\862d01 862d03 862d03\862d02.dgn
 Jhowerton - N1 CSP-21593

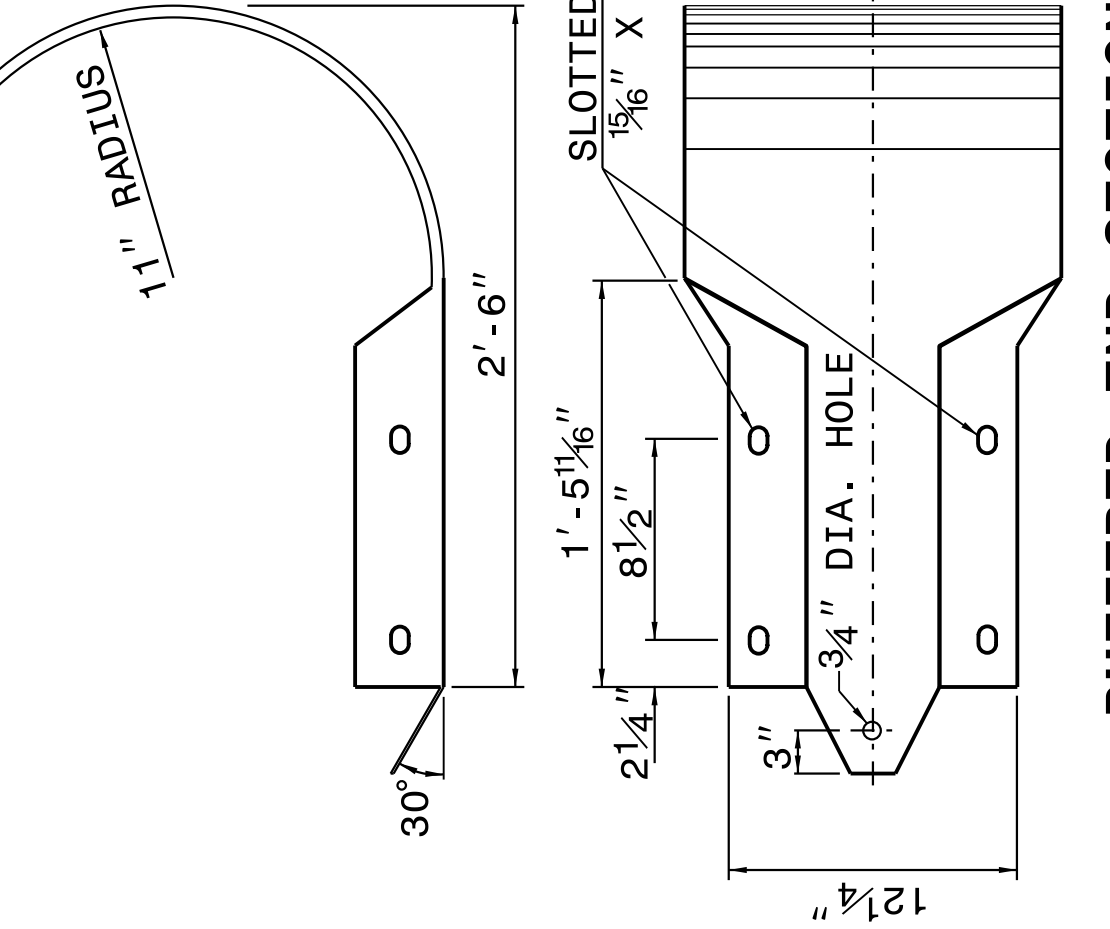
STATE OF
NORTH CAROLINA
DIVISION OF HIGHWAYS
RALEIGH, N.C.

ROADWAY DETAIL DRAWING FOR
GUARDRAIL INSTALLATION

SHEET 8 OF 8
862D02



SECTION X-X



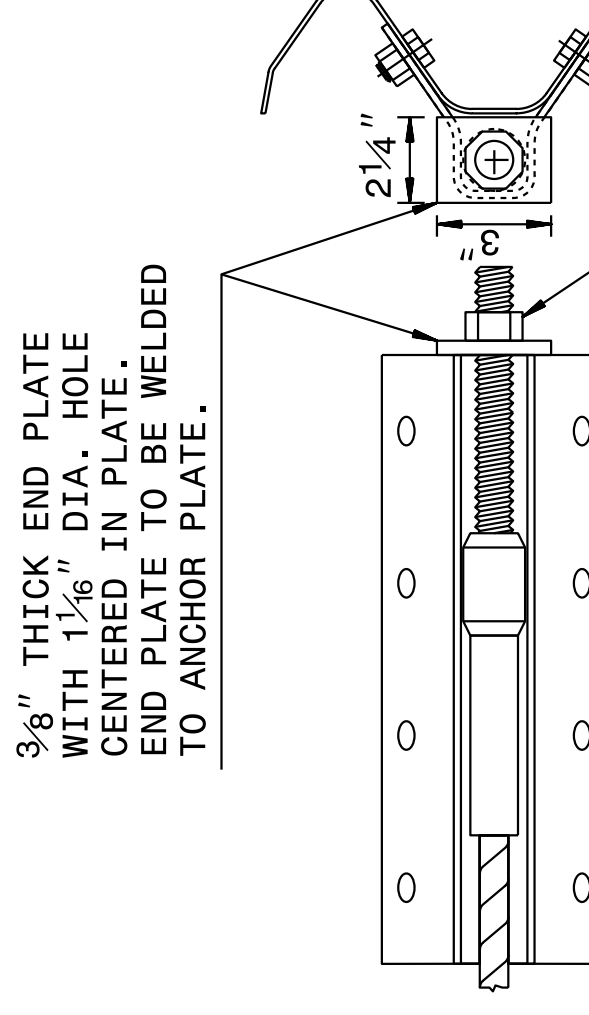
BUFFERED END SECTION

SYSTEM PARTS - GENERAL USE

STATE OF
NORTH CAROLINA
DIVISION OF HIGHWAYS
RALEIGH, N.C.

ROADWAY DETAIL DRAWING FOR
GUARDRAIL INSTALLATION

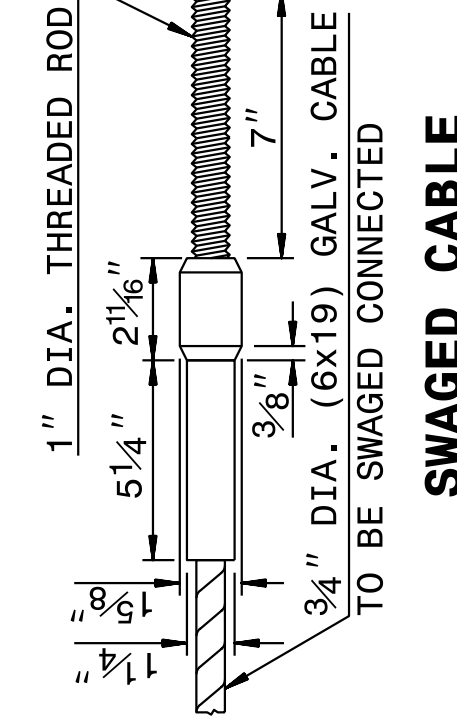
SHEET 7 OF 8
862D02



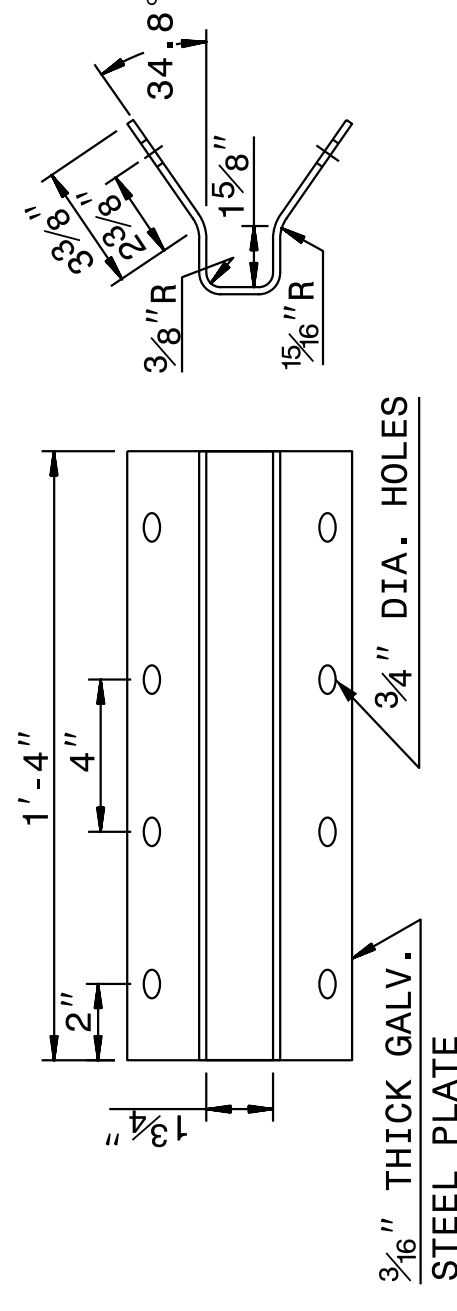
3/8" THICK END PLATE WITH 1 1/16" DIA. HOLE CENTERED IN PLATE. END PLATE TO BE WELDED TO ANCHOR PLATE.

5/8" HEX HEAD BOLT WITH WASHER UNDER NUT (8 REQUIRED PER ASSEMBLY)

ANCHOR PLATE ASSEMBLY

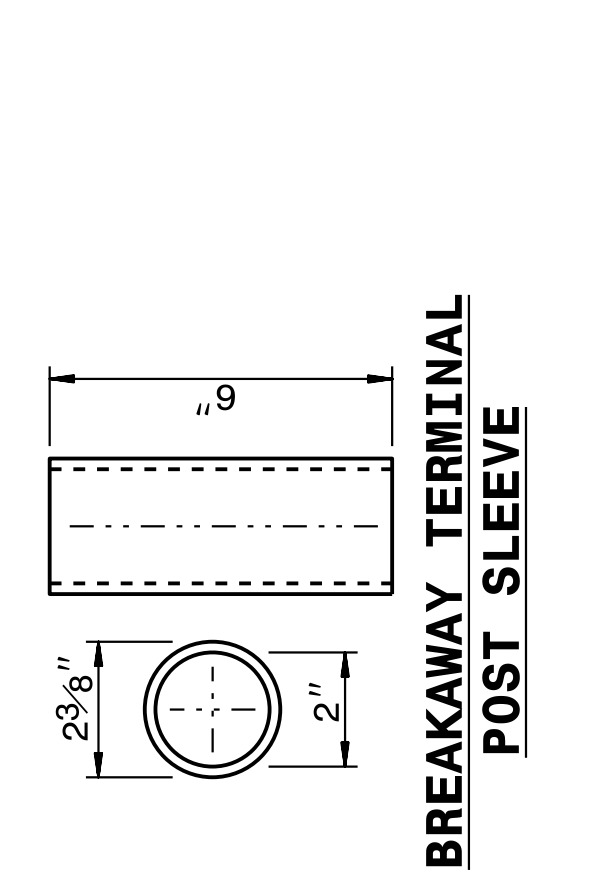


SWAGED CABLE

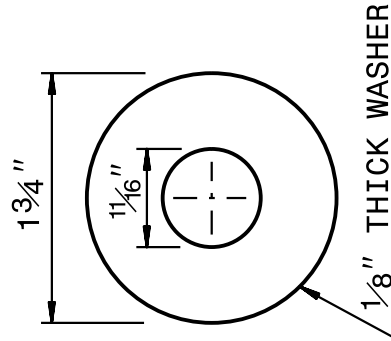


ANCHOR PLATE

CABLE ASSEMBLY

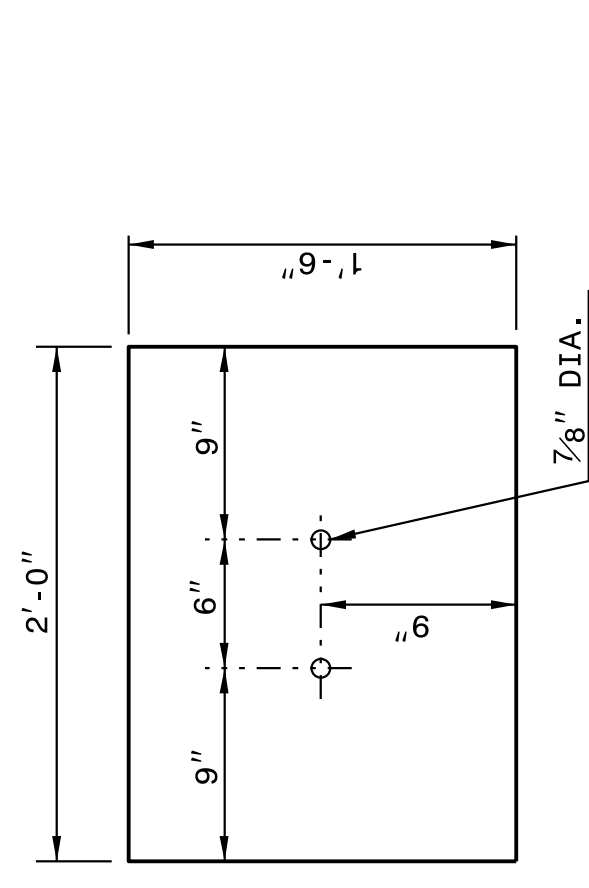


BREAKAWAY TERMINAL POST SLEEVE



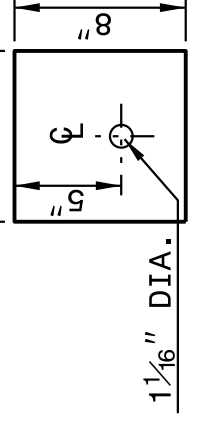
DETAIL OF STANDARD WASHER

STANDARD WASHER: TYPICAL USE UNDER NUT WITH WOOD POST



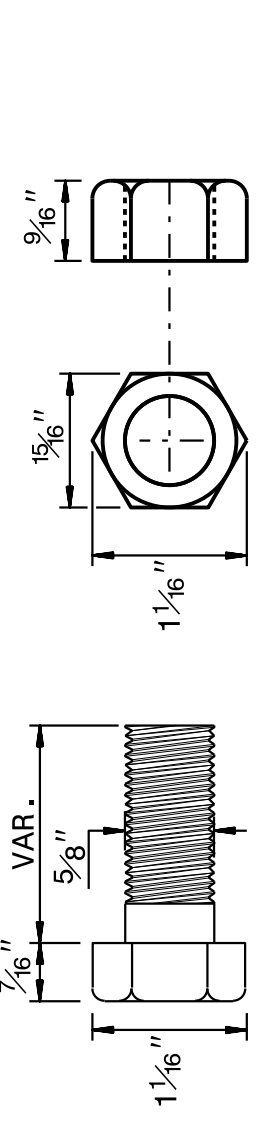
SOIL PLATE

1/4" THICK PLATE

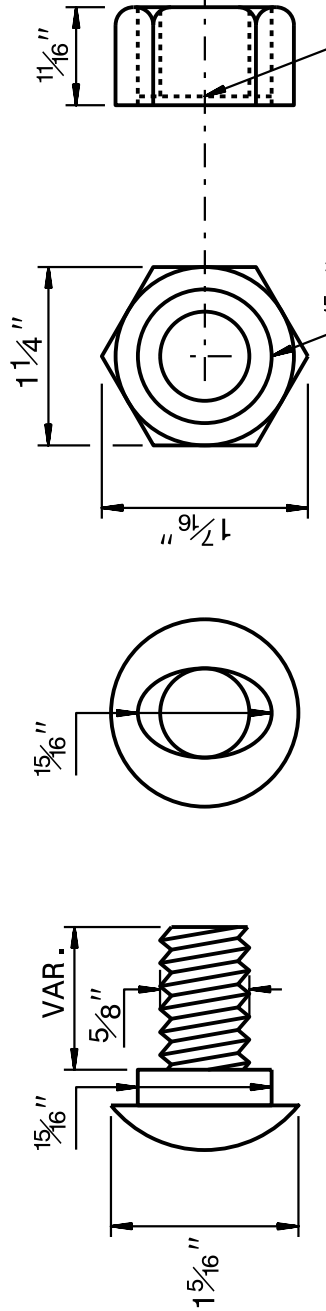


BEARING PLATE

5/8" THICK PLATE



DETAIL OF STANDARD HEX BOLT AND NUT



DETAIL OF BUTTON HEAD BOLT AND NUT

SYSTEM PARTS

DOCUMENT NOT CONSIDERED FINAL
UNLESS ALL SIGNATURES COMPLETED

**CONTRACT STANDARDS
AND DEVELOPMENT UNIT**
Office 919-707-6950 FAX 919-250-4119

SEE TITLE BLOCK

ORIGINAL BY: J HOWERTON	DATE: 06-22-12
MODIFIED BY:	DATE:
CHECKED BY:	DATE:
FILE SPEC.:	

