

04-MAY-2017 15:20  
 S:\Contracts\Construction\Special Details\Standard Drawings\Details in Lieu of Standards\Division 8\862d01 862d03 862d02.dgn  
 Jhowerton - N1 CSP-24298

STATE OF  
NORTH CAROLINA  
DEPT. OF TRANSPORTATION  
DIVISION OF HIGHWAYS  
RALEIGH, N.C.

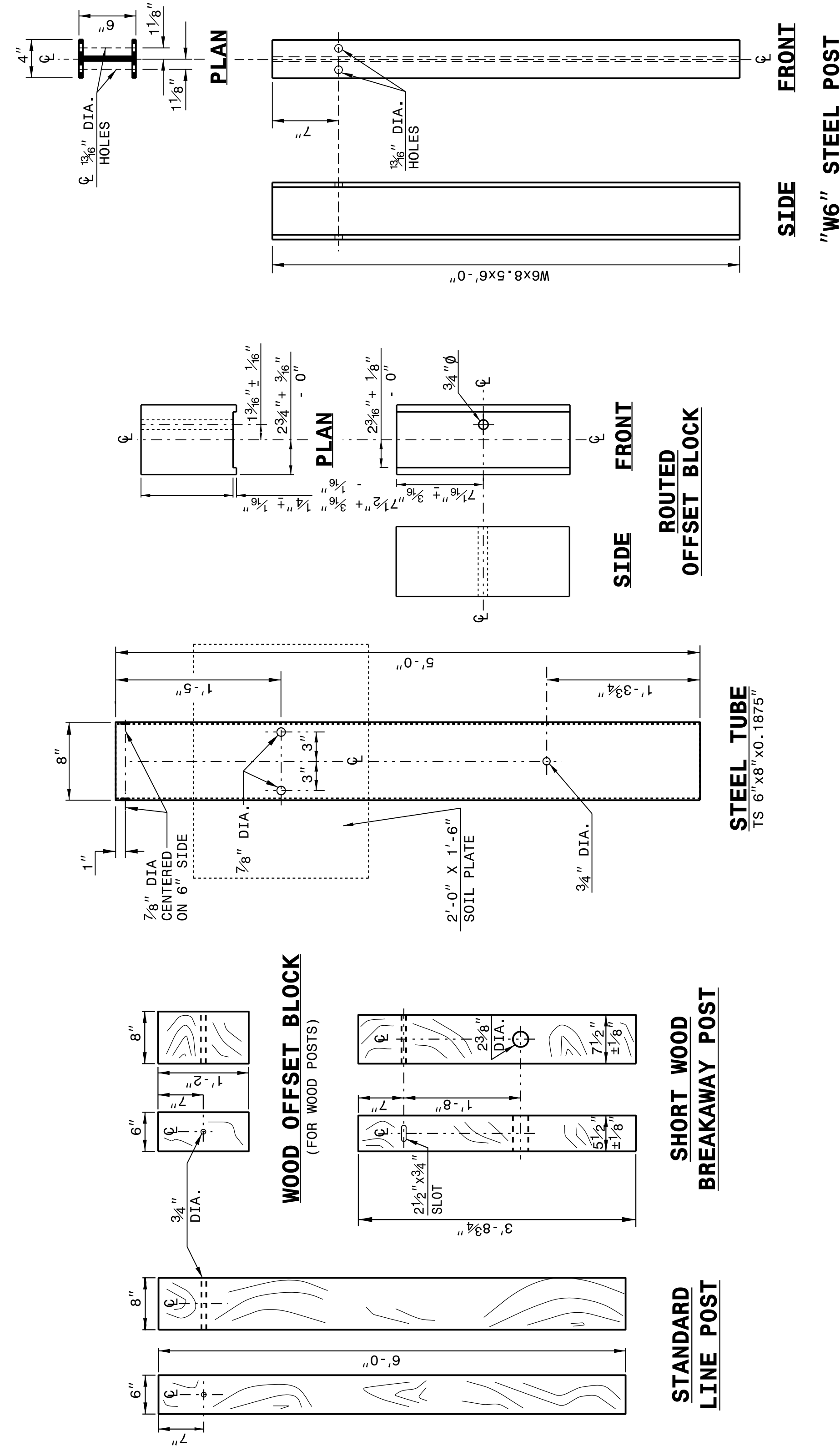
ROADWAY DETAIL DRAWING FOR  
**GUARDRAIL INSTALLATION**

SHEET 6 OF 8  
**862D02**

STATE OF  
NORTH CAROLINA  
DEPT. OF TRANSPORTATION  
DIVISION OF HIGHWAYS  
RALEIGH, N.C.

ROADWAY DETAIL DRAWING FOR  
**GUARDRAIL INSTALLATION**

SHEET 6 OF 8  
**862D02**



**SYSTEM PARTS**

STATE OF  
NORTH CAROLINA  
DEPT. OF TRANSPORTATION  
DIVISION OF HIGHWAYS  
RALEIGH, N.C.

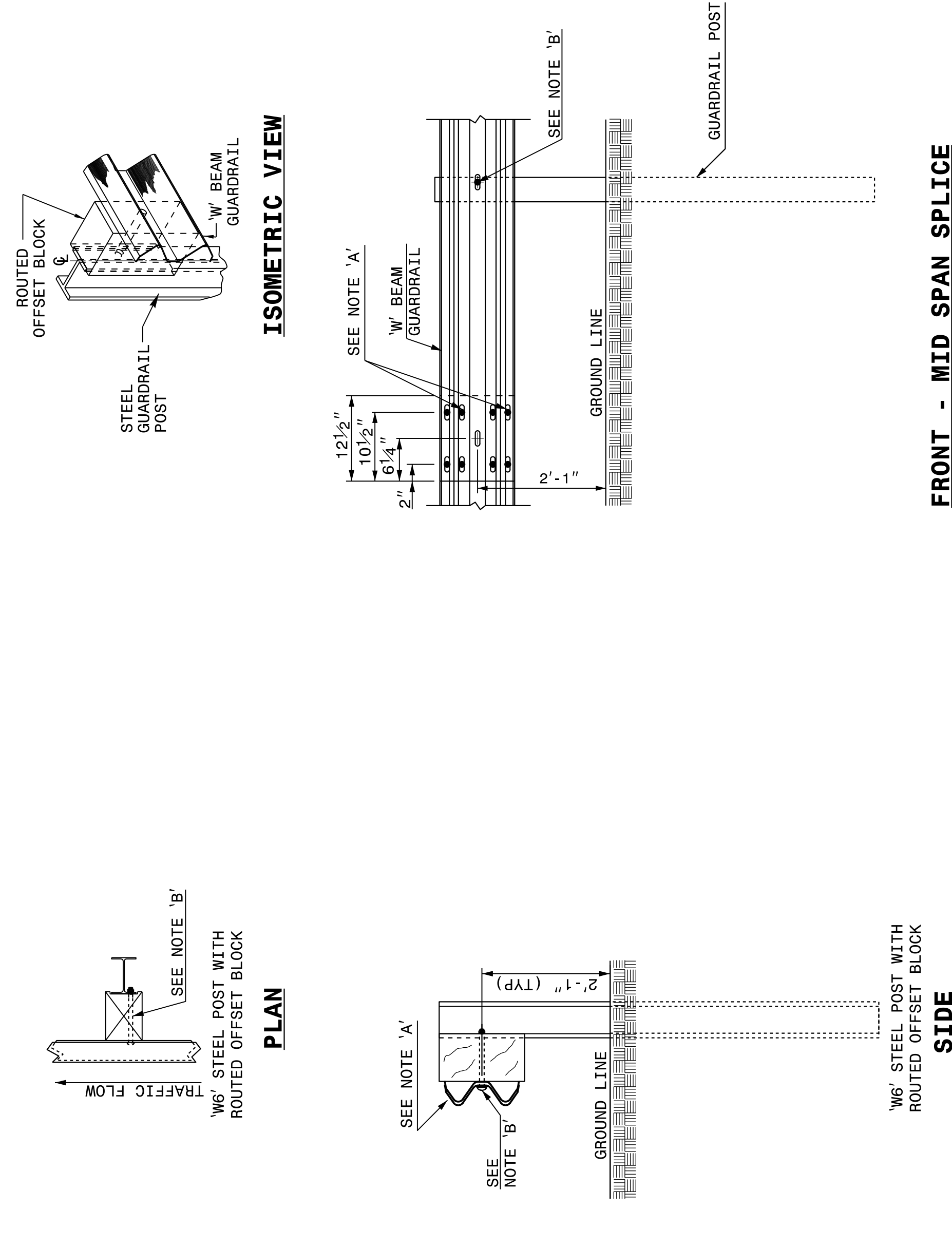
ROADWAY DETAIL DRAWING FOR  
**GUARDRAIL INSTALLATION**

SHEET 5 OF 8  
**862D02**

STATE OF  
NORTH CAROLINA  
DEPT. OF TRANSPORTATION  
DIVISION OF HIGHWAYS  
RALEIGH, N.C.

ROADWAY DETAIL DRAWING FOR  
**GUARDRAIL INSTALLATION**

SHEET 5 OF 8  
**862D02**



**NOTES:**  
 A - 5/8" DIA. BUTTON HEAD SPLICE BOLT 1 1/4" LONG (8 REQ. PER SPLICE JOINT).  
 B - 5/8" DIA. BUTTON HEAD BOLT 7 1/2" / 9" LONG WITH NUT FOR BOLTING 6" / 8" ROUTED OFFSET BLOCK TO STEEL POSTS.  
 C - FIELD PUNCHING OF HOLES INTO GUARDRAIL AS DIRECTED BY THE ENGINEER.

**TYPICAL GUARDRAIL AND GUARDRAIL POST ALTERNATIVES**

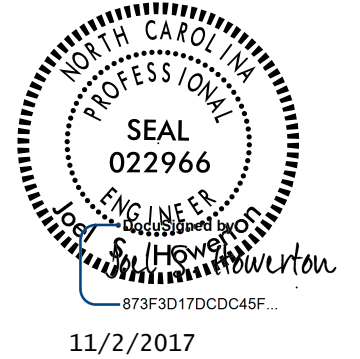
PROJECT REFERENCE NO. 41665.7A	SHEET NO. 2C-9
-----------------------------------	-------------------

DOCUMENT NOT CONSIDERED FINAL  
UNLESS ALL SIGNATURES COMPLETED

**CONTRACT STANDARDS  
AND DEVELOPMENT UNIT**  
Office 919-707-6950 FAX 919-250-4119

**SEE TITLE BLOCK**

ORIGINAL BY: J HOWERTON DATE: 06-22-12  
 MODIFIED BY: DATE:  
 CHECKED BY: DATE:  
 FILE SPEC.:



11/2/2017