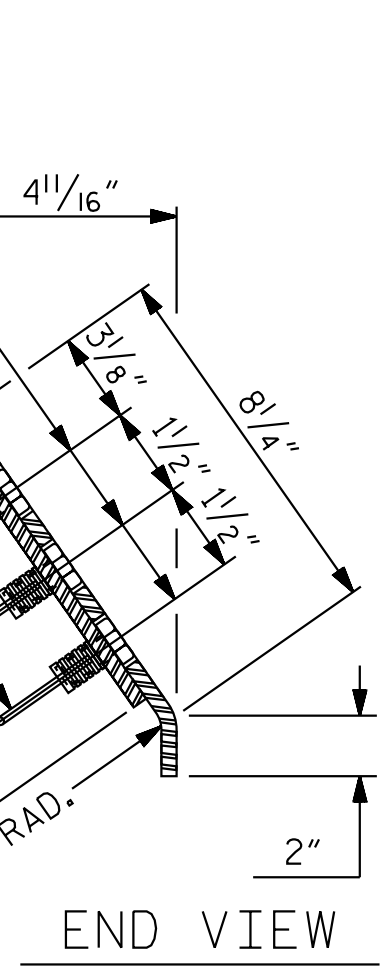
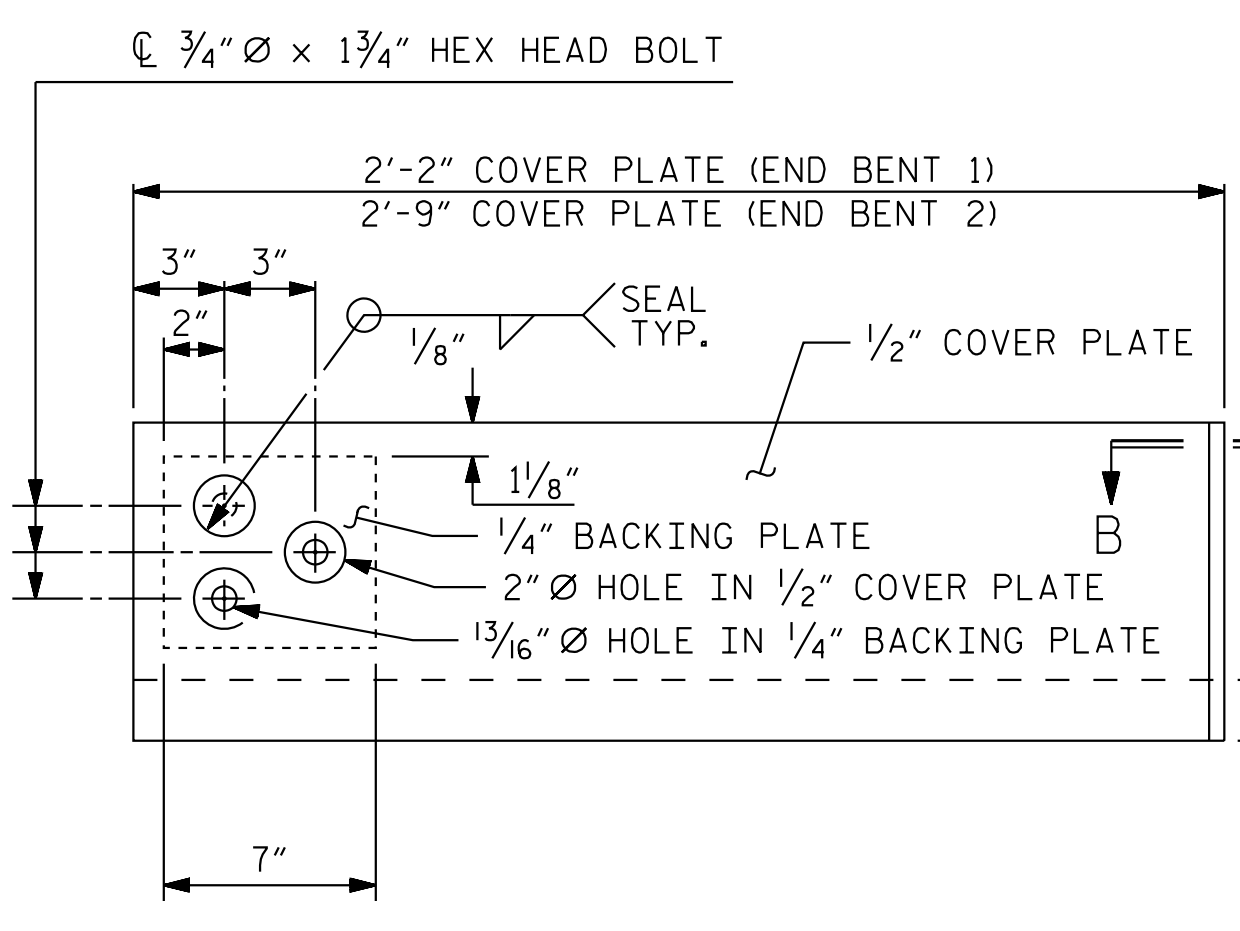


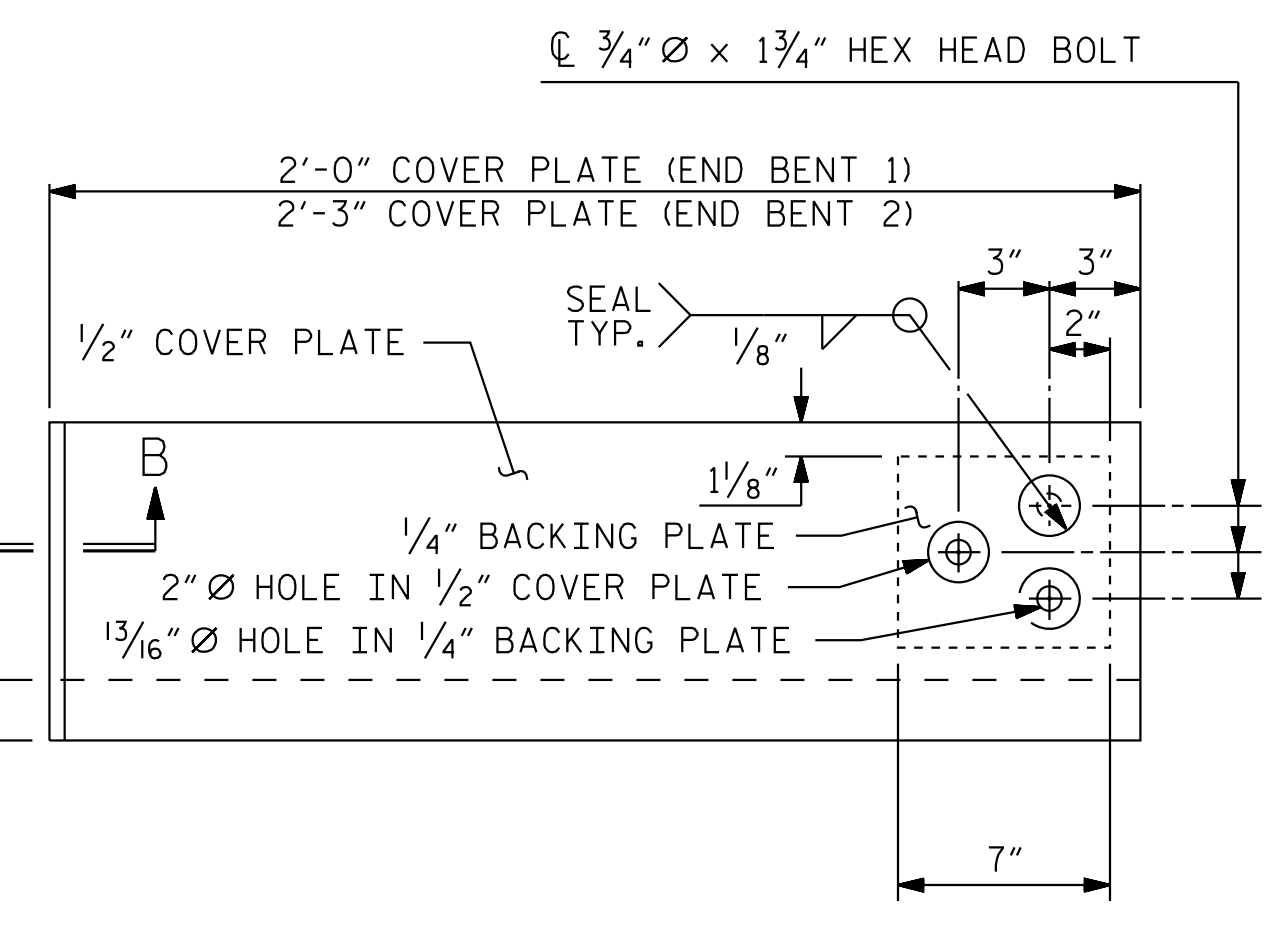
**SECTION THRU RAIL NORMAL TO JOINT**



**END VIEW**

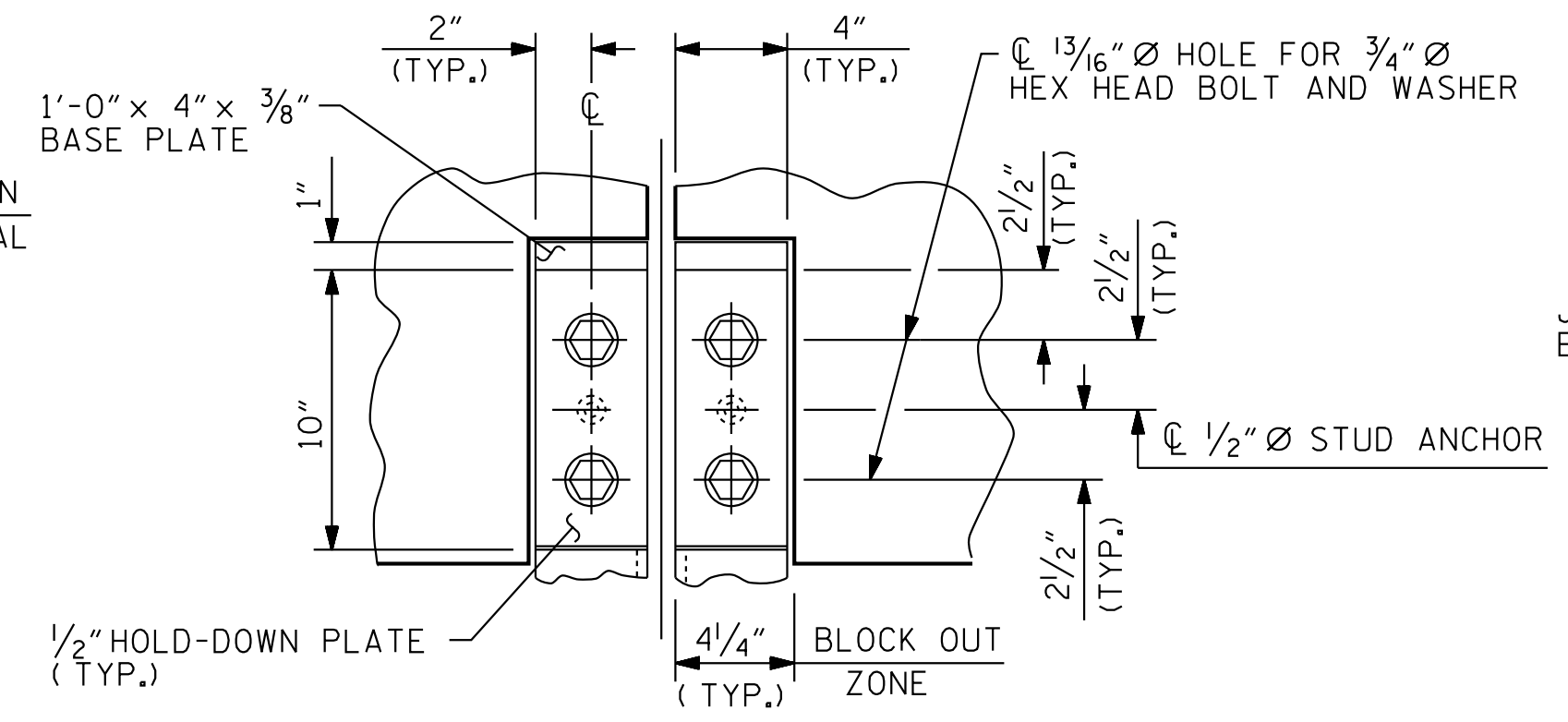


**TYPE I - ELEVATION VIEW**

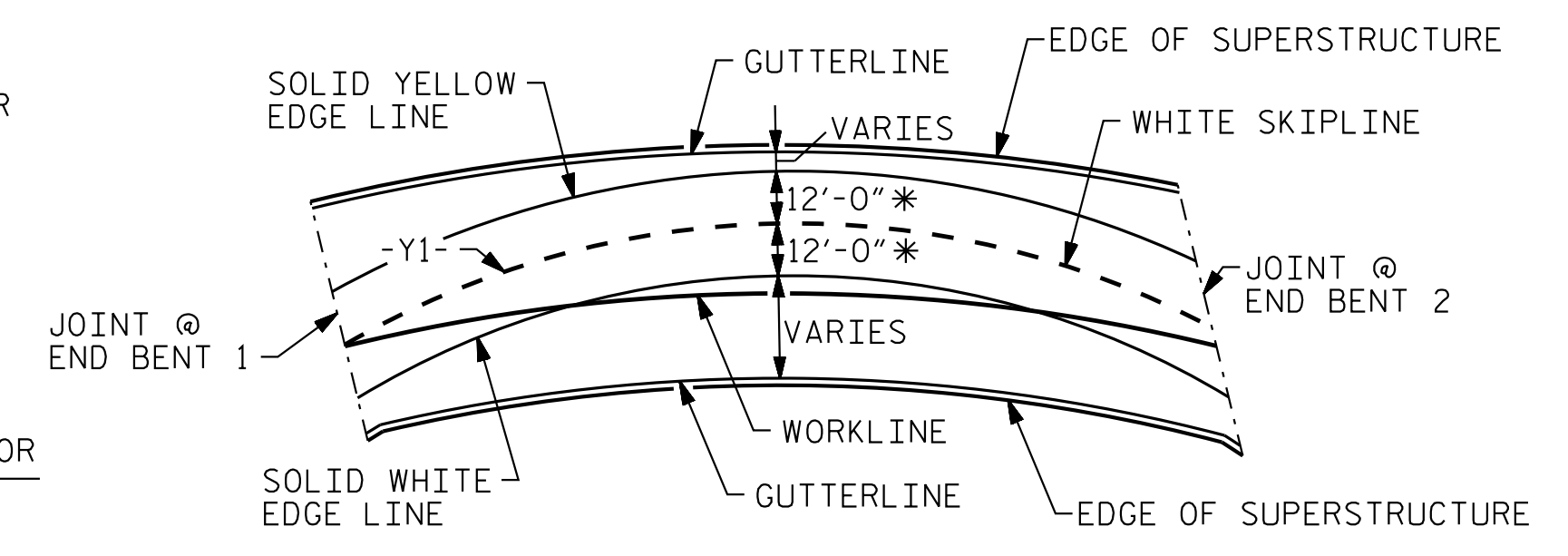


**TYPE II - ELEVATION VIEW**

**COVER PLATE DETAILS**

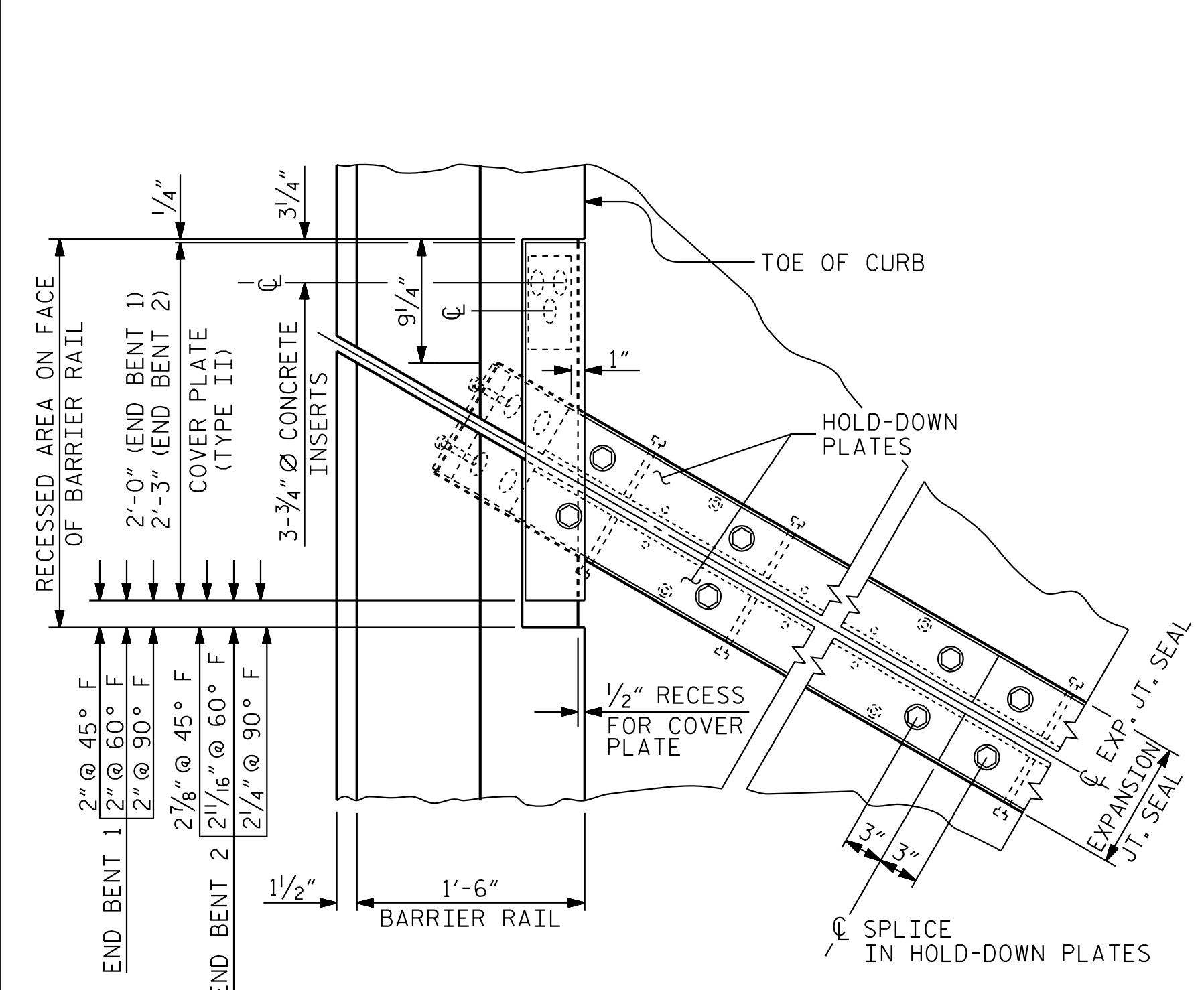


**SECTION A - A**

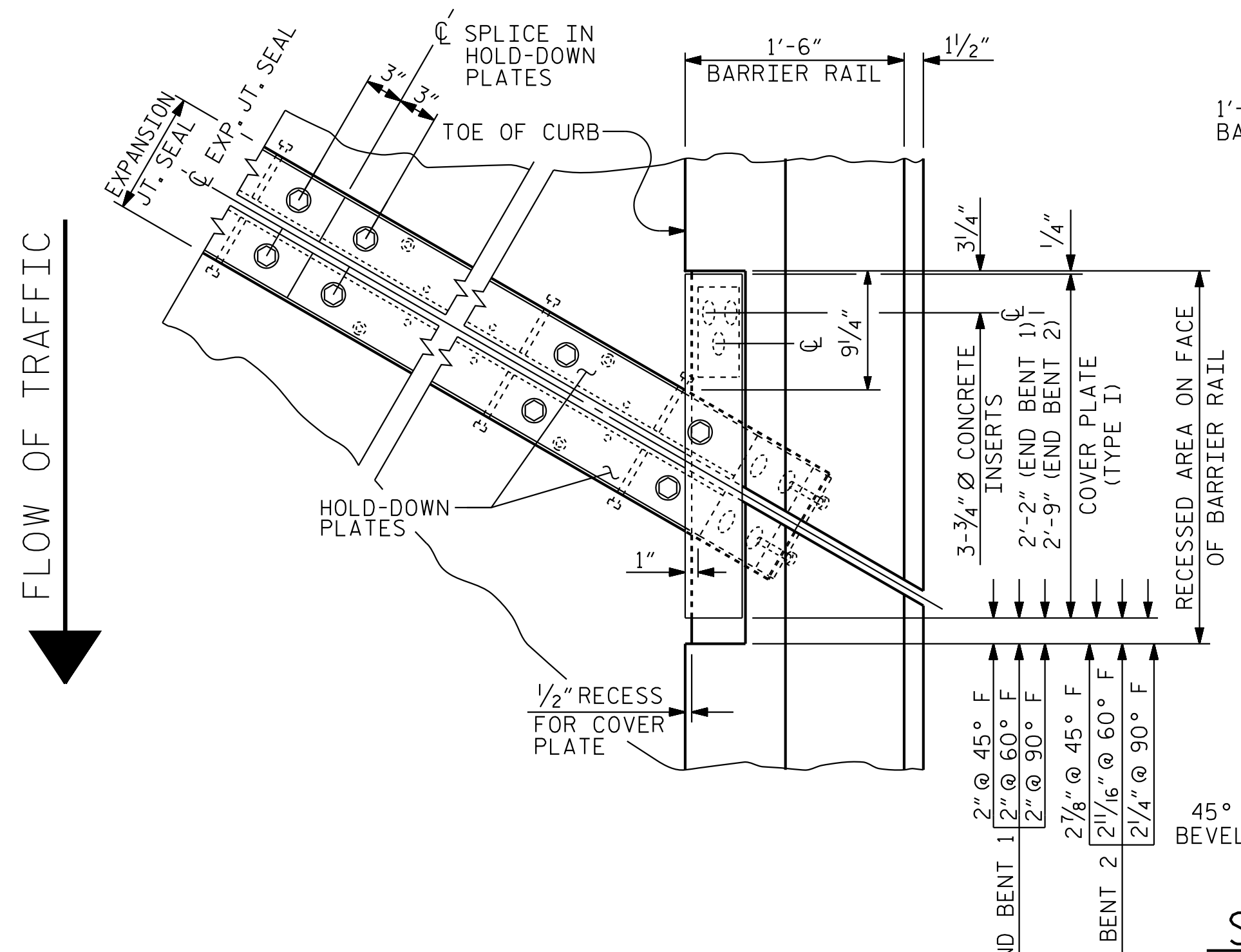


**PAVEMENT MARKING ALIGNMENT**

\* DENOTES RADIAL DIMENSION

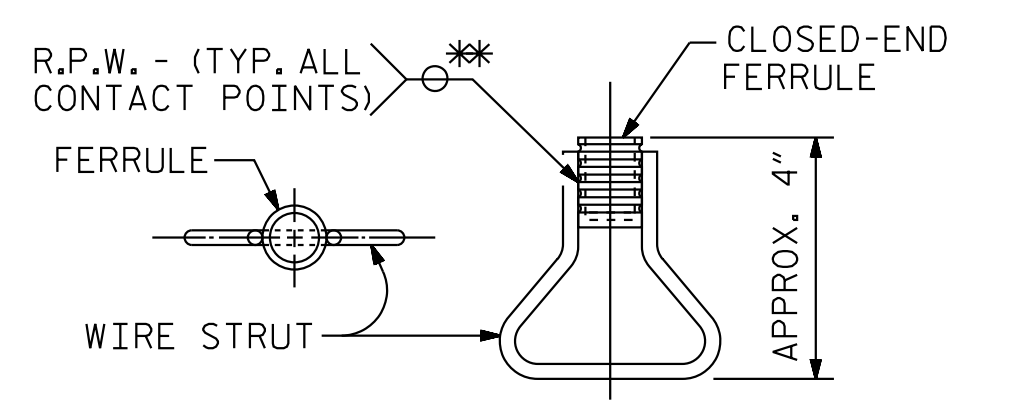


**PLAN OF EXPANSION JOINT SEAL**



**SECTION B - B**

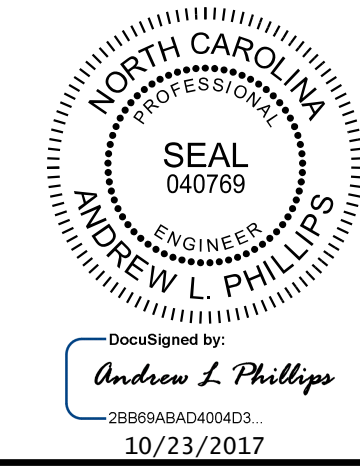
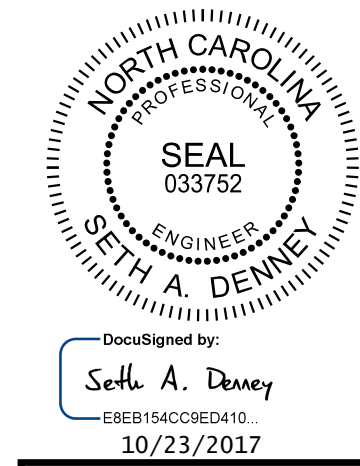
**BLOCK OUT DETAIL**  
SEE "SECTION A - A" FOR OTHER DETAILS.



**CONCRETE INSERT**

\* EACH WELDED ATTACHMENT OF WIRE TO FERRULE SHALL DEVELOP THE TENSILE STRENGTH OF THE WIRE.

PROJECT NO. U-5806  
CABARRUS COUNTY  
 STATION: 15+75.56 -Y1-  
27+06.95 -L-  
 SHEET 2 OF 2



**Kimley-Horn**  
 421 Fayetteville Street, Suite 600  
 Raleigh, NC 27601-1772  
 Phone (919) 677-2000 NC LICENSE # F-0102

STATE OF NORTH CAROLINA DEPARTMENT OF TRANSPORTATION RALEIGH					
STANDARD EXPANSION JOINT SEAL DETAILS FOR BARRIER RAIL					
REVISIONS					SHEET NO.
NO.	BY:	DATE:	NO.	BY:	DATE:
1			3		
2			4		
					S-26
					TOTAL SHEETS 50

10/23/2017 K:\B01\_Structures\Bridges\N.C.01036388 - U-5806 - Final Design\Coord\Drawings\026\_U-5806\_E.02.dgn  
 ASSEMBLED BY: D.D. LOWERY DATE: 10/17  
 CHECKED BY: A.L. PHILLIPS DATE: 10/17  
 DRAWN BY: REK 9/87 REV. 10/1/11 MAA/GM  
 CHECKED BY: CRK 10/87 REV. 7/12 MAA/GM  
 REV. 6/13 MAA/GM

**DOCUMENT NOT CONSIDERED FINAL  
UNLESS ALL SIGNATURES COMPLETED**