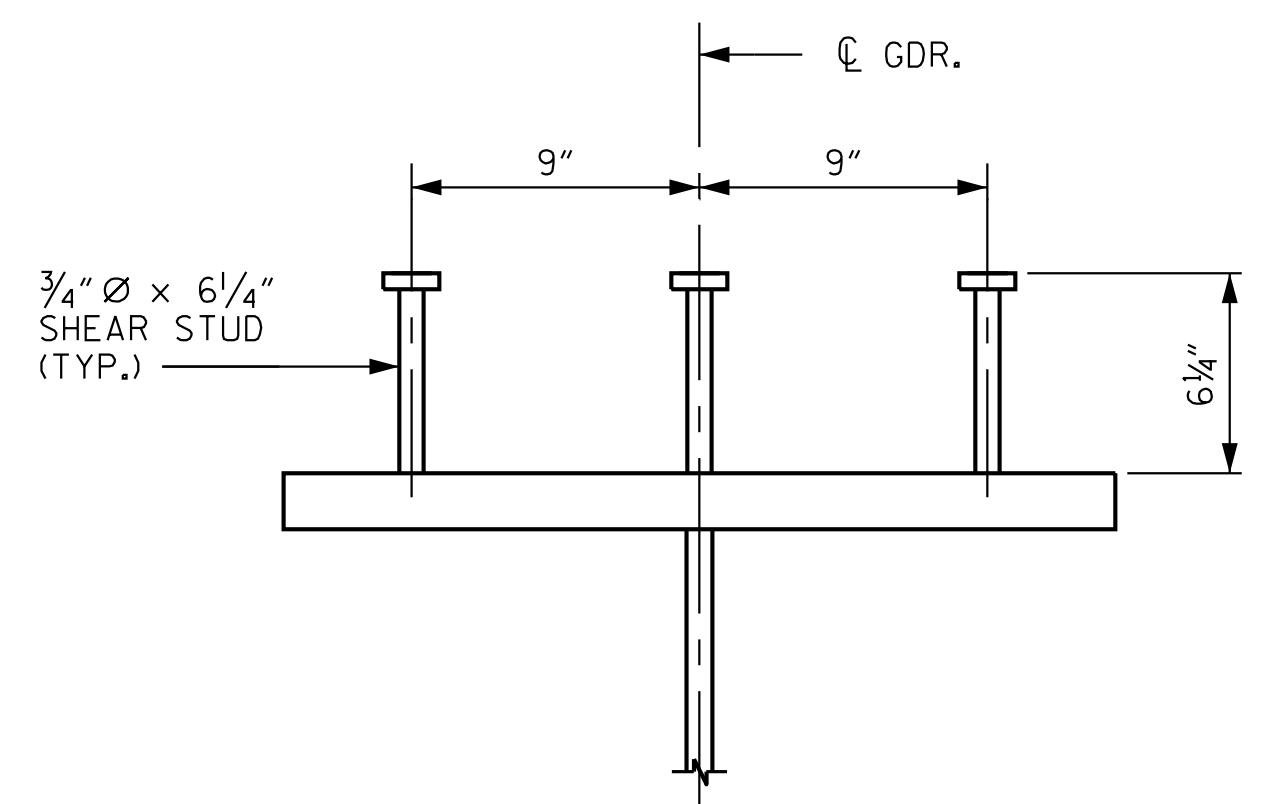


\* FOR SPACING OF SHEAR STUDS, SEE BOLTED FIELD SPLICE, SHEET 4 OF 5.

### SHEAR STUD LOCATIONS FOR GIRDERS

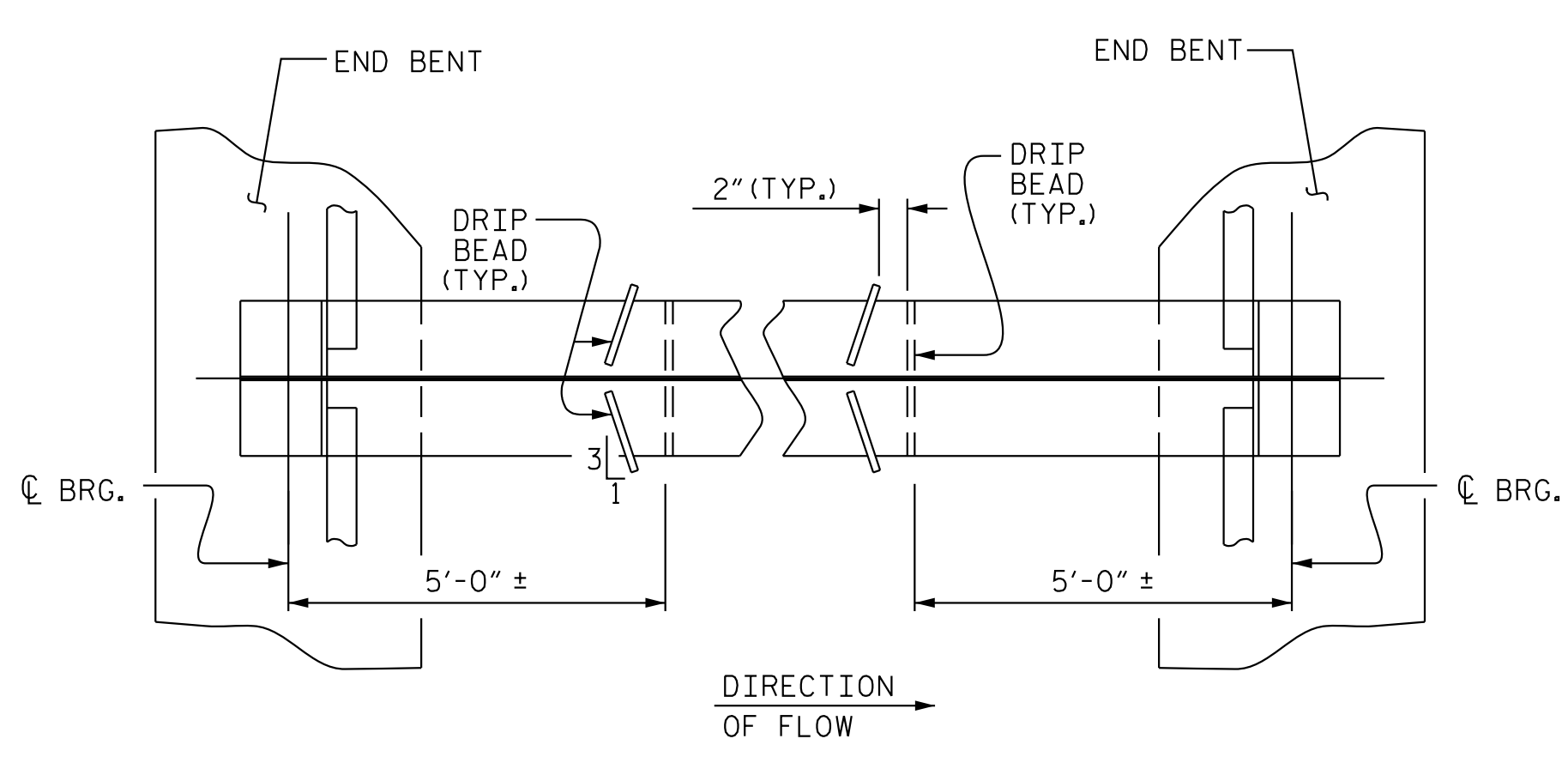
(ALL DIMENSIONS ARE ALONG ARC)



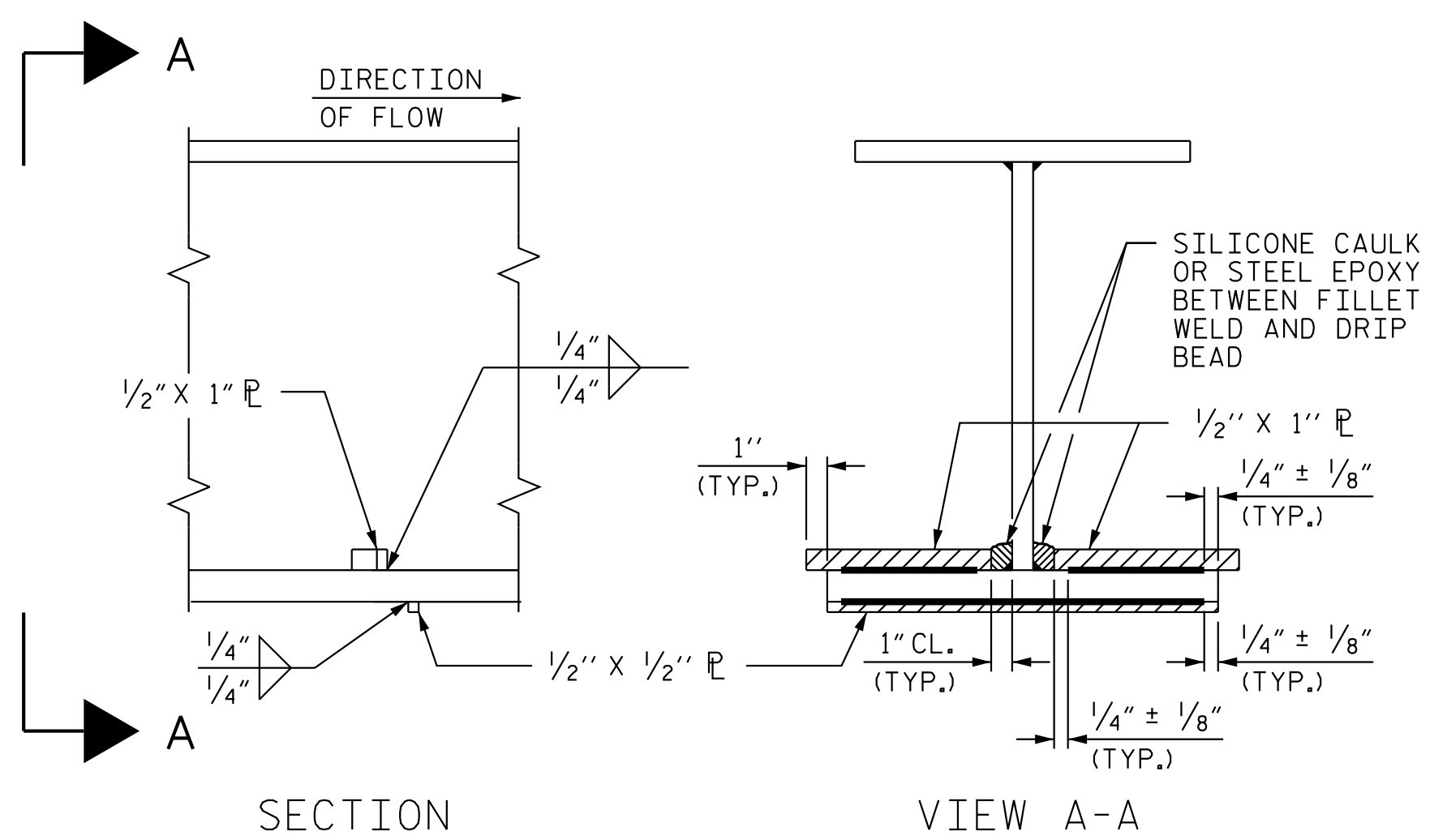
SHEAR STUD SPACING											
GIRDER	A	B	C	D *	E	F	G	H *	I	J	K
G1	1'-0"	45 SPA. @ 1'-0"	6"	4 SPA. @ 1'-1 1/2"	10 1/2"	85 SPA. @ 1'-3"	10 1/2"	4 SPA. @ 1'-1 1/2"	5 7/8"	32 SPA. @ 1'-0"	1'-0"
G2	1'-0"	44 SPA. @ 1'-0"	5 3/8"	4 SPA. @ 1'-1 1/2"	10 5/16"	83 SPA. @ 1'-3"	10 5/16"	4 SPA. @ 1'-1 1/2"	9 1/4"	36 SPA. @ 1'-0"	6"
G3	1'-0"	43 SPA. @ 1'-0"	4 3/4"	4 SPA. @ 1'-1 1/2"	9 7/16"	87 SPA. @ 1'-3"	9 7/16"	4 SPA. @ 1'-1 1/2"	10 3/4"	32 SPA. @ 1'-0"	1'-0"
G4	1'-0"	42 SPA. @ 1'-0"	4 1/8"	4 SPA. @ 1'-1 1/2"	8 7/8"	85 SPA. @ 1'-3"	8 5/16"	4 SPA. @ 1'-1 1/2"	10 1/16"	36 SPA. @ 1'-0"	1'-0"
G5	6"	41 SPA. @ 1'-0"	9 1/2"	4 SPA. @ 1'-1 1/2"	1'-0"	88 SPA. @ 1'-3"	1'-0"	4 SPA. @ 1'-1 1/2"	6 11/16"	34 SPA. @ 1'-0"	6"
G6	6"	40 SPA. @ 1'-0"	8 7/8"	4 SPA. @ 1'-1 1/2"	10 1/2"	86 SPA. @ 1'-3"	10 1/2"	4 SPA. @ 1'-1 1/2"	9 1/4"	38 SPA. @ 1'-0"	6"

### SHEAR STUD DETAILS

(TYP. EA. GIRDER)



PART PLAN - BOTTOM FLANGE



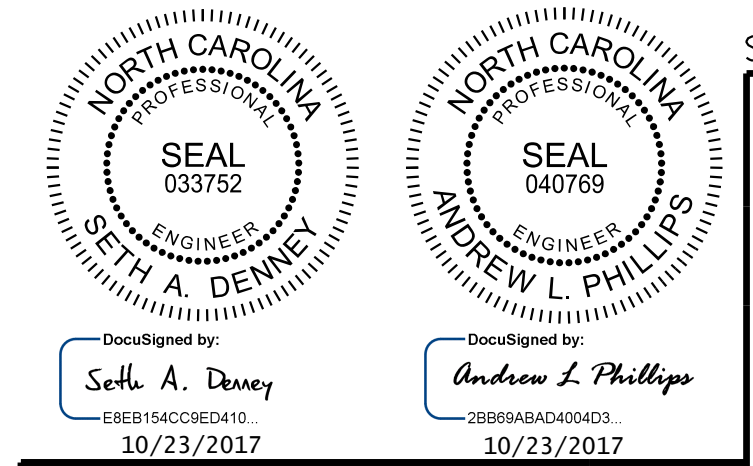
SECTION

VIEW A-A

### DRIP BEAD DETAILS

PROJECT NO. U-5806  
CABARRUS COUNTY  
 STATION: 15+75.56 -Y1-  
27+06.95 -L-

SHEET 2 OF 5



STATE OF NORTH CAROLINA  
 DEPARTMENT OF TRANSPORTATION  
 RALEIGH

SUPERSTRUCTURE  
 STRUCTURAL STEEL  
 DETAILS

REVISIONS						SHEET NO.
NO.	BY:	DATE:	NO.	BY:	DATE:	S-18
1			3			TOTAL SHEETS
2			4			50

DRAWN BY: D. D. LOWERY DATE: 10/17  
 CHECKED BY: A. L. PHILLIPS DATE: 10/17  
 DESIGN ENGINEER OF RECORD: S. A. DENNEY DATE: 10/17

**DOCUMENT NOT CONSIDERED FINAL  
 UNLESS ALL SIGNATURES COMPLETED**

**Kimley»Horn**  
 421 Fayetteville Street, Suite 600  
 Raleigh, NC 27601-1772  
 Phone (919) 677-2000  
 NC LICENSE # F-0102

K:\B01-Structures\Bridges\NC\101036388 - U-5806 - Final Design\Coord\N018\_U-5806\_S002.dgn