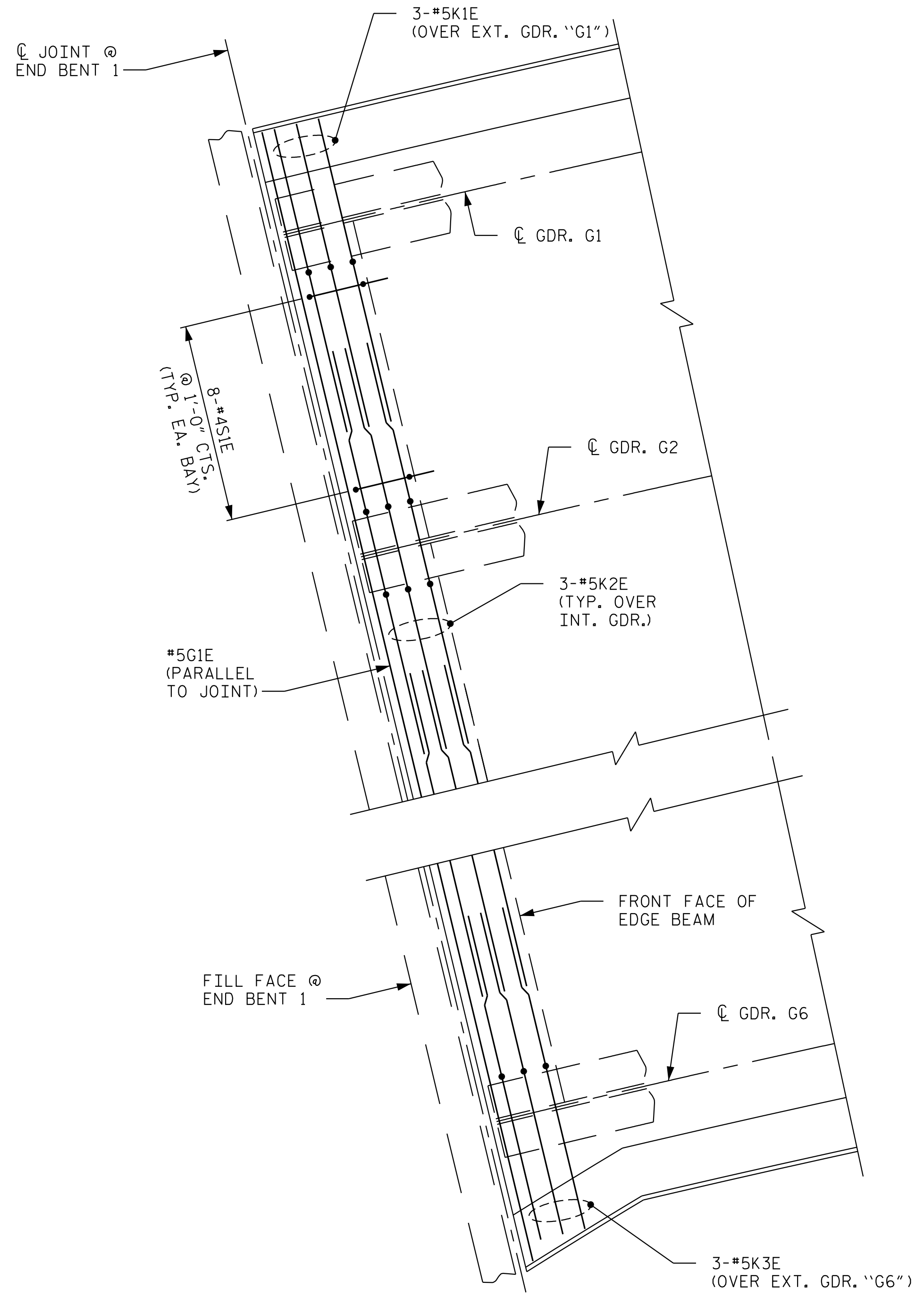
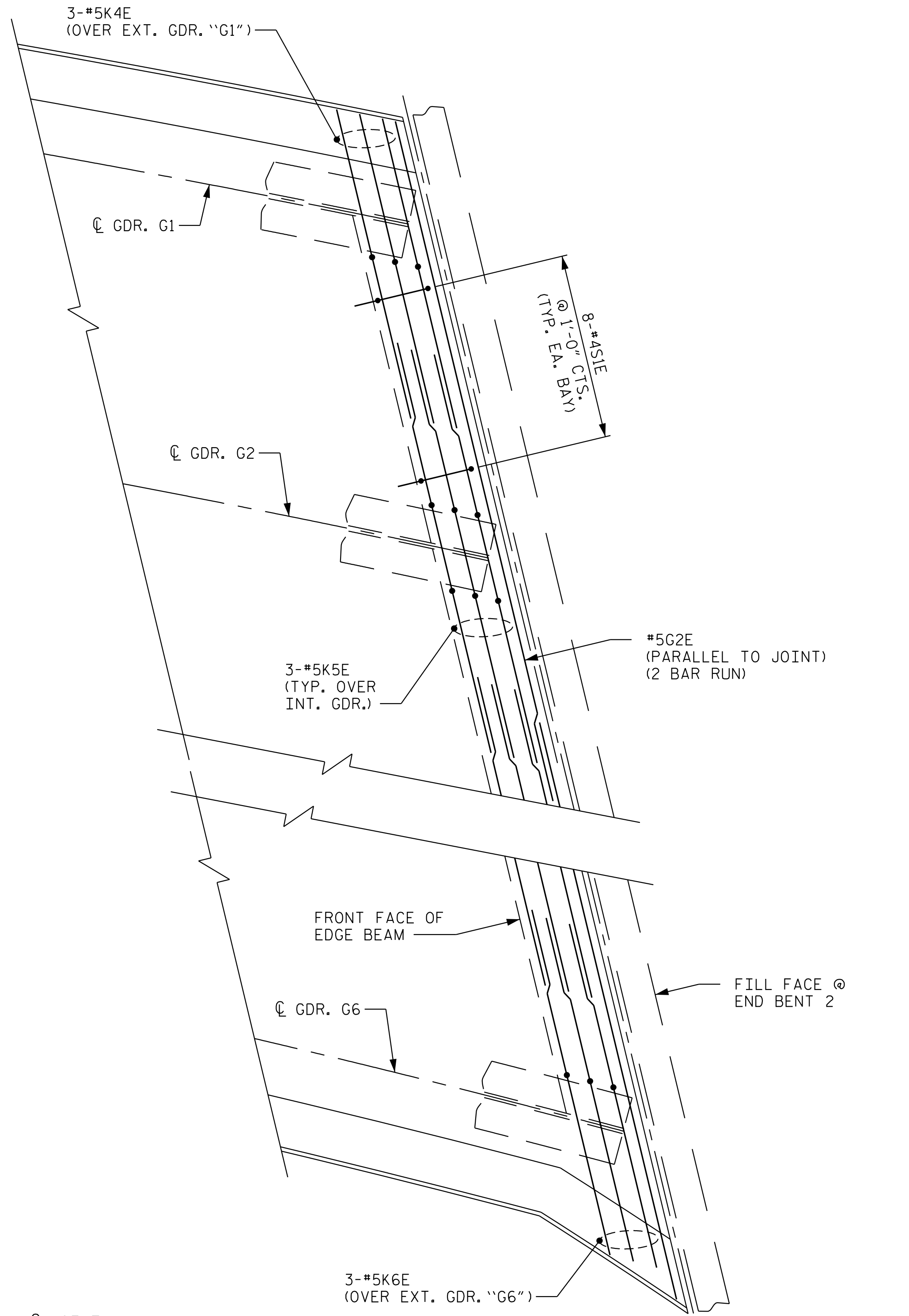


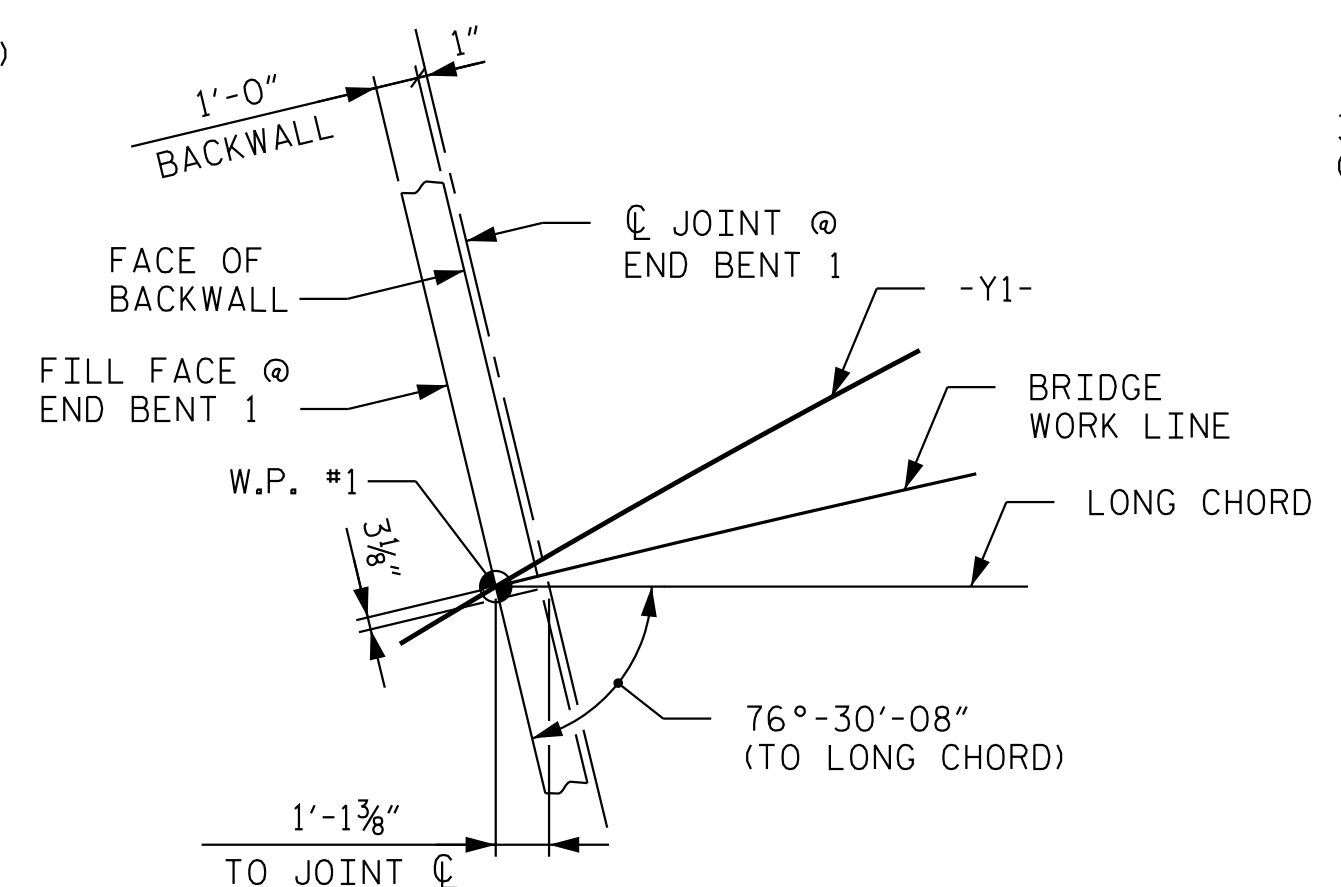
K:\RD1_Structures\Bridges\NC\011036388 - U-5806 - Final Design\Cad\Drawn\014_U-5806_S02.dgn



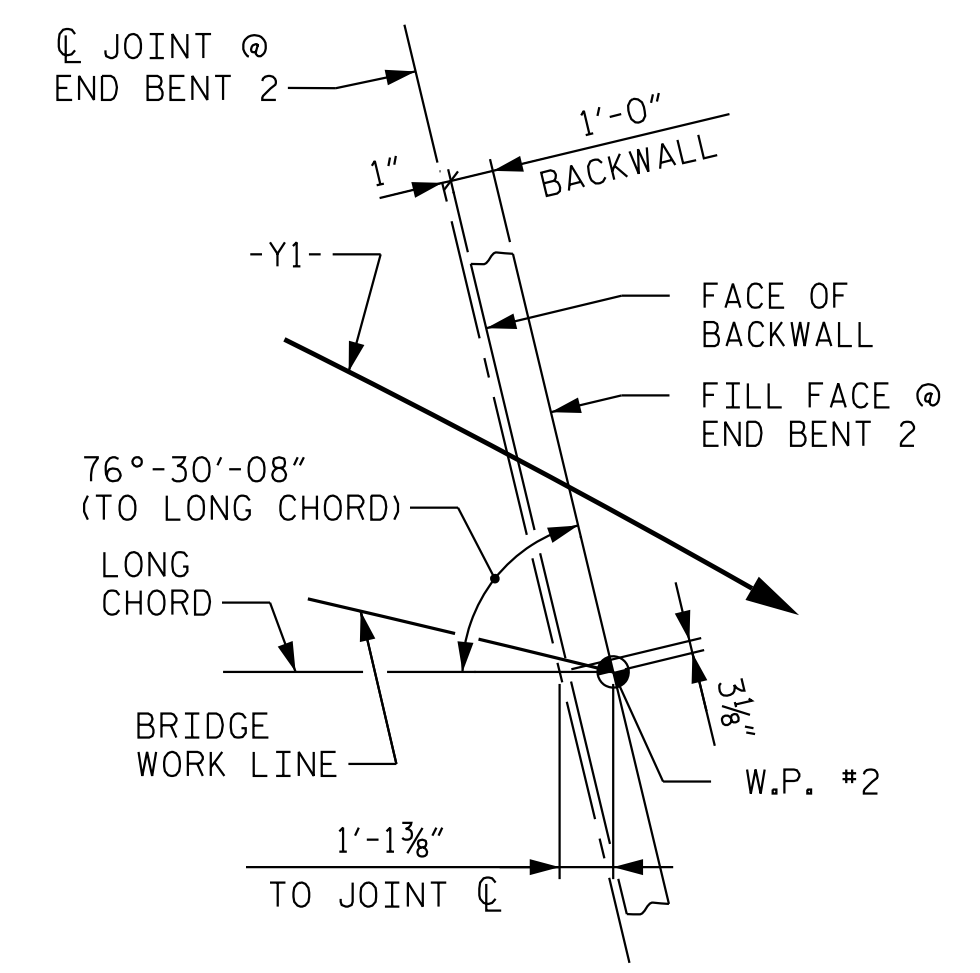
DETAIL "A"
DECK REINFORCING NOT SHOWN FOR CLARITY



DETAIL "C"
DECK REINFORCING NOT SHOWN FOR CLARITY



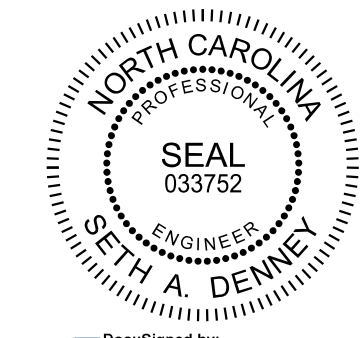
DETAIL "B"



DETAIL "D"

PROJECT NO. U-5806
CABARRUS COUNTY
 STATION: 15+75.56 -Y1-
27+06.95 -L-
 SHEET 2 OF 2

STATE OF NORTH CAROLINA
 DEPARTMENT OF TRANSPORTATION
 RALEIGH
 SUPERSTRUCTURE
 PLAN OF SPAN



Designed by:
 Seth A. Denney
 EREB154CCRED410
 10/23/2017

Designed by:
 Andrew L. Phillips
 2889ABAD40DD03
 10/23/2017

Kimley»Horn
 421 Fayetteville Street, Suite 600
 Raleigh, NC 27601-1772
 Phone (919) 677-2000
 NC LICENSE # F-0102

REVISIONS						SHEET NO.
NO.	BY:	DATE:	NO.	BY:	DATE:	S-14
1			3			TOTAL SHEETS
2			4			50

DRAWN BY: D. D. LOWERY DATE: 10/17
 CHECKED BY: A. L. PHILLIPS DATE: 10/17
 DESIGN ENGINEER OF RECORD: S. A. DENNEY DATE: 10/17

**DOCUMENT NOT CONSIDERED FINAL
 UNLESS ALL SIGNATURES COMPLETED**

This document, together with the concepts and designs presented herein, is an integral part of the project. It is not to be used for any other project without written authorization and approval by Kimley-Horn and Associates, Inc. shall be without liability to Kimley-Horn and Associates, Inc.
 Copyright Kimley-Horn and Associates, Inc., 2017