

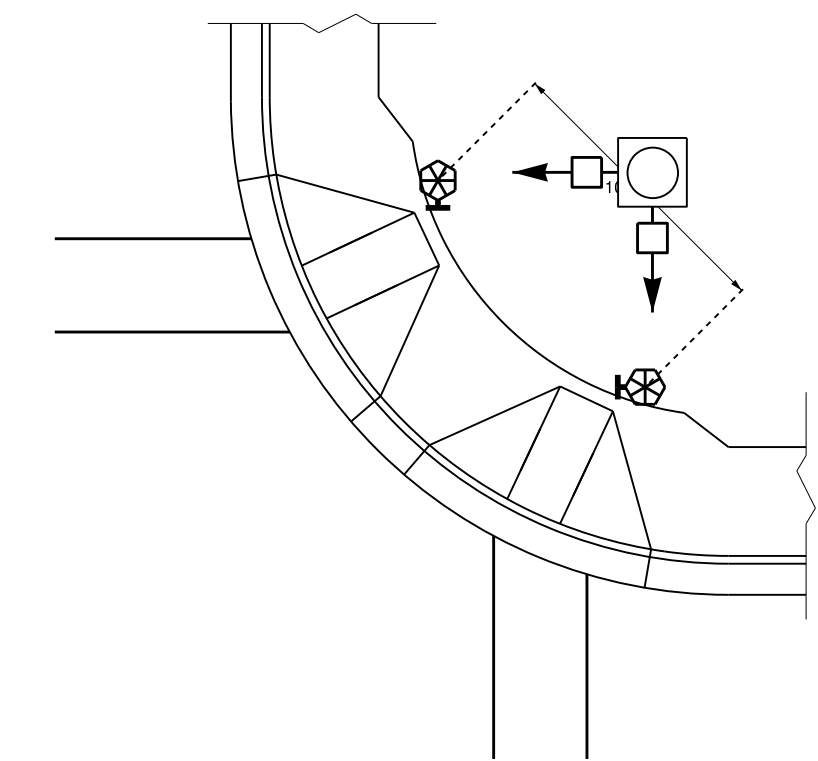
STATE OF NORTH CAROLINA
DEPT. OF TRANSPORTATION
DIVISION OF HIGHWAYS
RALEIGH, N.C.

06-14

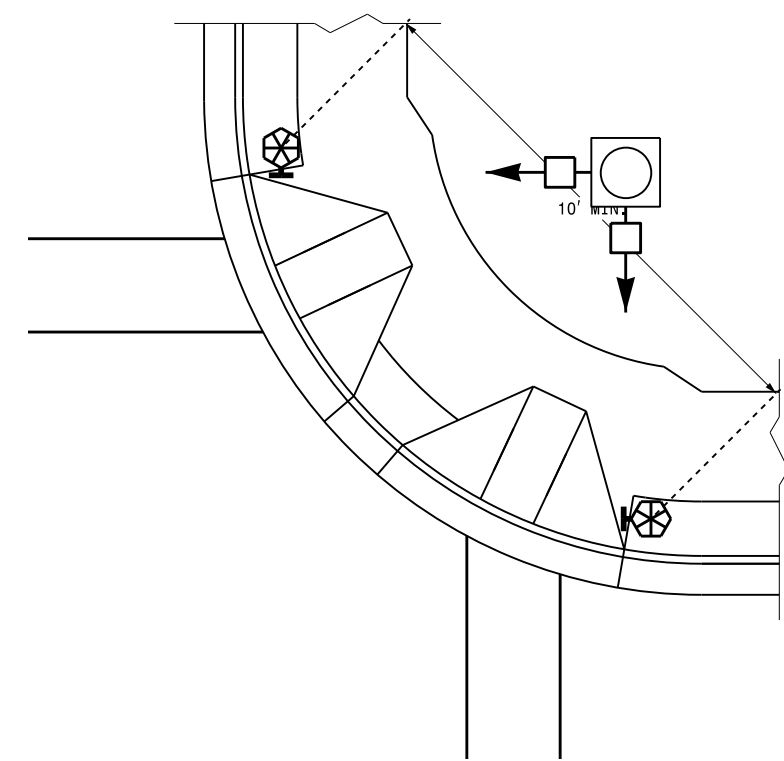
ENGLISH DETAIL DRAWING FOR
PEDESTRIAN PUSHBUTTON LOCATIONS
PLACEMENT DETAIL

SHEET 2 OF 3
1705D01

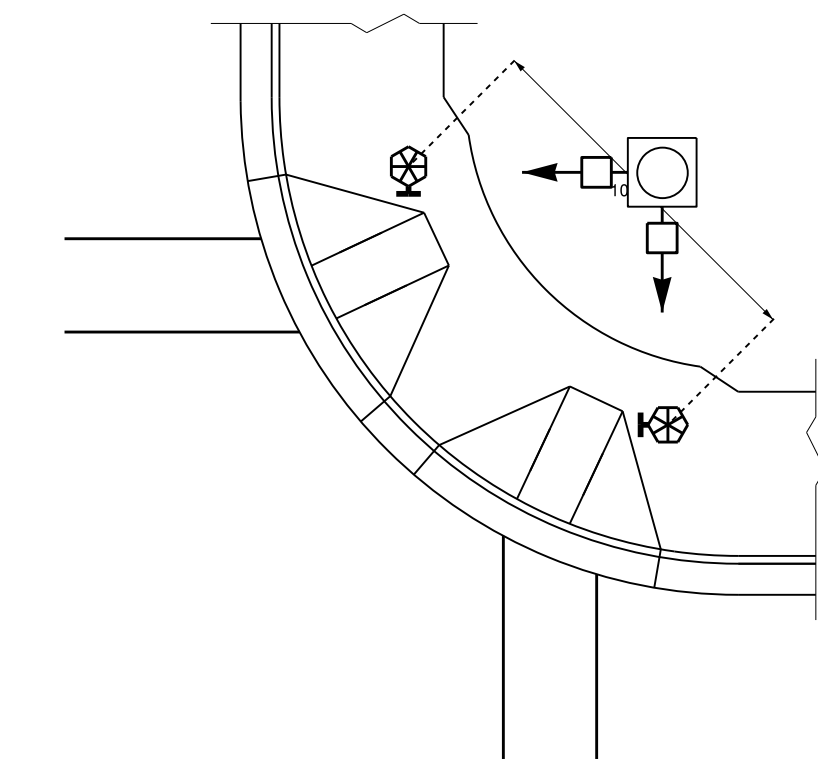
TYPICAL PUSHBUTTON LOCATIONS (CASE I)
SEPARATE CURB RAMPS W/ TYPE I PEDESTALS



BACK OF SIDEWALK IS WITHIN 10'
OF CURB OR PAVEMENT/SHOULDER



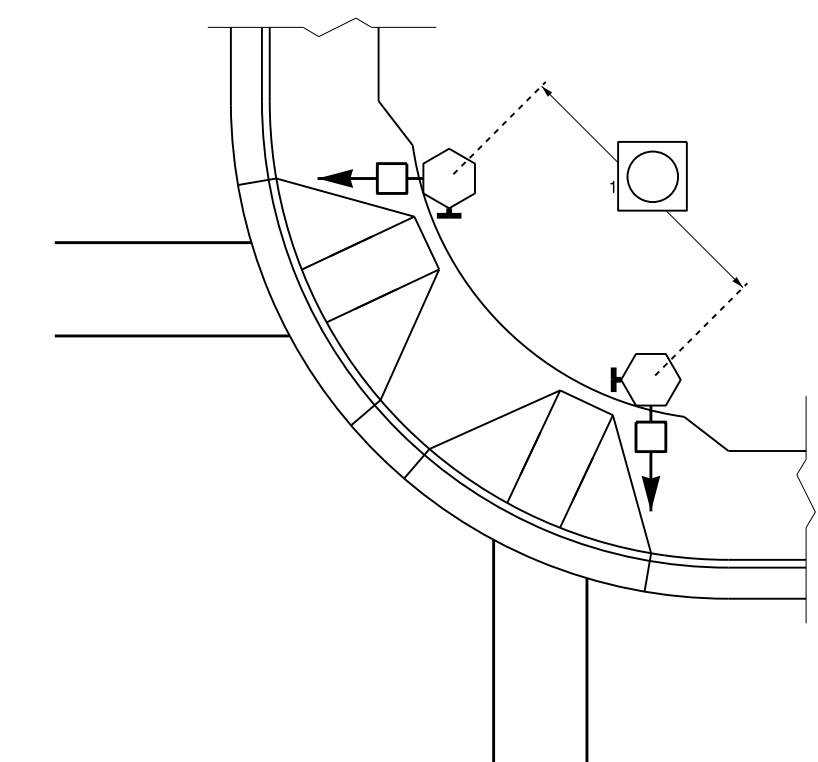
GRASS STRIP PLACEMENT IF BACK
OF SIDEWALK EXCEEDS 10' FROM
CURB OR PAVEMENT/SHOULDER



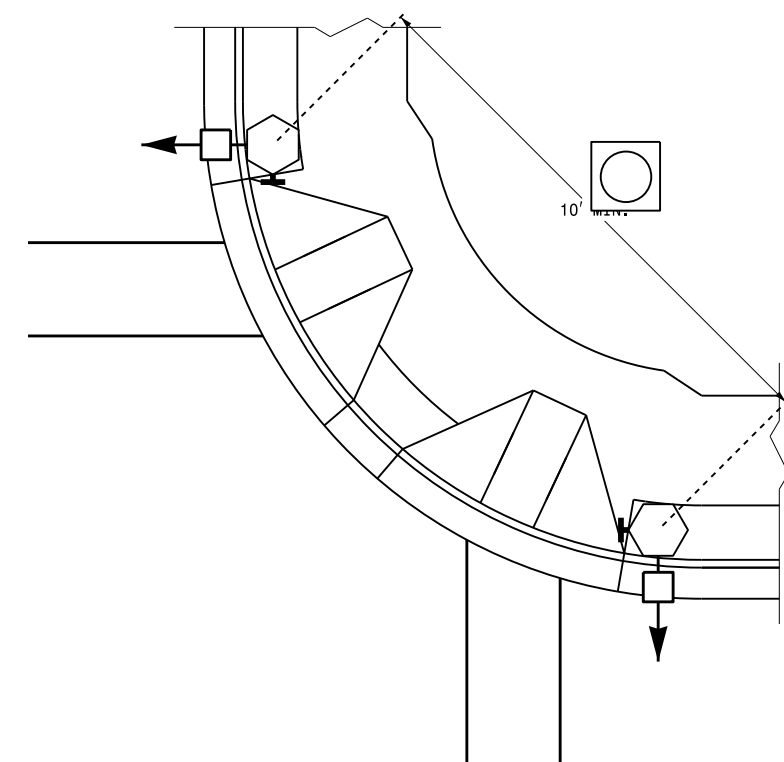
PUSHBUTTON PLACEMENT
IN WIDE SIDEWALK

- PROPOSED**
- Signal Pole
 - Type I Pushbutton Post
 - Type II Signal Pedestal
 - Pushbutton & Sign
 - Pedestrian Signal Head
 - Curb Ramp
 - Pushbutton Location Area

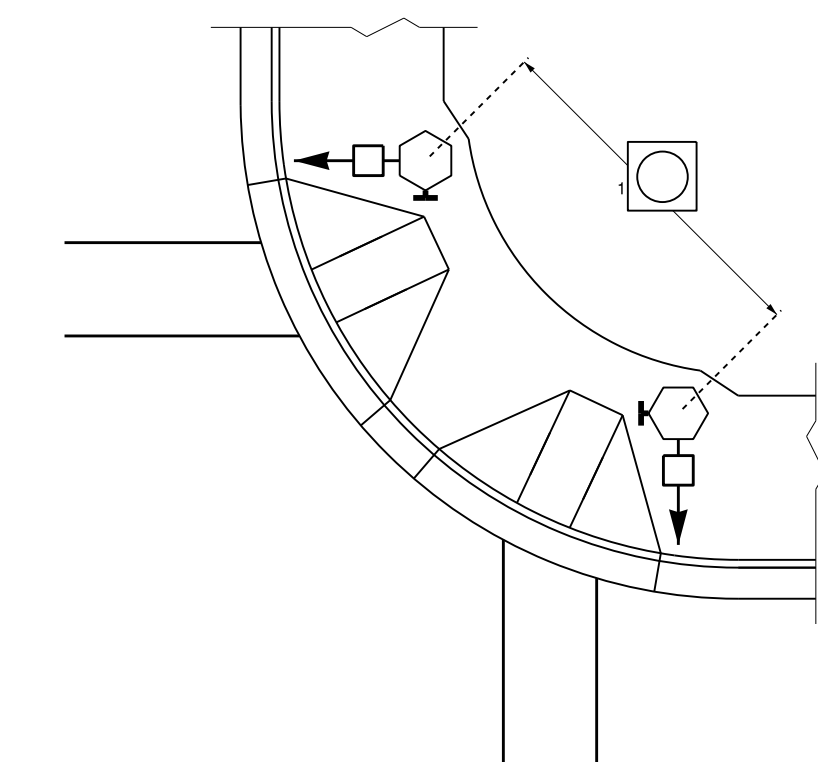
TYPICAL PUSHBUTTON LOCATIONS (CASE II)
SEPARATE CURB RAMPS W/ TYPE II PEDESTALS



BACK OF SIDEWALK IS WITHIN 10'
OF CURB OR PAVEMENT/SHOULDER

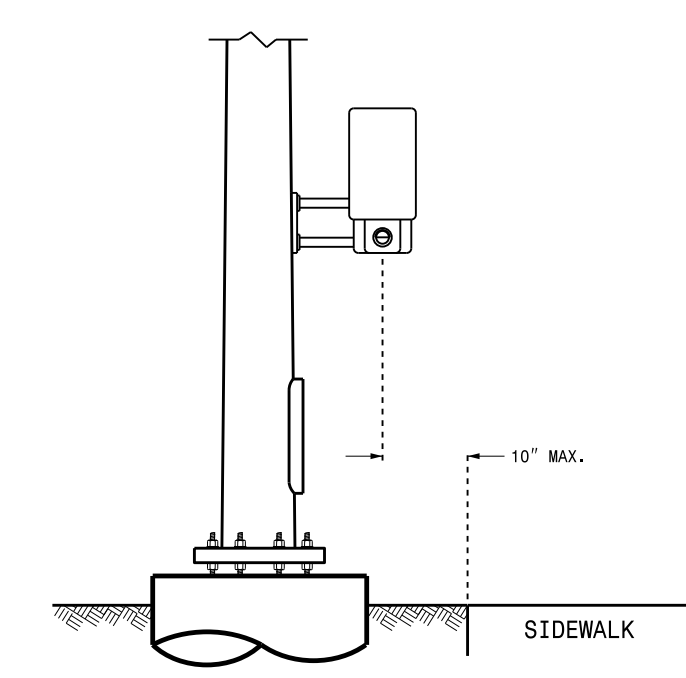


GRASS STRIP PLACEMENT IF BACK
OF SIDEWALK EXCEEDS 10' FROM
CURB OR PAVEMENT/SHOULDER



PUSHBUTTON PLACEMENT
IN WIDE SIDEWALK

OPTIONAL PUSHBUTTON EXTENSION
FACE OF PUSHBUTTON PARALLEL TO
APPLICABLE CROSSWALK



STATE OF NORTH CAROLINA
DEPT. OF TRANSPORTATION
DIVISION OF HIGHWAYS
RALEIGH, N.C.

06-14

ENGLISH DETAIL DRAWING FOR
PEDESTRIAN PUSHBUTTON LOCATIONS
PLACEMENT DETAIL

SHEET 2 OF 3
1705D01

See Plate for Title

Prepared in the Offices of:

750 N. Greenfield Parkway
Garner, NC 27529

SEAL

DocuSigned by:
Robert J. Ziemba
6/17/2014
DATE

I:\MAY-2017_15:21
 S:\ITS&SU\ITS\Signal&Signal Design\Section\Central Region\Rob's Files\Ped_Side\Pushbutton Drawings\Pushbutton Plate Drawings-20140617.dgn
 rnz:inser