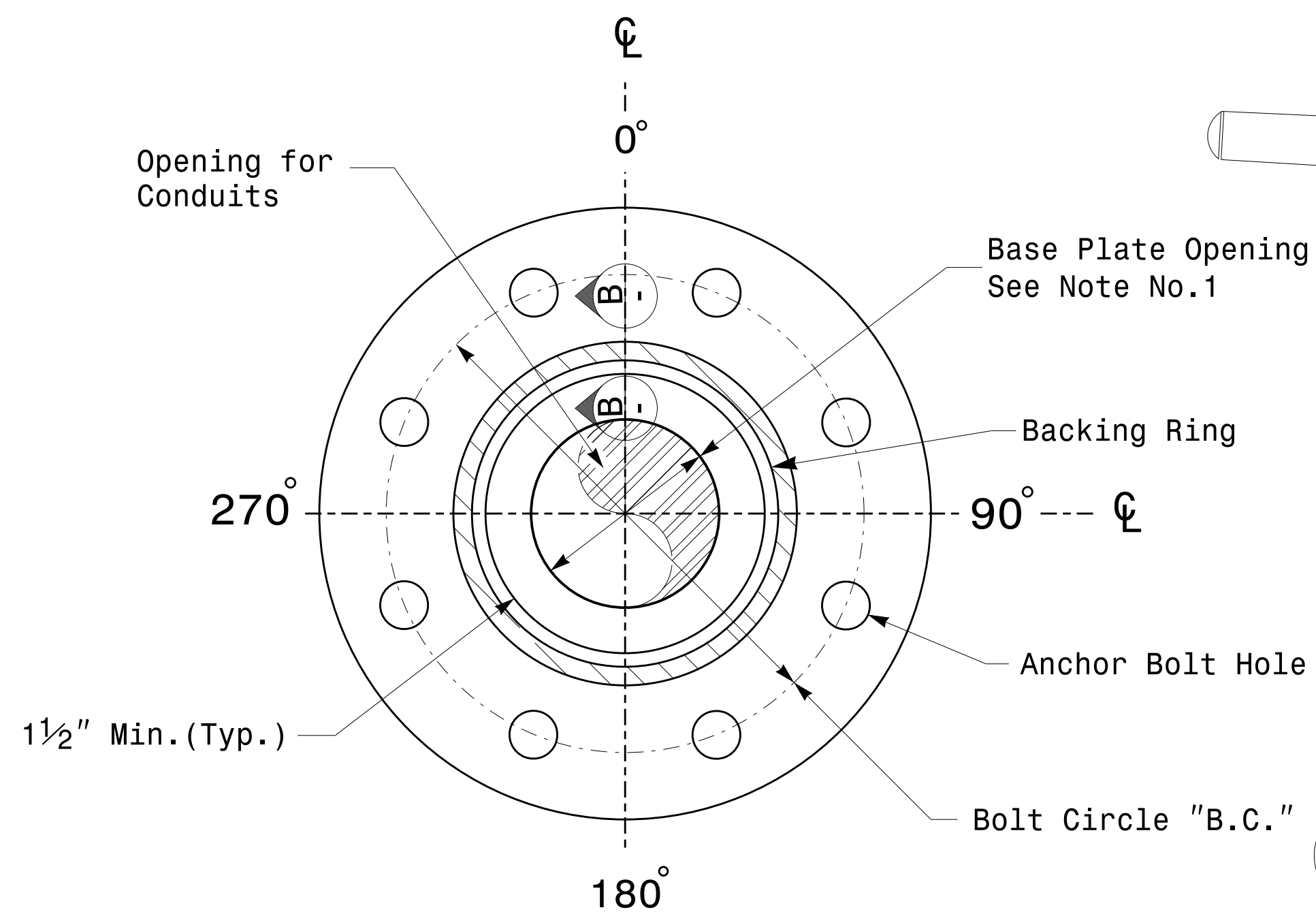
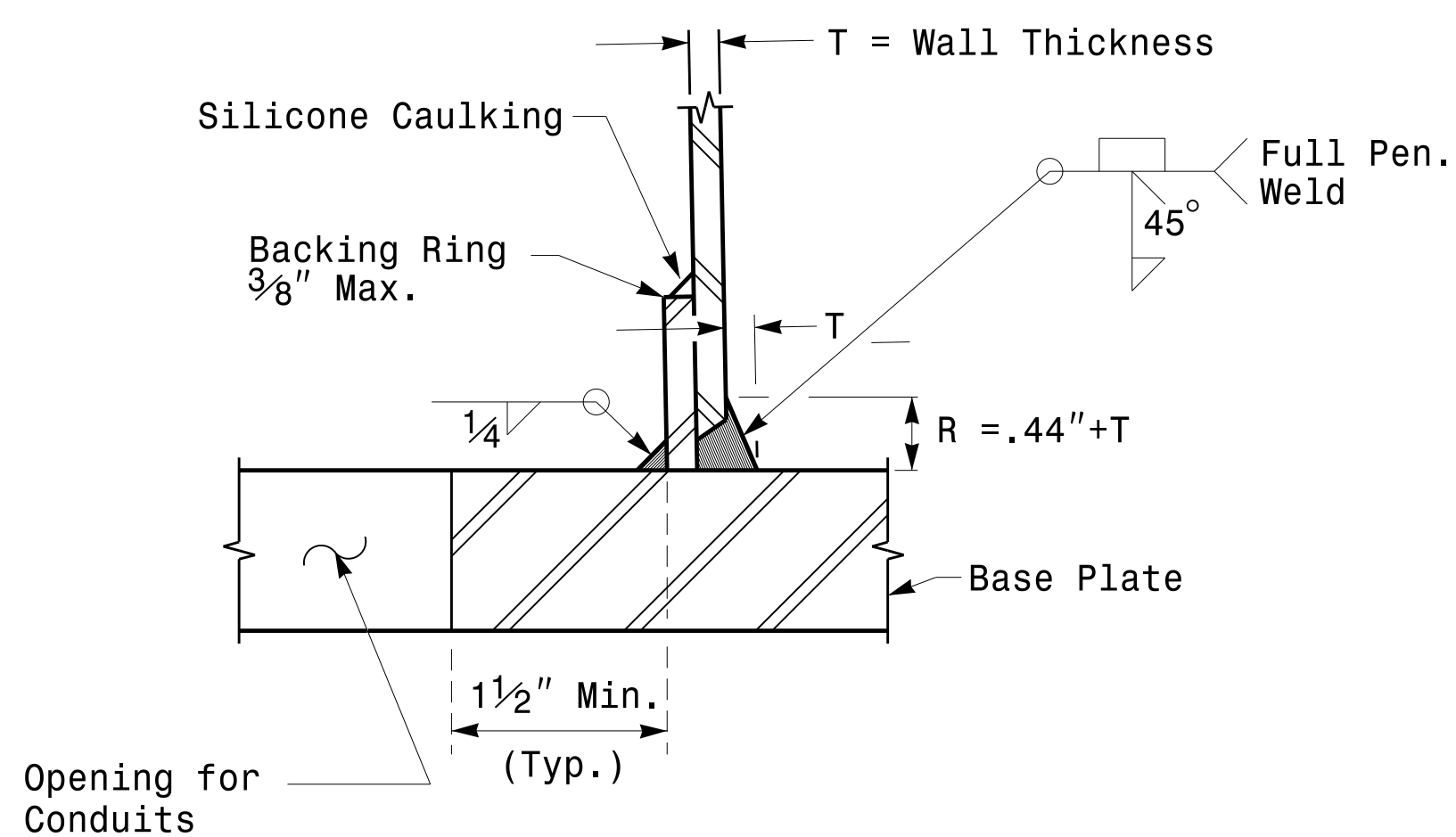


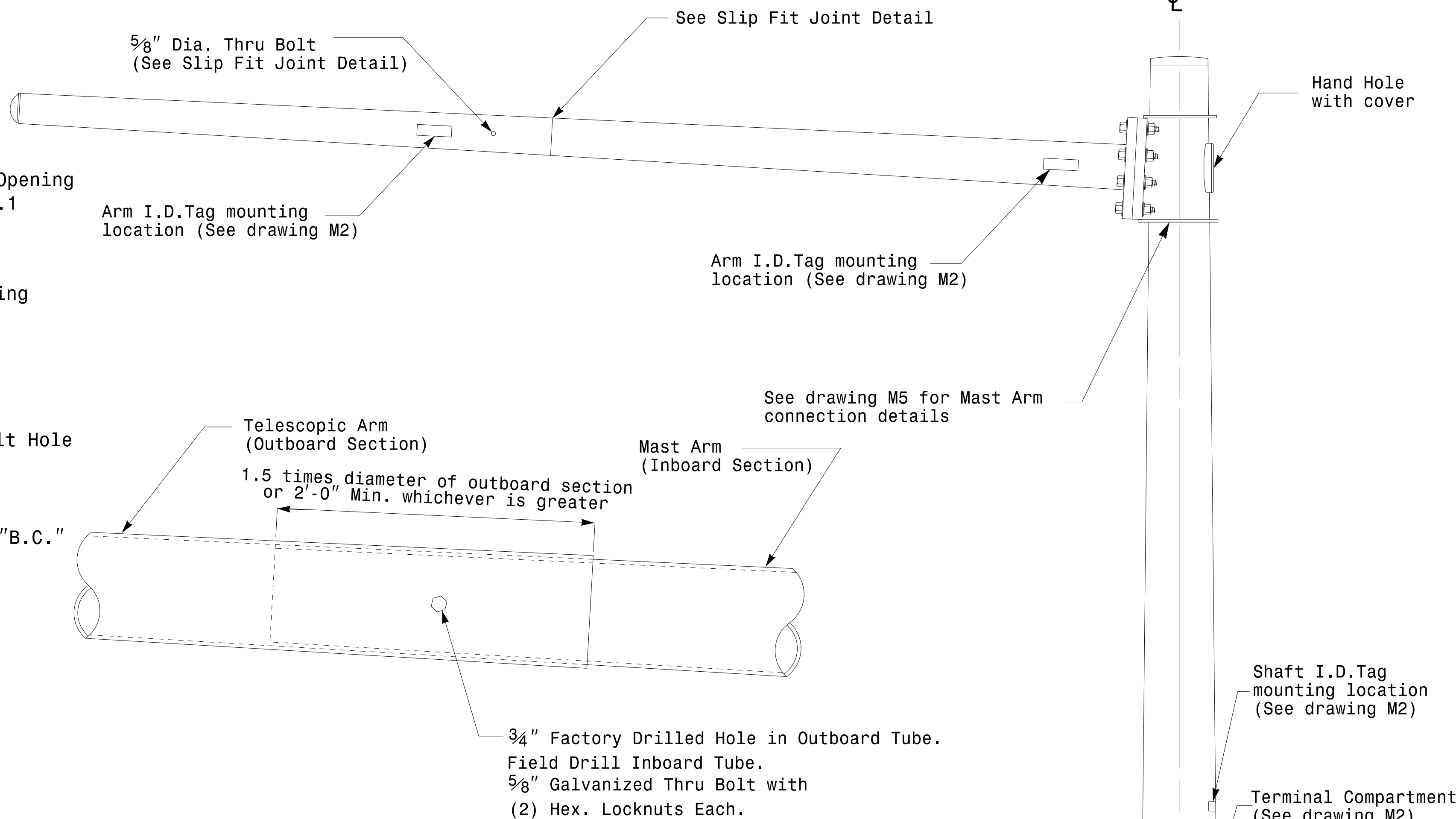
Note:
 1. Opening in pole base plate shall be equal to pole base inside diameter minus 3 1/2" but shall not be less than 8 1/2".



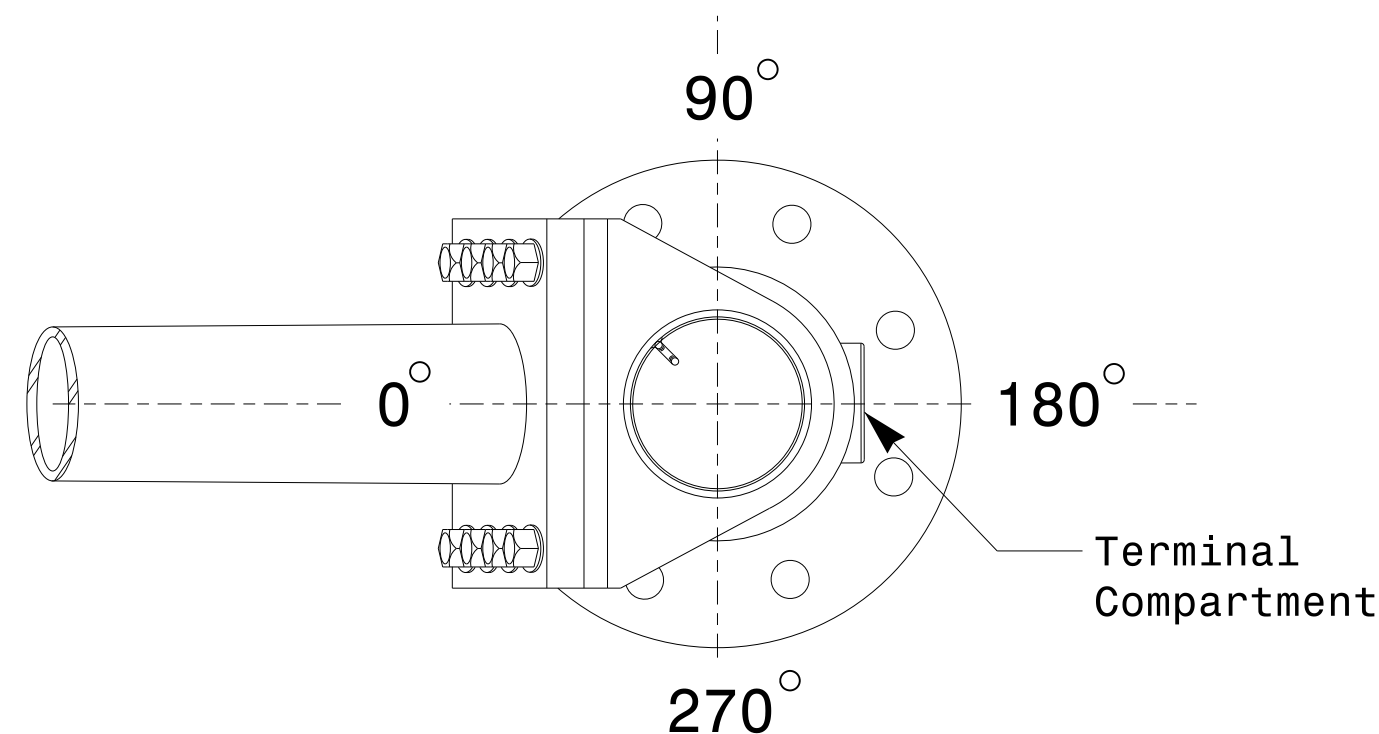
Section A-A
Pole Base Plate Details



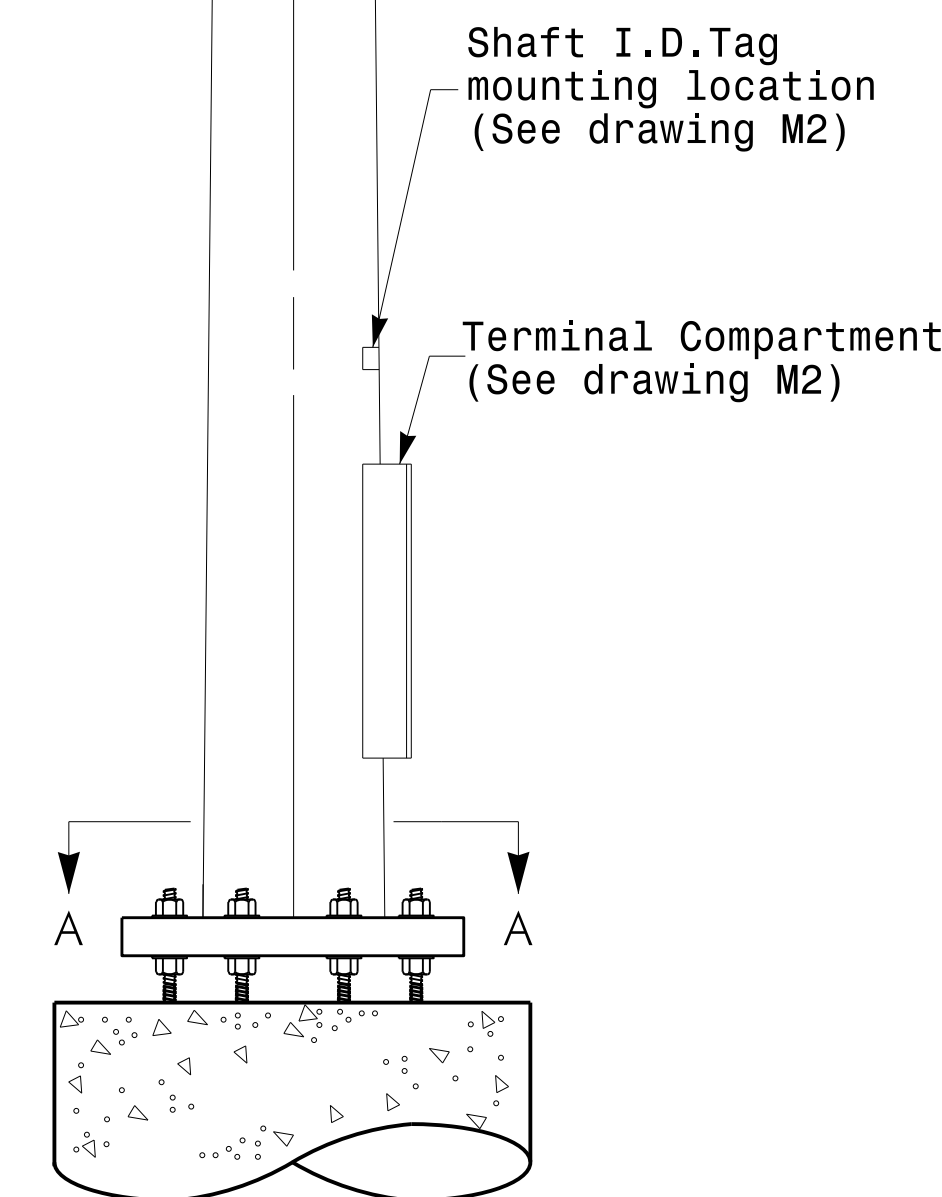
Section B-B
 (Pole Attachment to Base Plate)
Full-Penetration Groove Weld Detail



Slip Fit Joint Detail for Mast Arm



Mast Arm Radial Orientation



Mast Arm Pole

Fabrication Details - Mast Arm Poles

	Typical Fabrication Details For Mast Arm Poles		
	PLAN DATE: FEBRUARY 2016 PREPARED BY: N. BITTING	DESIGNED BY: K.C. DURIGON REVIEWED BY: D.C. SARKAR	
SCALE: 0 NA NONE	REVISIONS:	INIT. DATE:	DocuSigned by 44E8E32E147E4C4...
			2/17/2016 DATE

17-FEB-2016 16:05
 U:\CSG\W115\Signal\sig\Design\Section\Eastern Region\M4 Sheets\2016\2014_Sig_M4_Std_Fabrication_Details-Mast_Arm_Poles.dgn
 3:01:02