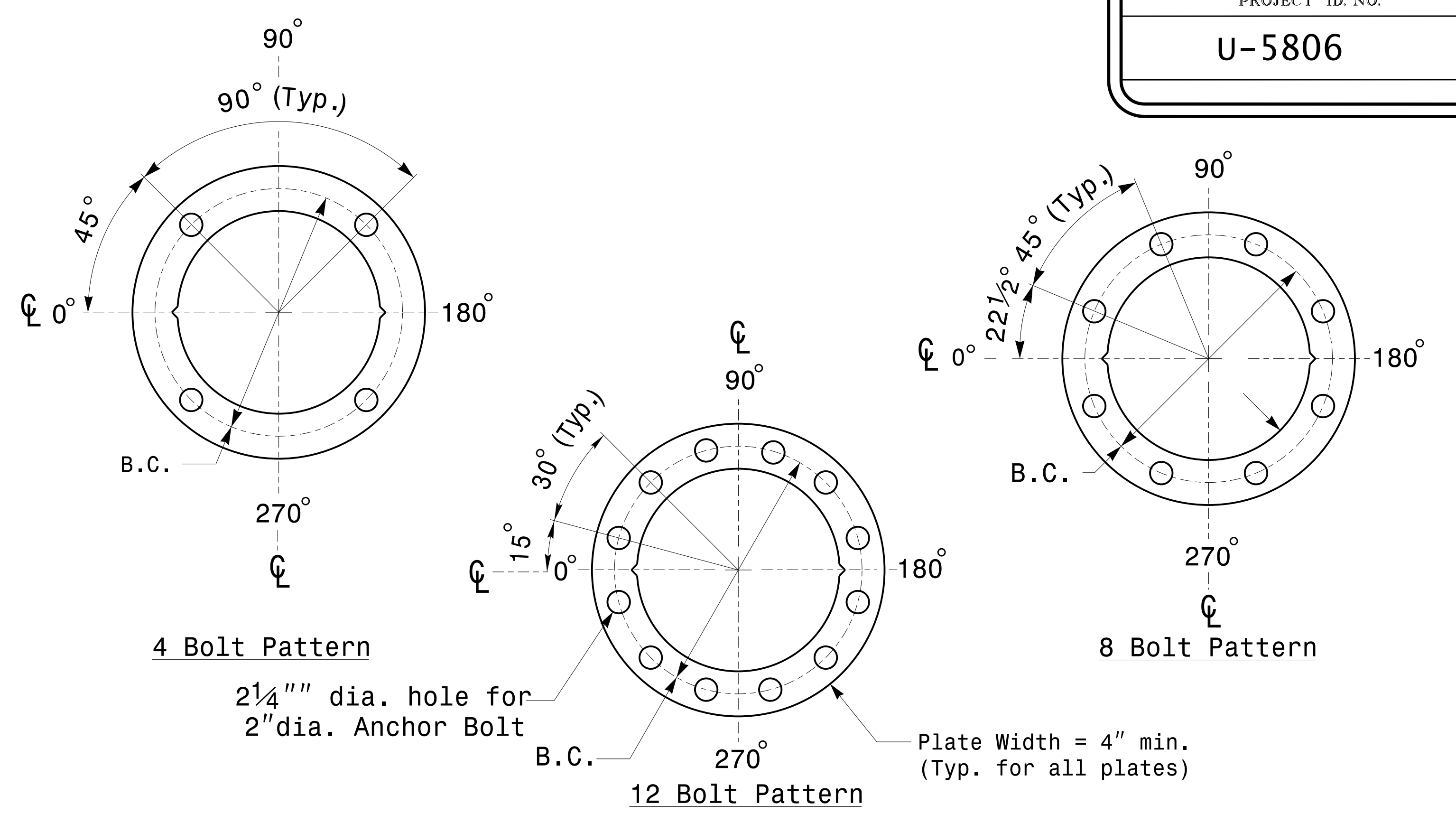


| | |
|---------------------------|------------------------|
| MFG _____ | MFG. DATE: MM/YY _____ |
| SHAFT D/T/L/Y _____ | _____ |
| ARM-A D/T/L/Y _____ | _____ |
| ARM-B D/T/L/Y _____ | _____ |
| A.B. DIA./B.C./L/Y _____ | _____ |
| NCDOT SIG. INV. NO. _____ | _____ |
| NCDOT POLE NO. _____ | _____ |

Shaft I.D. Tag
(Provide on Shaft of Strain Poles and Mast Arm Poles Shaft)

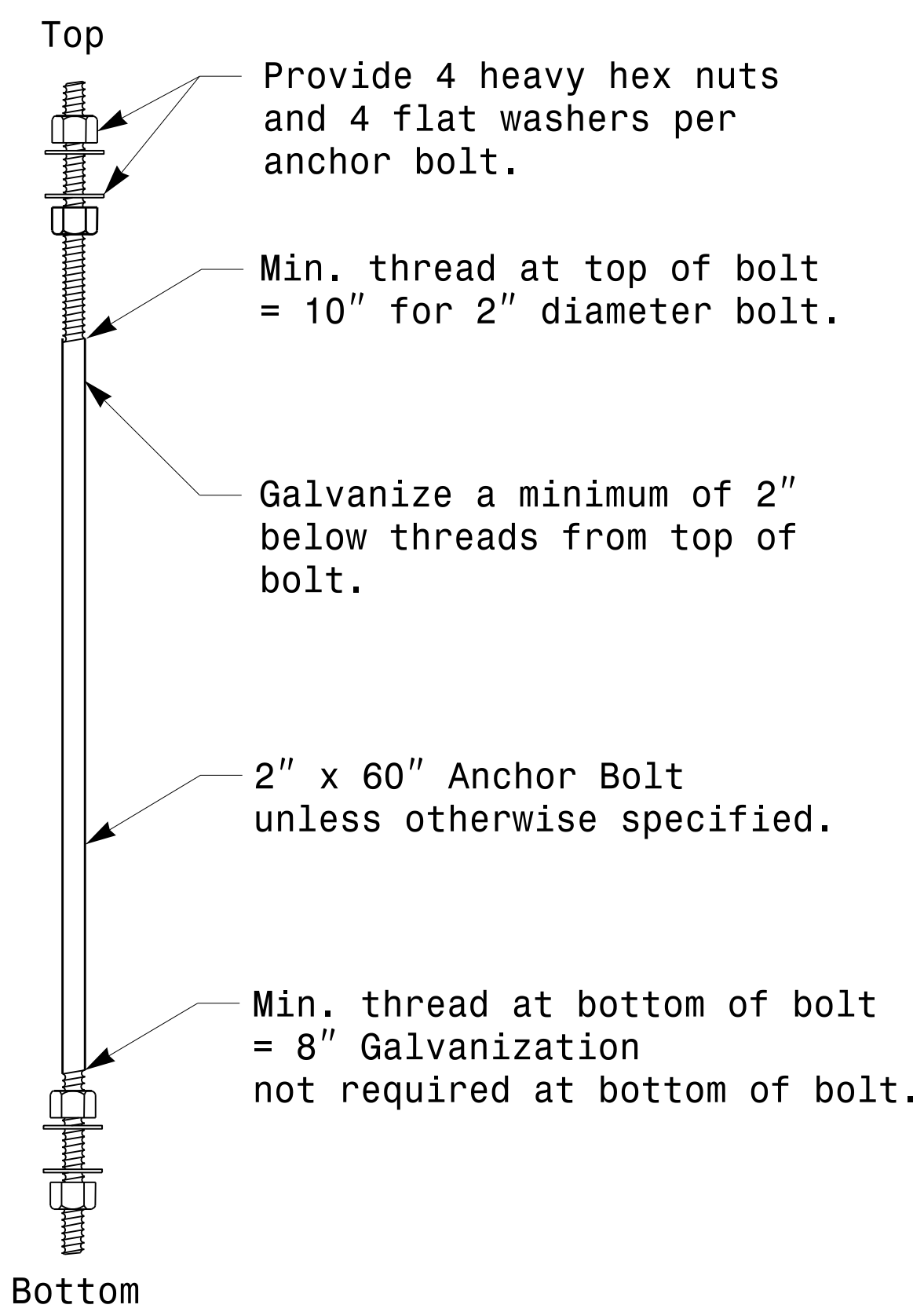
- Notes:
- 1) D= Diameter, T= Thickness, L= Length, Y= Yield Strength
 - 2) A.B. = Anchor Bolt
 - 3) B.C. = Bolt Circle of Anchor Bolts
 - 4) If Custom Design, use "NCDOT STANDARD" line for Signal Inv. Number and pole I.D. number
 - 5) See drawing M3 and M4 for mounting positions of I.D. tags.

Identification Tag Details

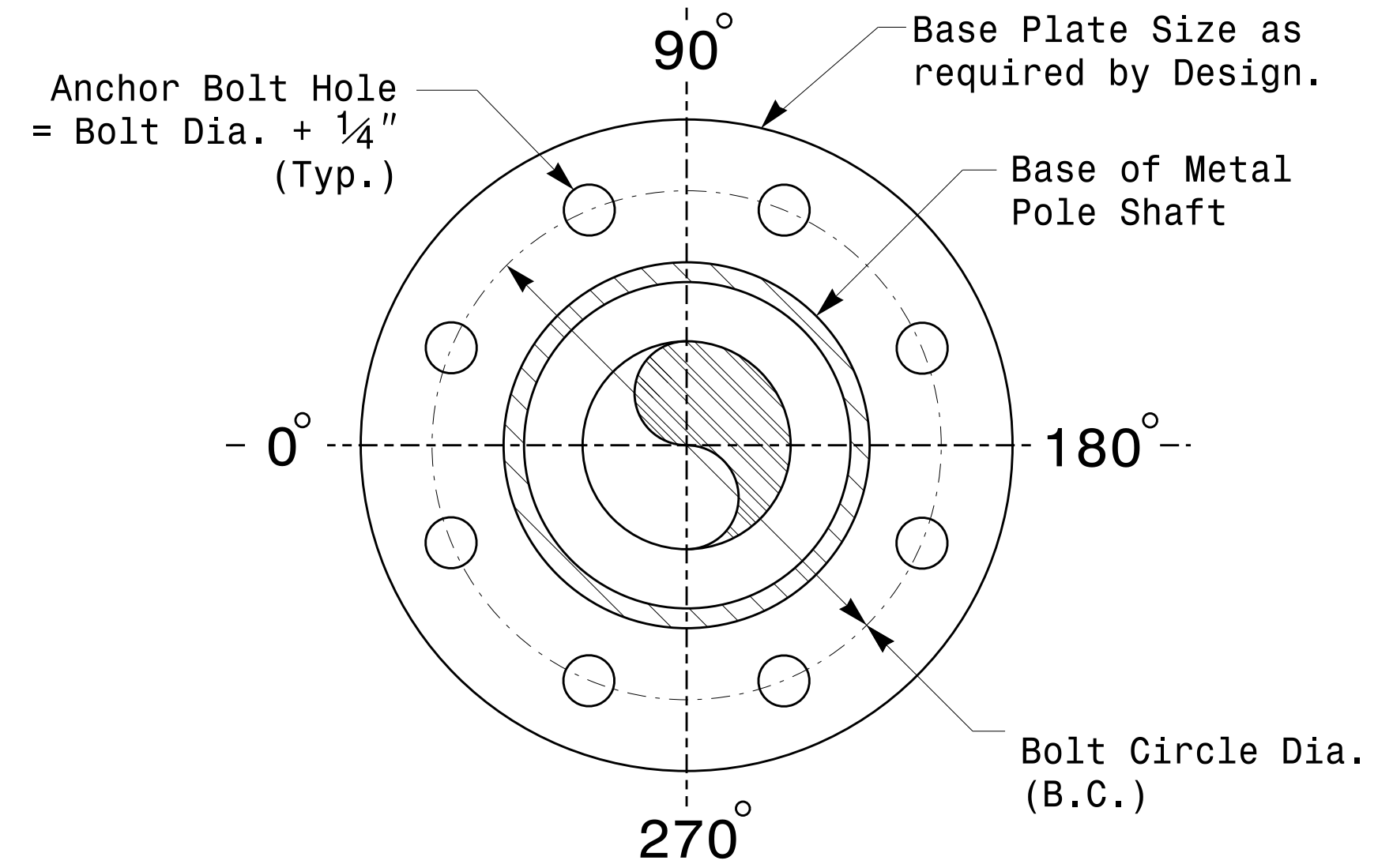


Construct Templates and Plates from 1/4" min. thick Steel. Galvanizing is not required.

Base Plate Template and Anchor Bolt Lock Plate Details



Anchor Bolt Detail



Note: Base plate may be circular, octagonal, square or rectangular in shape.

Typical Base Plate Detail

| | | | |
|--------------------------------|--|----------------------------------|-------------|
| | <p>Typical Fabrication Details For All Metal Poles</p> | | |
| | <p>PLAN DATE: FEBRUARY 2016</p> | <p>DESIGNED BY: C.F. ANDREWS</p> | |
| <p>PREPARED BY: N. BITTING</p> | <p>REVIEWED BY: D.C. SARKAR</p> | <p>INITIALS</p> | <p>DATE</p> |
| <p>SCALE: NONE</p> | <p>REVISIONS</p> | <p>INITIALS</p> | <p>DATE</p> |

DocuSigned by: *Debesh C. Sarkar* 44E8E32E147E4C4...

2/17/2016 DATE

17-FEB-2016 16:02:30 T:\CSG04115\Sig\1615\Sig\1615-014_Sig_M2_S1d_Fabrication_Details-All_Poles.dgn