

APPROVED: *Kevin W. Bishop*  
DATE: 9/5/2017

SEAL

TIP NO. SHEET NO.

APPROVED: *RWT*  
DATE: 7/26/13

SEAL

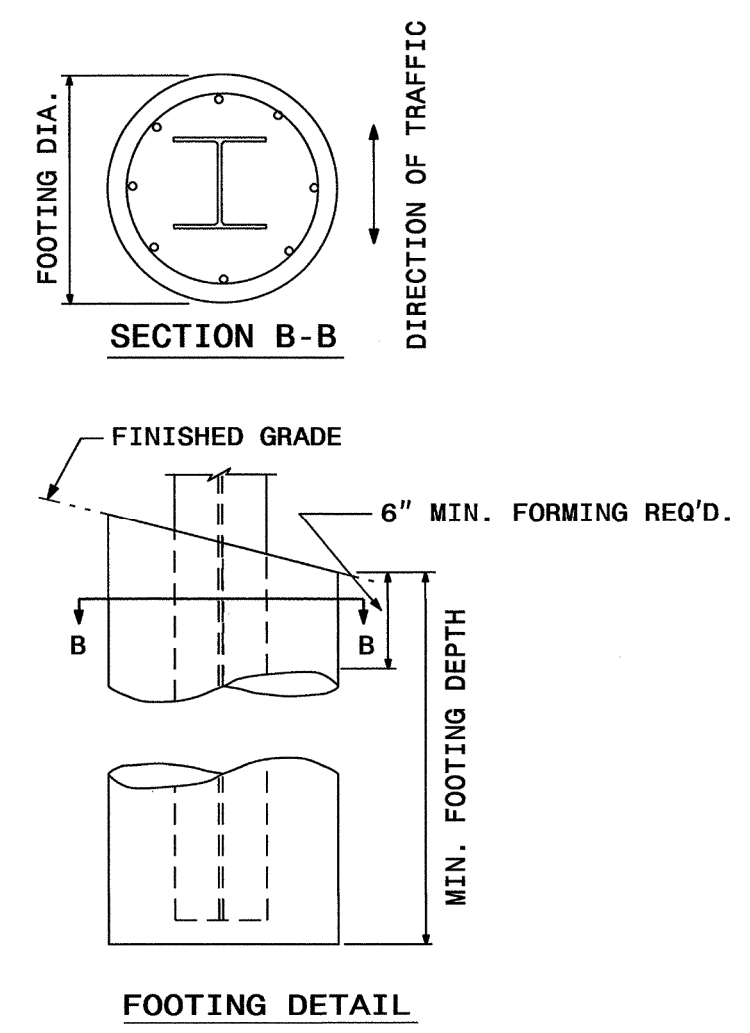
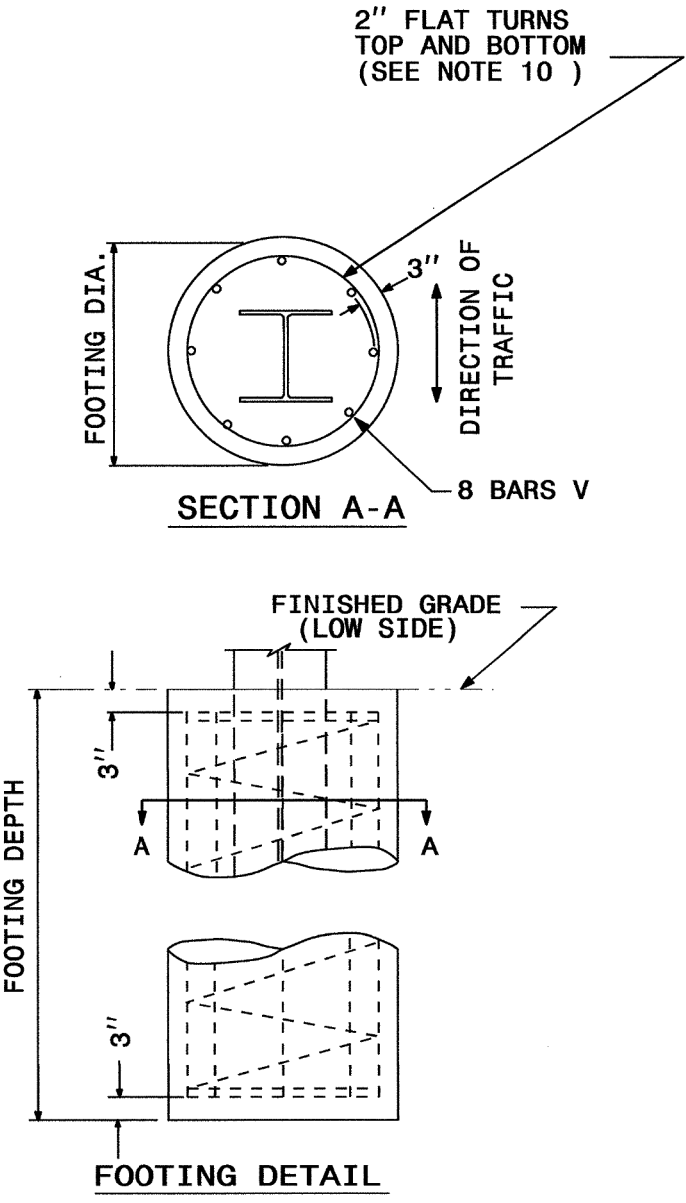


STATE OF NORTH CAROLINA  
DEPT. OF TRANSPORTATION  
DIVISION OF HIGHWAYS  
RALEIGH, N.C.

ENGLISH DETAIL DRAWING FOR  
GROUND MOUNTED SIGN SUPPORTS

SHEET 2 OF 3  
903D10

| BEAM SHAPE | BOLT SIZE         | SLIP BASE PLATE DATA |                |                |                |                |                |                |                | KEEPER PLATE DATA |                |                |                |                |                |                   |        | HINGE CONNECTION DATA |        |        |        |        |        |        |      | BOLT SIZE | F | G | H | I | J | K | L | R <sub>3</sub> | T <sub>3</sub> | BREAK AWAY SUPPORT WEIGHT CONSTANT LBS. |
|------------|-------------------|----------------------|----------------|----------------|----------------|----------------|----------------|----------------|----------------|-------------------|----------------|----------------|----------------|----------------|----------------|-------------------|--------|-----------------------|--------|--------|--------|--------|--------|--------|------|-----------|---|---|---|---|---|---|---|----------------|----------------|---|
|            |                   | A <sub>1</sub>       | B <sub>1</sub> | C <sub>1</sub> | D <sub>1</sub> | E <sub>1</sub> | T <sub>1</sub> | R <sub>1</sub> | A <sub>2</sub> | B <sub>2</sub>    | C <sub>2</sub> | D <sub>2</sub> | E <sub>2</sub> | R <sub>2</sub> | T <sub>2</sub> |                   |        |                       |        |        |        |        |        |        |      |           |   |   |   |   |   |   |   |                |                |   |
| S3X5.7     | 1/2"DIA. X 3/4"   | 7"                   | 4"             | 1"             | 3/4"           | 2 1/2"         | 1"             | 9/32"          | 7"             | 4"                | 1"             | 3/4"           | 2 1/2"         | 9/32"          | 28 GAUGE       | 1/2"DIA. X 1 3/4" | 2 1/4" | 3 1/2"                | 4"     | 1 1/2" | 1"     | 1 1/2" | 2"     | 9/32"  | 3/8" | 18        |   |   |   |   |   |   |   |                |                |   |
| S4X7.7     | 1/2"DIA. X 3/4"   | 8"                   | 4"             | 1"             | 3/4"           | 2 1/2"         | 1"             | 9/32"          | 8"             | 4"                | 1"             | 3/4"           | 2 1/2"         | 9/32"          | 28 GAUGE       | 1/2"DIA. X 1 3/4" | 2 5/8" | 3 1/2"                | 4"     | 1 1/2" | 1"     | 1 1/2" | 2"     | 9/32"  | 3/8" | 20        |   |   |   |   |   |   |   |                |                |   |
| W6X9       | 1/2"DIA. X 3/4"   | 10"                  | 5"             | 1"             | 3/4"           | 3 1/2"         | 1"             | 9/32"          | 10"            | 5"                | 1"             | 3/4"           | 3 1/2"         | 9/32"          | 28 GAUGE       | 1/2"DIA. X 1 3/4" | 4"     | 3 1/2"                | 4"     | 3/4"   | 1"     | 1 1/2" | 2"     | 9/32"  | 3/8" | 32        |   |   |   |   |   |   |   |                |                |   |
| W6X12      | 5/8"DIA. X 4"     | 11"                  | 5"             | 1 1/4"         | 7/8"           | 3 1/4"         | 1 1/4"         | 11/32"         | 11"            | 5"                | 1 1/4"         | 7/8"           | 3 1/4"         | 11/32"         | 28 GAUGE       | 5/8"DIA. X 2"     | 4"     | 4"                    | 4 1/2" | 3/4"   | 1 1/8" | 5/8"   | 2 1/4" | 11/32" | 3/8" | 39        |   |   |   |   |   |   |   |                |                |   |
| W6X16      | 5/8"DIA. X 4 1/2" | 12"                  | 6"             | 1 1/4"         | 7/8"           | 4 1/4"         | 1 1/2"         | 11/32"         | 12"            | 6"                | 1 1/4"         | 7/8"           | 4 1/4"         | 11/32"         | 28 GAUGE       | 5/8"DIA. X 2 1/4" | 4"     | 4"                    | 4 1/2" | 3/4"   | 1 1/8" | 5/8"   | 2 1/4" | 11/32" | 3/8" | 47        |   |   |   |   |   |   |   |                |                |   |
| W8X18      | 5/8"DIA. X 4 1/2" | 13 1/2"              | 6 1/2"         | 1 1/4"         | 7/8"           | 4 3/4"         | 1 1/2"         | 11/32"         | 13 1/2"        | 6 1/2"            | 1 1/4"         | 7/8"           | 4 3/4"         | 11/32"         | 28 GAUGE       | 5/8"DIA. X 2 1/4" | 5 1/4" | 4"                    | 4 1/2" | 1"     | 1 1/8" | 5/8"   | 2 1/4" | 11/32" | 3/8" | 70        |   |   |   |   |   |   |   |                |                |   |
| W8X21      | 3/4"DIA. X 4 1/2" | 14"                  | 7"             | 1 1/2"         | 1"             | 5"             | 1 1/2"         | 13/32"         | 14"            | 7"                | 1 1/2"         | 1"             | 5"             | 13/32"         | 28 GAUGE       | 3/4"DIA. X 2 1/2" | 5 1/4" | 6"                    | 7"     | 1"     | 1 3/4" | 3/4"   | 3 1/2" | 13/32" | 3/8" | 73        |   |   |   |   |   |   |   |                |                |   |
| W10X22     | 3/4"DIA. X 4 1/2" | 16"                  | 8"             | 1 1/2"         | 1"             | 6"             | 1 1/2"         | 13/32"         | 16"            | 8"                | 1 1/2"         | 1"             | 6"             | 13/32"         | 28 GAUGE       | 3/4"DIA. X 2 1/2" | 5 3/4" | 6"                    | 7"     | 1"     | 1 3/4" | 3/4"   | 3 1/2" | 13/32" | 3/8" | 119       |   |   |   |   |   |   |   |                |                |   |
| W10X26     | 3/4"DIA. X 5 1/2" | 16 1/2"              | 8"             | 1 1/2"         | 1"             | 6"             | 1 3/4"         | 13/32"         | 16 1/2"        | 8"                | 1 1/2"         | 1"             | 6"             | 13/32"         | 28 GAUGE       | 3/4"DIA. X 2 3/4" | 5 3/4" | 6"                    | 7"     | 1"     | 1 3/4" | 3/4"   | 3 1/2" | 13/32" | 5/8" | 140       |   |   |   |   |   |   |   |                |                |   |
| W12X26     | 3/4"DIA. X 5 1/2" | 18 1/2"              | 9"             | 1 1/2"         | 1"             | 7"             | 1 3/4"         | 13/32"         | 18 1/2"        | 9"                | 1 1/2"         | 1"             | 7"             | 13/32"         | 28 GAUGE       | 3/4"DIA. X 2 3/4" | 6 1/2" | 6"                    | 7"     | 1"     | 1 3/4" | 3/4"   | 3 1/2" | 13/32" | 5/8" | 176       |   |   |   |   |   |   |   |                |                |   |
| W14X30     | 1"DIA. X 6"       | 22"                  | 9"             | 2"             | 1 1/2"         | 6"             | 2"             | 17/32"         | 22"            | 9"                | 2"             | 1 1/2"         | 6"             | 17/32"         | 28 GAUGE       | 1"DIA. X 3"       | 6 3/4" | 7"                    | 8"     | 1 1/4" | 2"     | 1"     | 4"     | 17/32" | 5/8" | 205       |   |   |   |   |   |   |   |                |                |   |
| W16X31     | 1"DIA. X 6"       | 24"                  | 9"             | 2"             | 1 1/2"         | 6"             | 2"             | 17/32"         | 24"            | 9"                | 2"             | 1 1/2"         | 6"             | 17/32"         | 28 GAUGE       | 1"DIA. X 3"       | 5 1/2" | 7"                    | 8"     | 1 1/4" | 2"     | 1"     | 4"     | 17/32" | 3/4" | 223       |   |   |   |   |   |   |   |                |                |   |
| W18X35     | 1"DIA. X 6"       | 25"                  | 9"             | 2"             | 1 1/2"         | 6"             | 2"             | 17/32"         | 25"            | 9"                | 2"             | 1 1/2"         | 6"             | 17/32"         | 28 GAUGE       | 1"DIA. X 3"       | 6"     | 7"                    | 8"     | 1 1/4" | 2"     | 1"     | 4"     | 17/32" | 3/4" | 243       |   |   |   |   |   |   |   |                |                |   |
| W18X40     | 1"DIA. X 6 1/2"   | 26"                  | 9"             | 2"             | 1 1/2"         | 6"             | 2 1/4"         | 17/32"         | 26"            | 9"                | 2"             | 1 1/2"         | 6"             | 17/32"         | 28 GAUGE       | 1"DIA. X 3 1/2"   | 6"     | 7"                    | 8"     | 1 1/4" | 2"     | 1"     | 4"     | 17/32" | 7/8" | 278       |   |   |   |   |   |   |   |                |                |   |
| W21X44     | 1"DIA. X 7"       | 29"                  | 9"             | 2"             | 1 1/2"         | 6"             | 2 1/2"         | 17/32"         | 29"            | 9"                | 2"             | 1 1/2"         | 6"             | 17/32"         | 28 GAUGE       | 1"DIA. X 3 1/2"   | 6 1/2" | 7"                    | 8"     | 1 1/4" | 2"     | 1"     | 4"     | 17/32" | 7/8" | 310       |   |   |   |   |   |   |   |                |                |   |



| FOUNDATION DATA * |               |                  |
|-------------------|---------------|------------------|
| FOOTING DIAMETER  | REINFORCEMENT | SPIRAL BAR       |
| 1'-6"             | 8 # 6 BARS    | #3 BAR, 6" PITCH |
| 2'                | 8 # 7 BARS    | #3 BAR, 6" PITCH |
| 2'-6"             | 8 # 9 BARS    | #3 BAR, 6" PITCH |
| 3'                | 8 # 11 BARS   | #3 BAR, 6" PITCH |
| 3'-6"             | 8 # 12 BARS   | #3 BAR, 6" PITCH |
| 4'                | 8 # 14 BARS   | #3 BAR, 6" PITCH |

\* FOUNDATION DIMENSIONS ARE SHOWN IN PLANS

STATE OF NORTH CAROLINA  
DEPT. OF TRANSPORTATION  
DIVISION OF HIGHWAYS  
RALEIGH, N.C.

ENGLISH DETAIL DRAWING FOR  
GROUND MOUNTED SIGN SUPPORTS

SHEET 2 OF 3  
903D10

REVISED SIGNING  
ROADWAY STANDARD DRAWING

26-JUL-2013 09:50 ST:\30301\Standards and Drawings\Drawings\2012 Standard Dwg\Division 9 Find\090310\_sgn\_sht02.gm support+Revised\_7-3-13.dgn

PLANS PREPARED BY :  
**RK&K**  
RUMMEL, KLEPPER & KAHL, LLP  
900 RIDGEFIELD DRIVE SUITE 350  
RALEIGH, NORTH CAROLINA 27609-3960  
NC LICENSE NO. F-0112 • (919) 878-9560