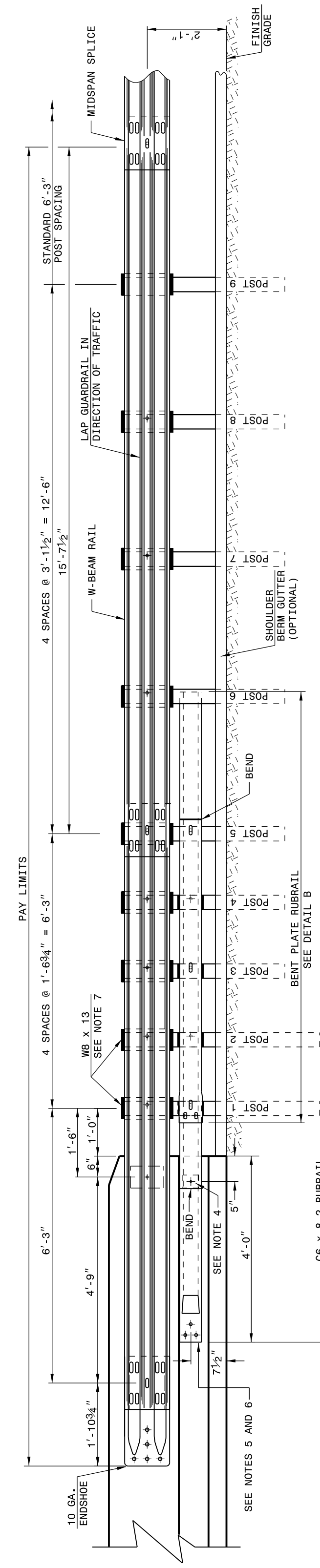


28-JUN-2017 08:36 S:\Contracts\Standard Drawings\2012 Standard Drawings\Division 8\862d01 862d03 862d03\862d03.dgn Jhoverton AT:USD-292595

STATE OF NORTH CAROLINA
DEPT. OF TRANSPORTATION
DIVISION OF HIGHWAYS
RALEIGH, N.C.

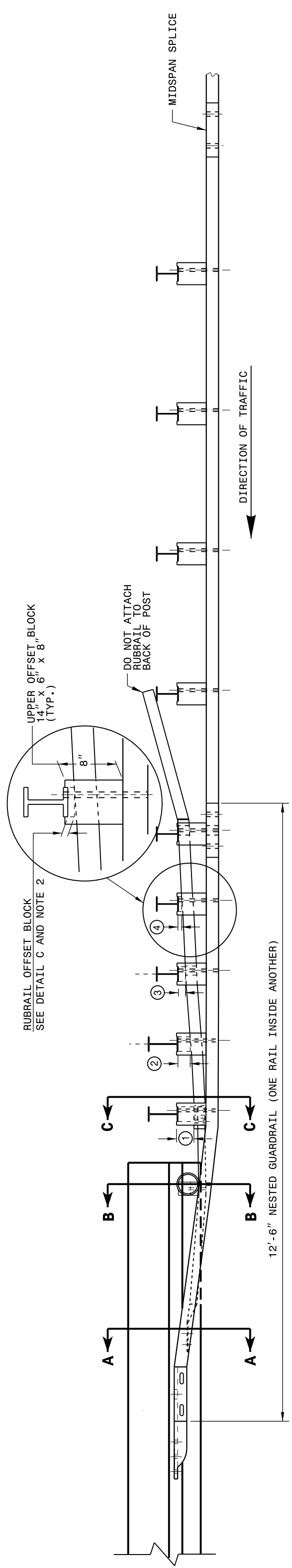
ROADWAY DETAIL DRAWING FOR
STRUCTURE ANCHOR UNIT
FOR F-SHAPE BARRIER

SHEET 4 OF 7
862D03



ELEVATION

- GENERAL NOTES:**
- POSTS 1 THROUGH 5 REQUIRE AN ADDITIONAL HOLE TO ATTACH LOWER BLOCKOUTS AND/OR RUBRAIL.
 - RUBRAIL BLOCKOUTS LOCATED ON POSTS 1 THROUGH 4 ARE OFFSET DRILLED AND SECURED WITH 5/8" BUTT WASHERS. RUBRAIL BLOCKOUTS LOCATED ON POSTS 5 THROUGH 7 ARE NOT SECURED.
 - 5/8" x 1 1/4" LONG BUTT WASHERS SHALL BE CALIBRATED TO FIT THE RUBRAIL BLOCKOUTS AND NOT SECURED.
 - SEE DETAIL D FOR SLOPED RUBRAIL BLOCKOUT. BLOCKOUT IS ATTACHED TO RAIL ELEMENT ONLY. USE 3/8" x 3" LAG BOLT WITH FLAT WASHER.
 - TOE OF THE BARRIER OR BRIDGE RAIL.
 - ANCHOR THE BARRIER OR BRIDGE RAIL AND NEW OR EXISTING BARRIERS, ANCHOR RUBRAIL USING THREE 5/8" x 6" CHEMICALLY ANCHORED BOLTS WITH WASHERS. MAXIMUM PROJECTION FOR BOLTS IS 1/2".
 - AT EXISTING BRIDGE RAIL AND NEW OR EXISTING BARRIERS, ANCHOR THE W-BEAM END SHOE USING A 4 BOLT HOLD DOWN PLATE (SEE STD. DWG. 862.041).
 - INSTALL THE W-BEAM END SHOE BEHIND THE NESTED W-BEAM ELEMENTS.
 - 1 1/2" DIA. HOLES IN THE RUBRAIL BLOCKOUT SHALL BE 1 1/2" LONG. ALL OTHER POSTS IN THE ANCHOR UNIT ARE W8 x 8.5.



PLAN

GUARDRAIL ANCHOR UNIT TYPE B-77

STATE OF NORTH CAROLINA
DEPT. OF TRANSPORTATION
DIVISION OF HIGHWAYS
RALEIGH, N.C.

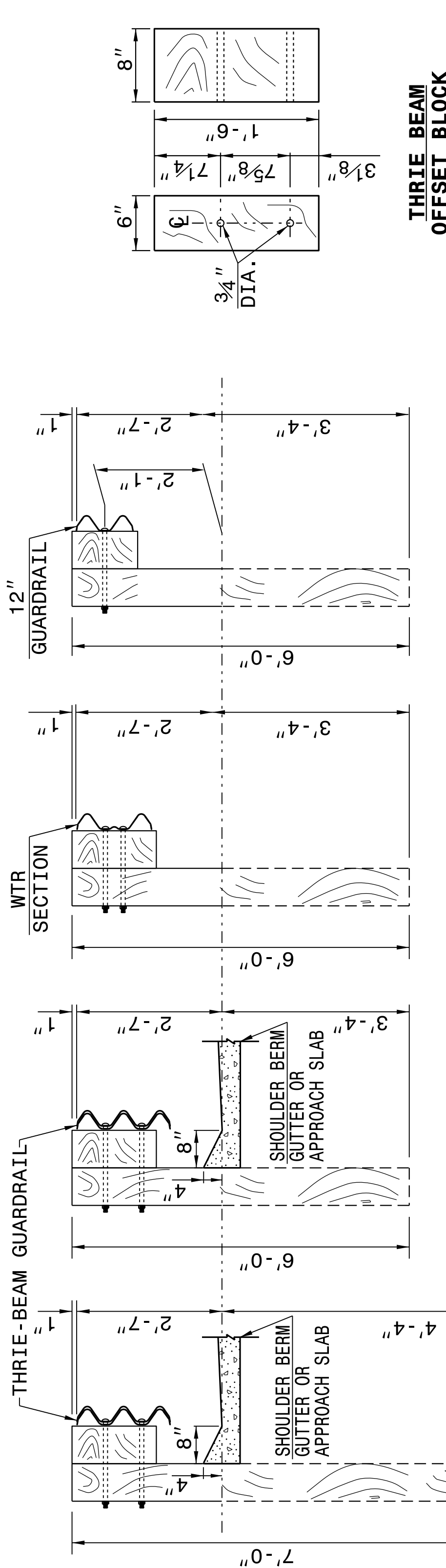
ROADWAY DETAIL DRAWING FOR
GUARDRAIL ANCHOR UNIT
GUARDRAIL ANCHOR UNIT TYPE B-77
FOR F-SHAPE BARRIER

SHEET 4 OF 7
862D03

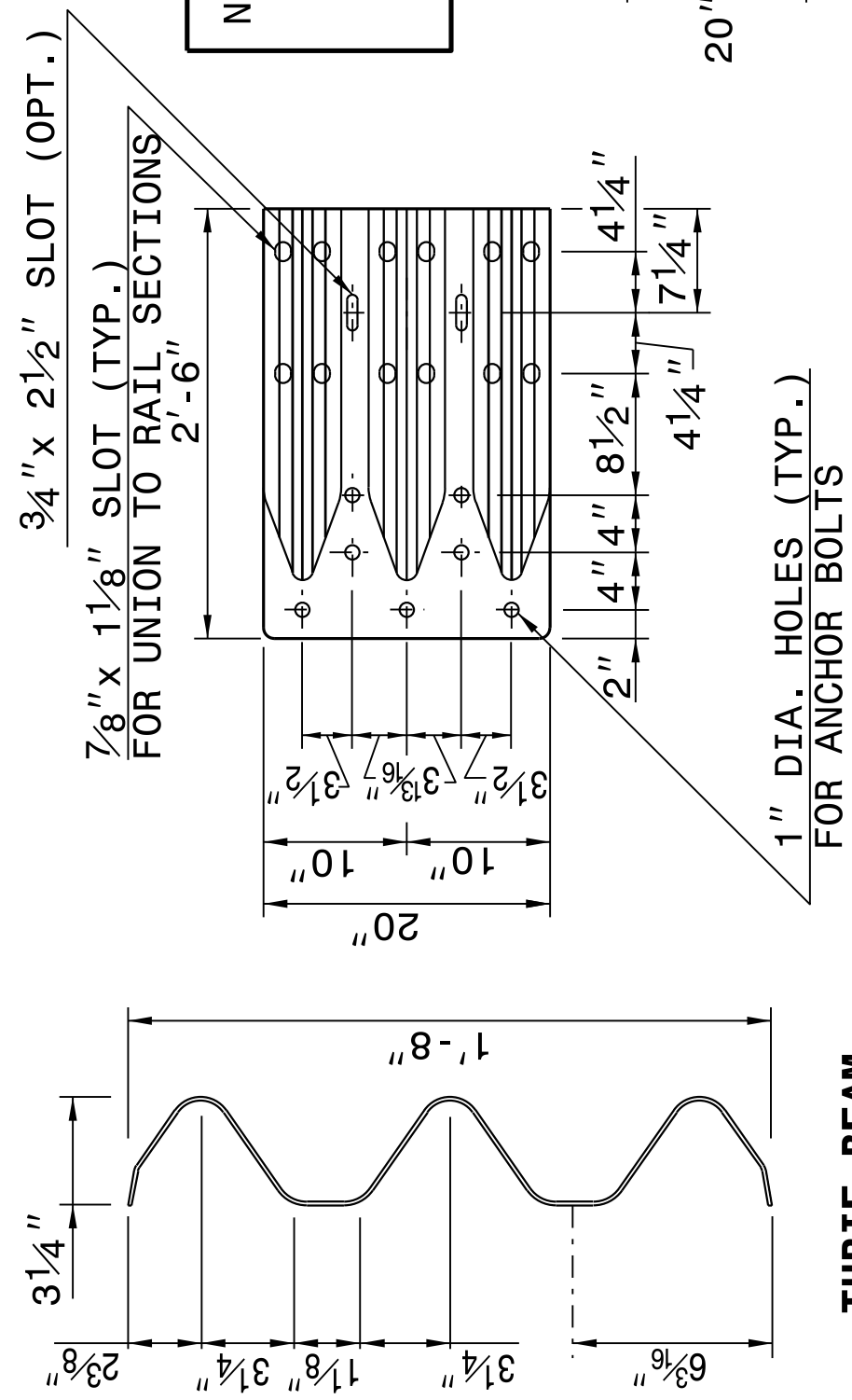
STATE OF NORTH CAROLINA
DEPT. OF TRANSPORTATION
DIVISION OF HIGHWAYS
RALEIGH, N.C.

ROADWAY DETAIL DRAWING FOR
STRUCTURE ANCHOR UNITS
GUARDRAIL ANCHOR UNIT, TYPE III

SHEET 3 OF 7
862D03



THRIE-BEAM GUARDRAIL



THRIE-BEAM SECTION

NOTE: THE MID POST AND OFFSET BLOCK OF SPECIAL BOLT HOLE DRILLING IN THE THRIE BEAM OFFSET BLOCK AND LINE POST.

WTR SECTION ELEVATION VIEW

STATE OF NORTH CAROLINA
DEPT. OF TRANSPORTATION
DIVISION OF HIGHWAYS
RALEIGH, N.C.

ROADWAY DETAIL DRAWING FOR
STRUCTURE ANCHOR UNITS
GUARDRAIL ANCHOR UNIT, TYPE III

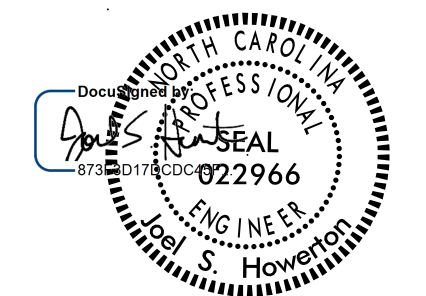
SHEET 3 OF 7
862D03

DOCUMENT NOT CONSIDERED FINAL
UNLESS ALL SIGNATURES COMPLETED

**CONTRACT STANDARDS
AND DEVELOPMENT UNIT**
Office 919-707-6950 FAX 919-250-4119

SEE TITLE BLOCK

ORIGINAL BY: J HOWERTON	DATE: 06-22-12
MODIFIED BY:	DATE:
CHECKED BY:	DATE:
FILE SPEC.:	DATE:



10/9/2017