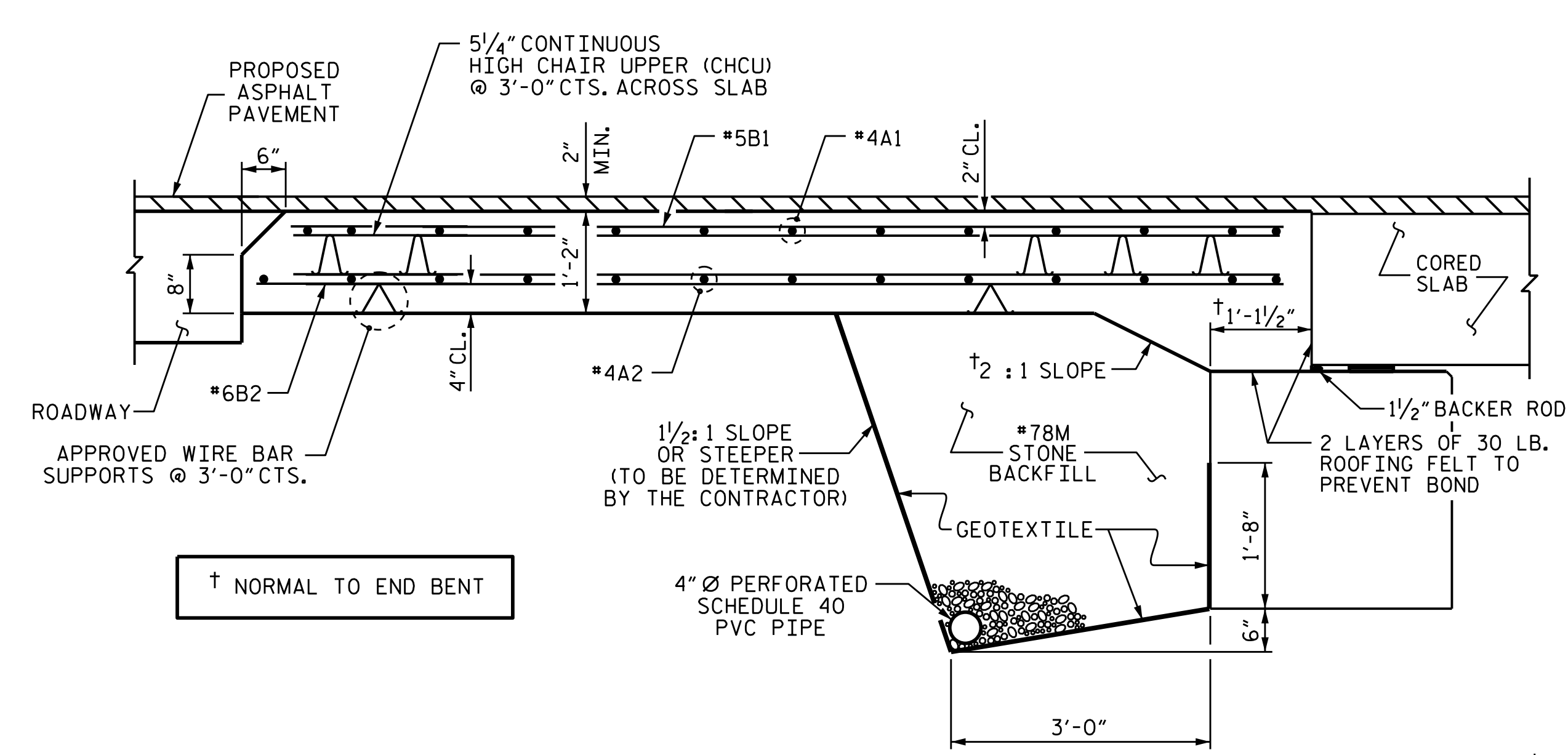
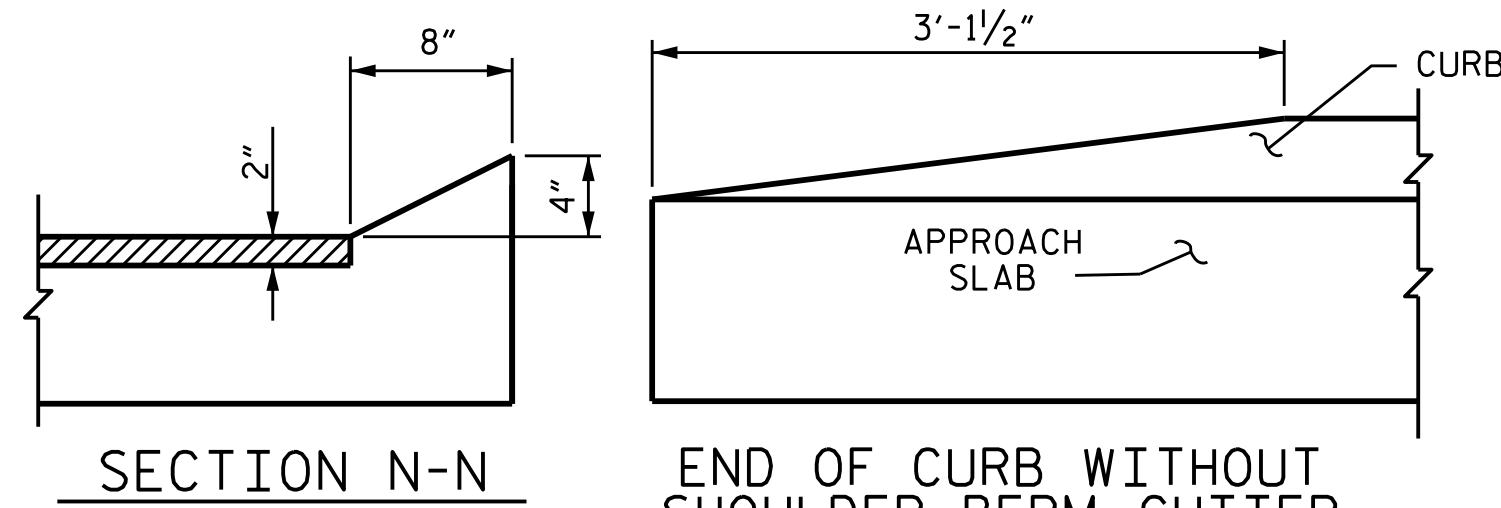


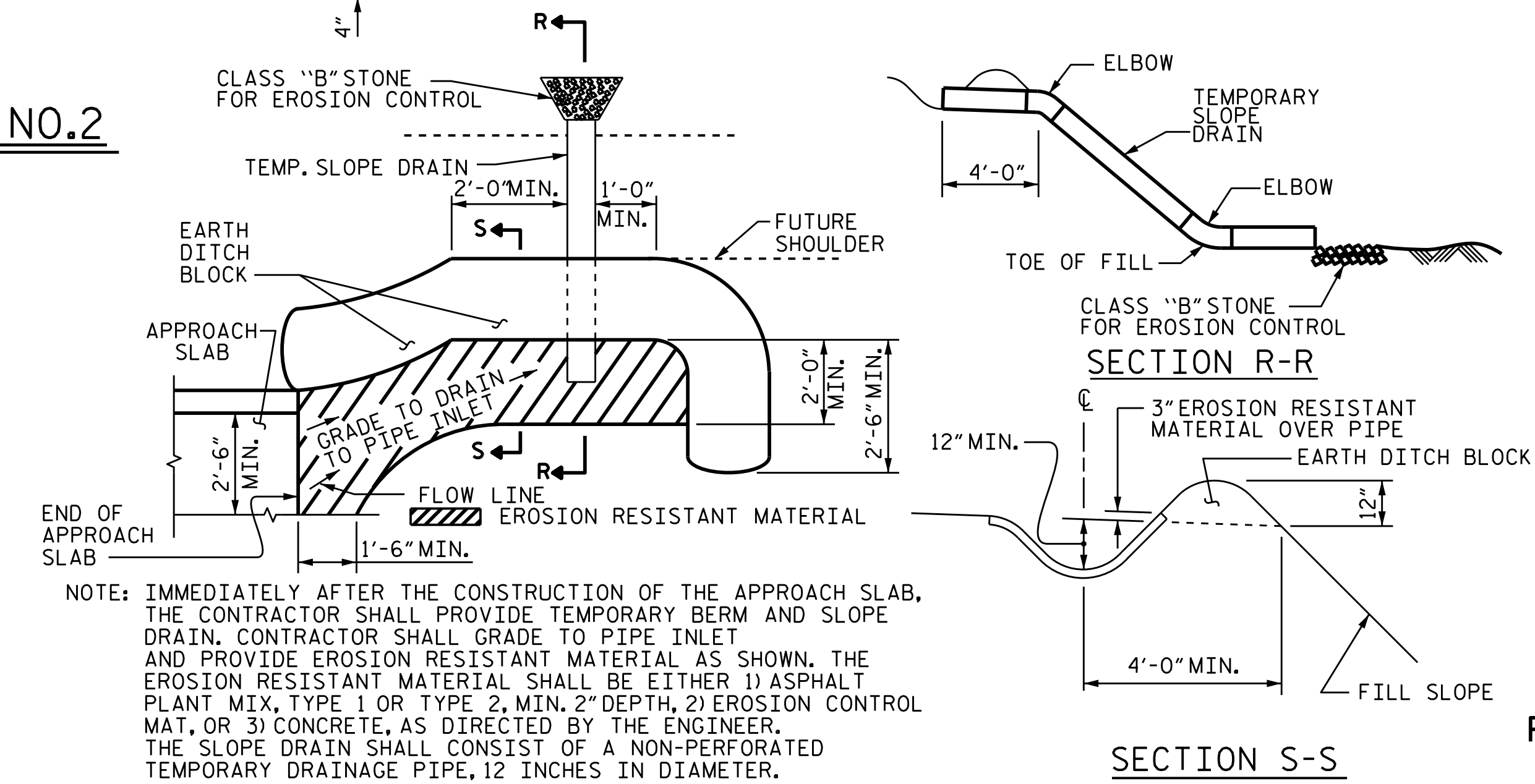
**PLAN @ END BENT NO.1    PLAN @ END BENT NO.2**  
 DIMENSIONS SHOWN ARE TYPICAL FOR BOTH APPROACH SLABS



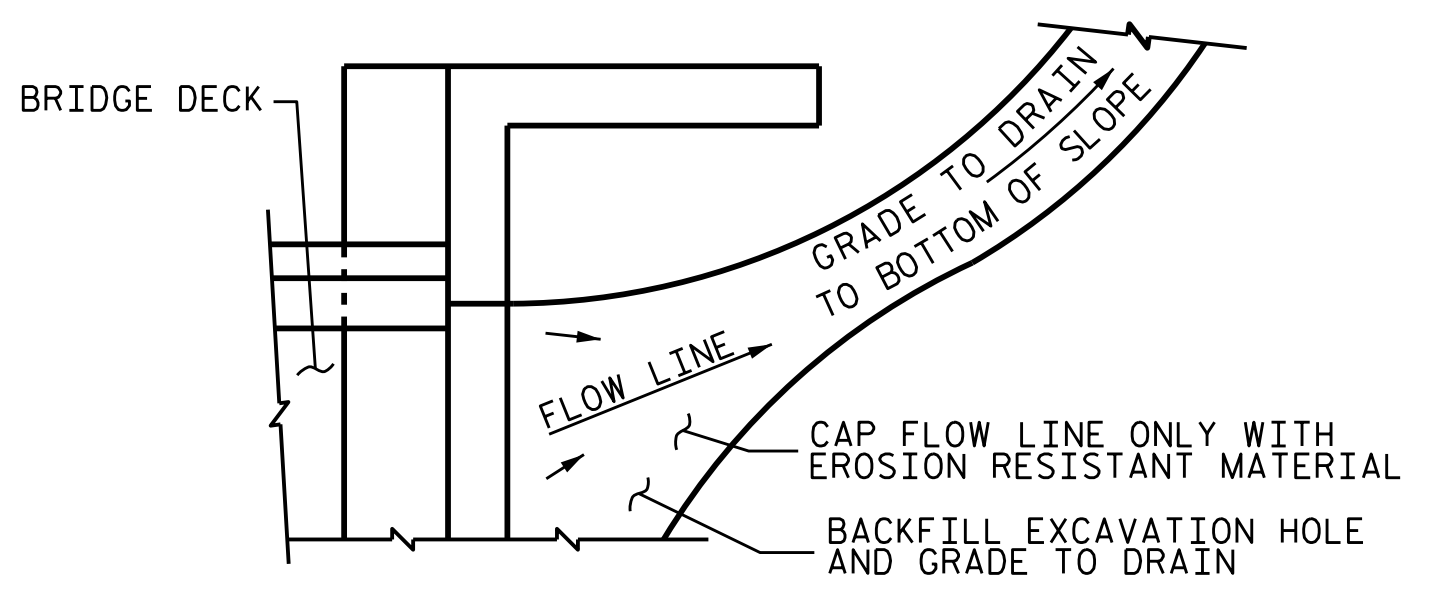
**SECTION THRU SLAB**



**CURB DETAILS**



**TEMPORARY BERM AND SLOPE DRAIN DETAILS**  
 (TO BE USED WHEN SHOULDER BERM GUTTER IS REQUIRED)



**TEMPORARY DRAINAGE DETAIL**

**NOTES**

FOR BRIDGE APPROACH FILL INCLUDING GEOTEXTILE, 4" Ø DRAINAGE PIPE, AND #78M STONE BACKFILL, SEE ROADWAY PLANS.

GEOTEXTILE SHALL BE TYPE 1 IN ACCORDANCE WITH THE STANDARD SPECIFICATIONS SECTION 1056.

#78M STONE BACKFILL (CLASS V SELECT MATERIAL) SHALL BE IN ACCORDANCE WITH STANDARD SPECIFICATIONS SECTION 1016.

#78M STONE BACKFILL IS TO BE CONTINUOUS ALONG FILL FACE OF BACKWALL FROM OUTSIDE EDGE TO OUTSIDE EDGE OF APPROACH SLAB.

FOR THE 4" Ø DRAINAGE PIPE OUTLET(S), SEE ROADWAY STANDARD DRAWINGS.

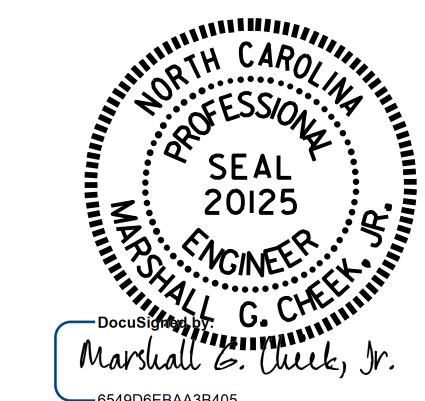
AREA BETWEEN THE WINGWALL AND APPROACH SLAB SHALL BE GRADED TO DRAIN THE WATER AWAY FROM THE FILL FACE OF THE BRIDGE AND SHALL BE PAVED. SEE ROADWAY PLANS.

APPROACH SLAB GROOVING IS NOT REQUIRED.

BILL OF MATERIAL					
APPROACH SLAB AT EB NO. 1					
BAR	NO.	SIZE	TYPE	LENGTH	WEIGHT
*A1	13	#4	STR	25'-10"	224
A2	13	#4	STR	25'-10"	224
*B1	52	#5	STR	11'-2"	606
B2	52	#6	STR	11'-8"	911
REINFORCING STEEL				LBS.	1135
* EPOXY COATED REINFORCING STEEL				LBS.	830
CLASS AA CONCRETE				CU. YDS.	15.0
APPROACH SLAB AT EB NO. 2					
BAR	NO.	SIZE	TYPE	LENGTH	WEIGHT
*A1	13	#4	STR	25'-10"	224
A2	13	#4	STR	25'-10"	224
*B1	52	#5	STR	11'-2"	606
B2	52	#6	STR	11'-8"	911
REINFORCING STEEL				LBS.	1135
* EPOXY COATED REINFORCING STEEL				LBS.	830
CLASS AA CONCRETE				CU. YDS.	15.0

SPLICE LENGTHS		
BAR SIZE	EPOXY COATED	UNCOATED
#4	2'-0"	1'-9"
#5	2'-6"	2'-2"
#6	3'-10"	2'-7"

PROJECT NO. B-5391  
ALEXANDER COUNTY  
 STATION: 14+56.30 -L-



STATE OF NORTH CAROLINA  
 DEPARTMENT OF TRANSPORTATION  
 RALEIGH  
**STANDARD BRIDGE APPROACH SLAB FOR PRESTRESSED CONCRETE CORED SLAB UNIT (SUB-REGIONAL TIER) 90° SKEW**

ASSEMBLED BY : G.KOUCHEKI    DATE : 10/20/16  
 CHECKED BY : E.K.POPE    DATE : 12/1/16  
 DRAWN BY : SHS/MAA 5-09    REV. 9-15    MAA/TMG  
 CHECKED BY : BCH 5-09

REVISIONS						SHEET NO.
NO.	BY:	DATE:	NO.	BY:	DATE:	S-12
1			3			TOTAL SHEETS 12
2			4			

DOCUMENT NOT CONSIDERED FINAL UNLESS ALL SIGNATURES COMPLETED