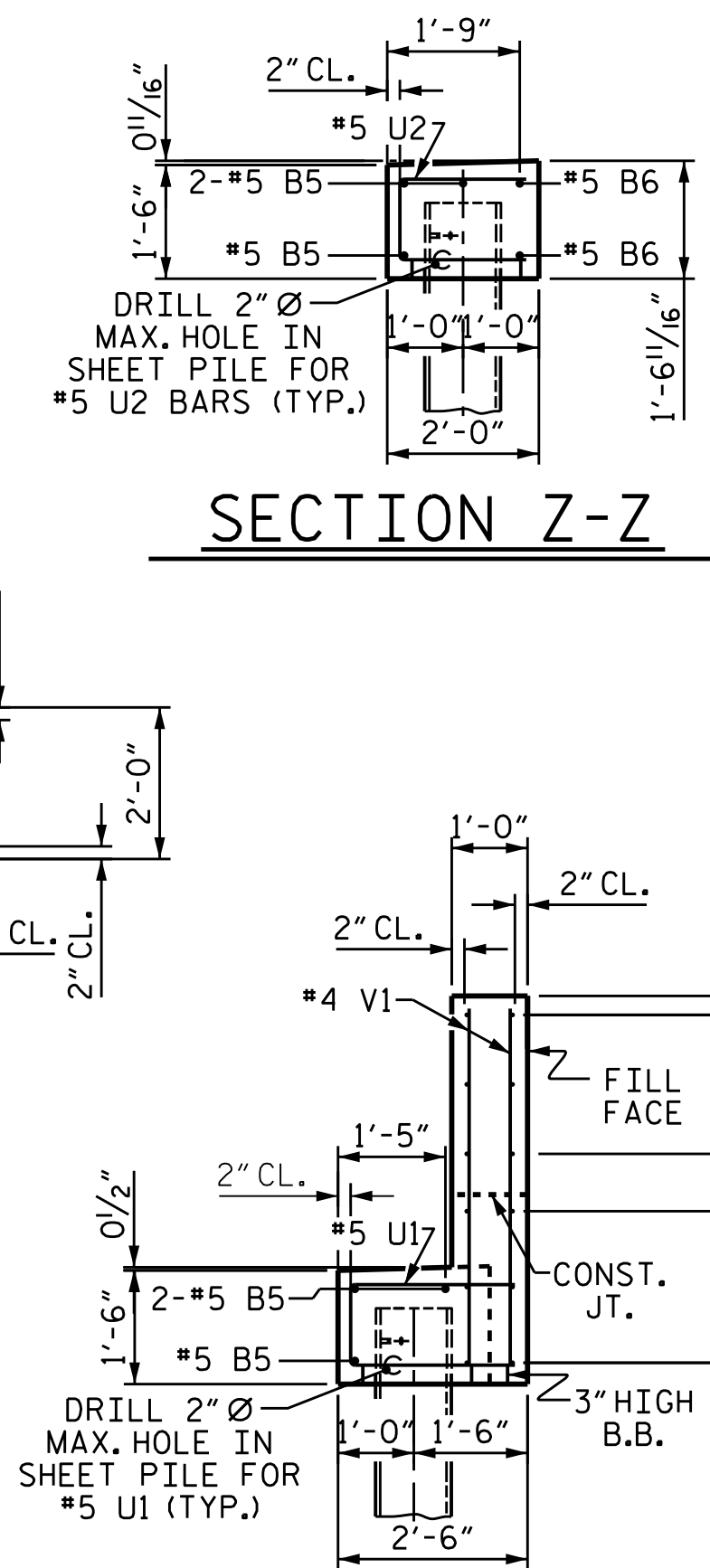
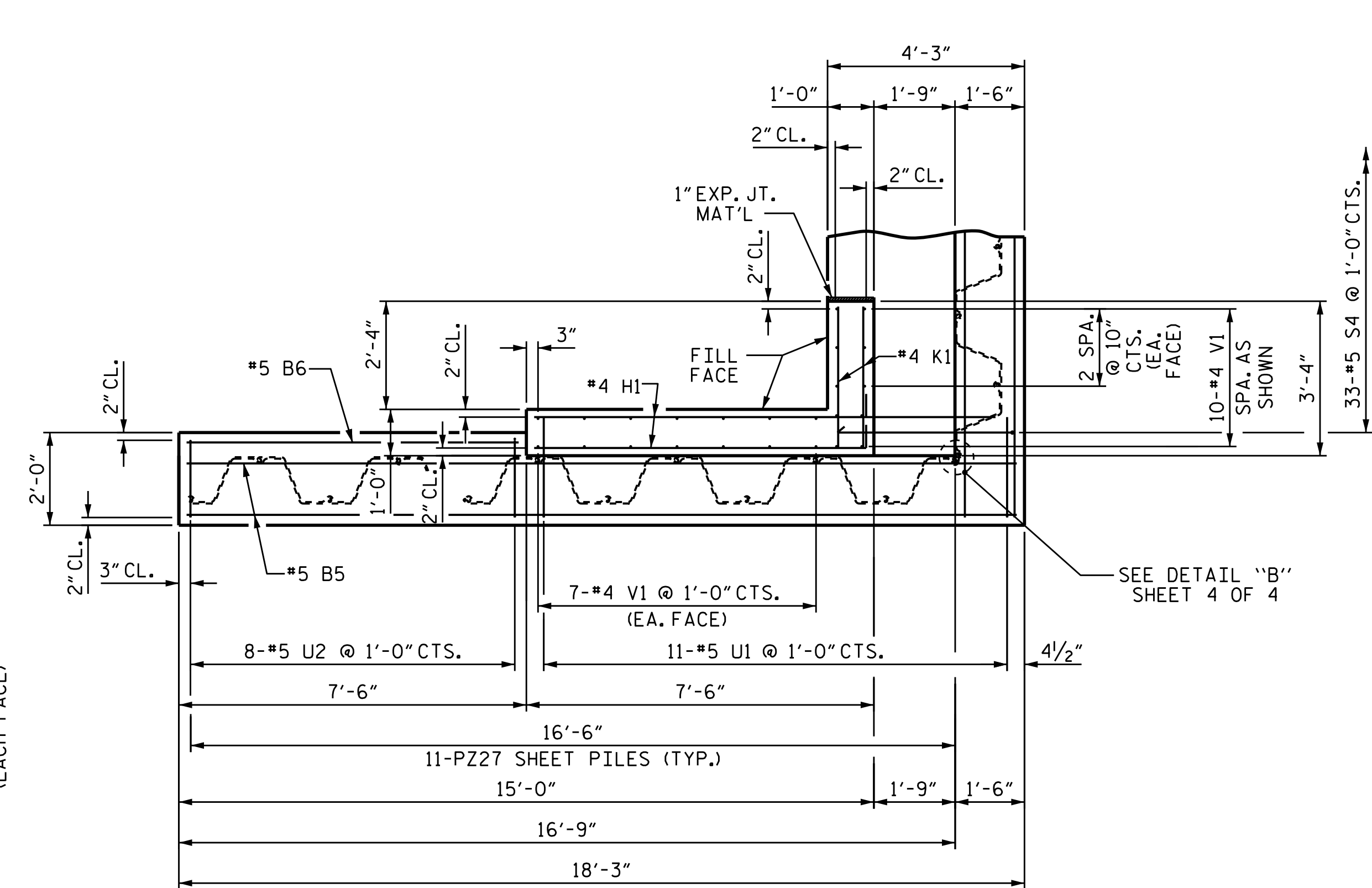


PLAN OF WING (W1)

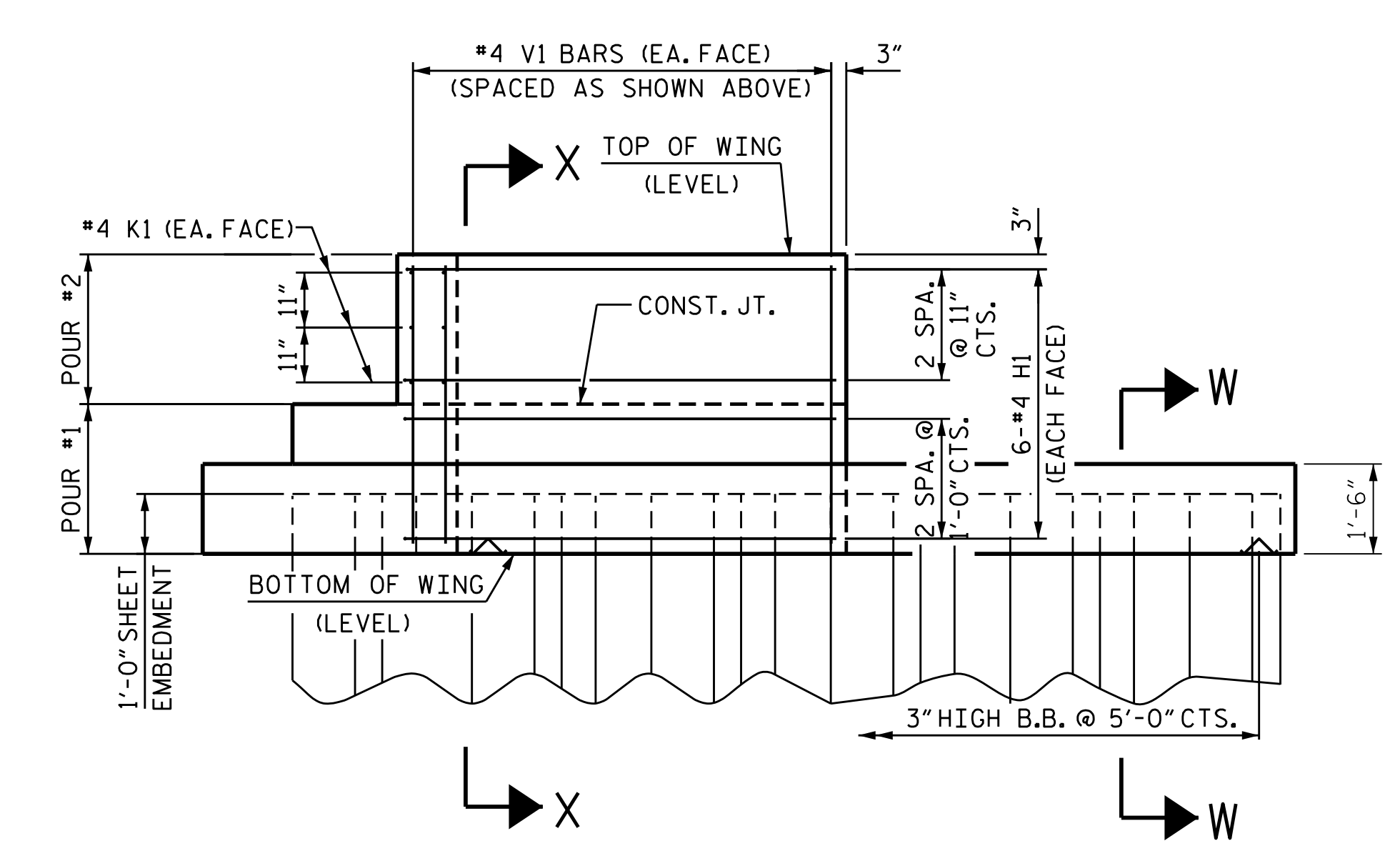


SECTION Z-Z

SECTION Y-Y

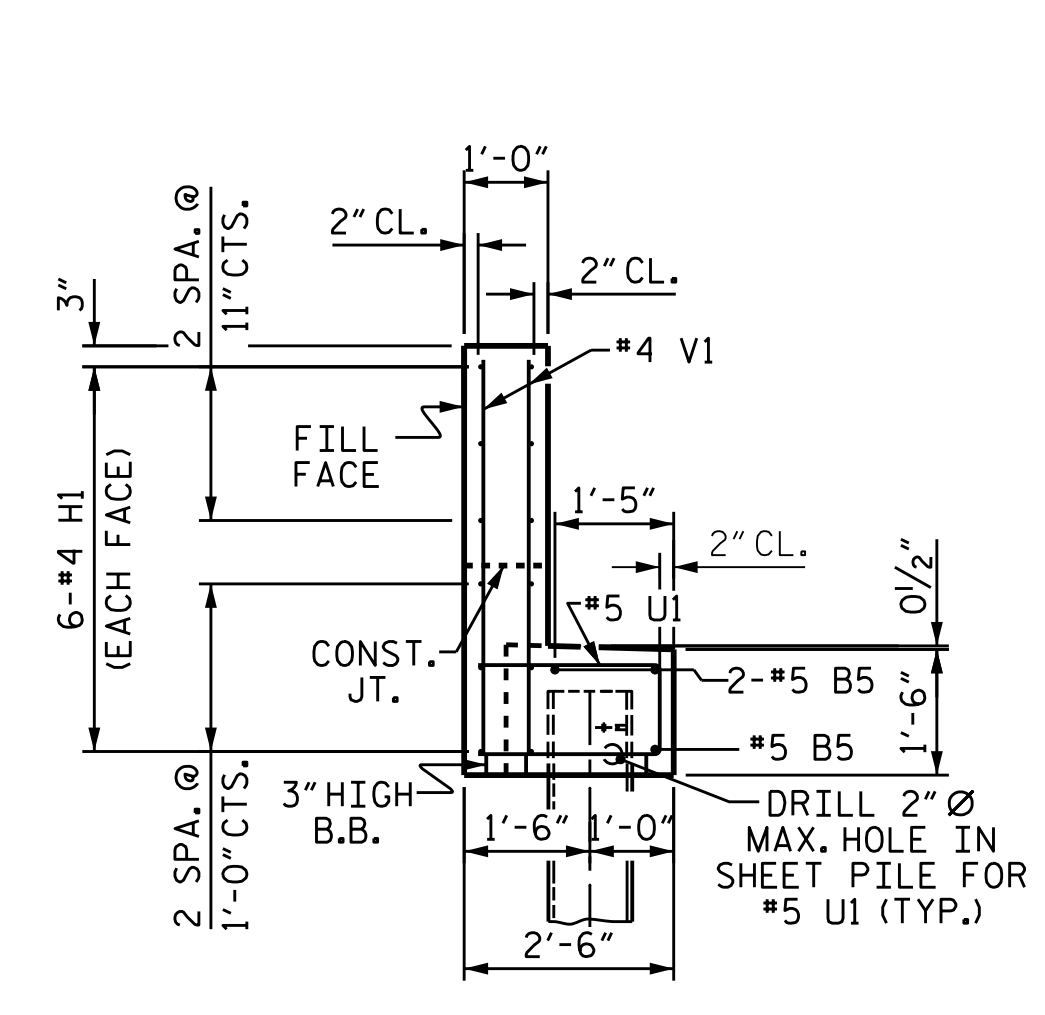


PLAN OF WING (W2)



ELEVATION OF WING (W1)

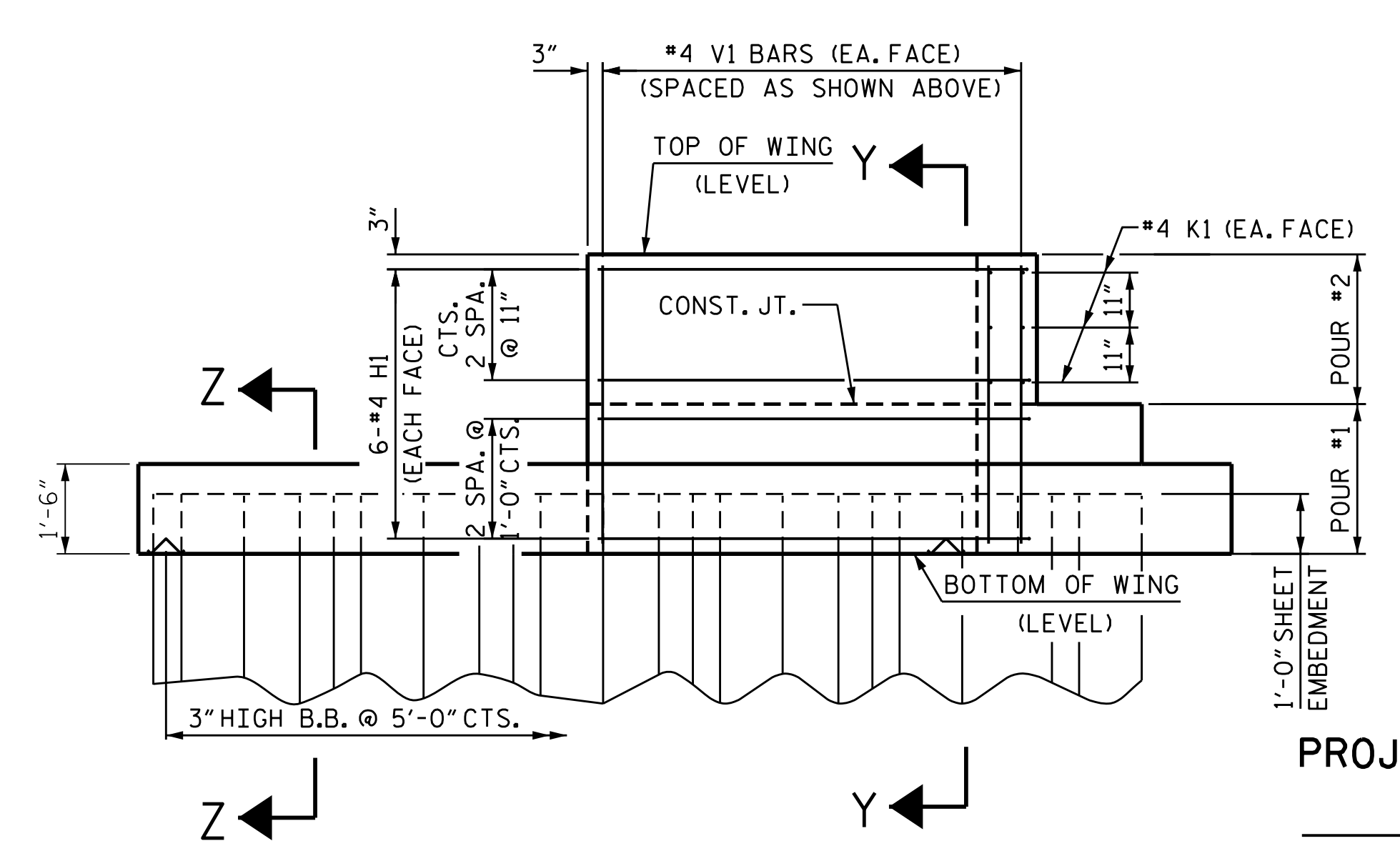
COPING REINFORCING STEEL NOT SHOWN



SECTION X-X

SECTION W-W

WING DETAILS



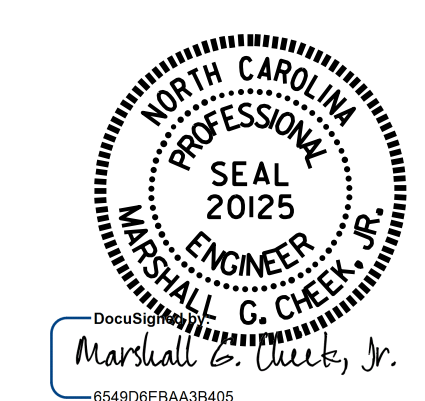
ELEVATION OF WING (W2)

COPING REINFORCING STEEL NOT SHOWN

DRAWN BY : H. T. BARBOUR DATE : 5-22-17
 CHECKED BY : M. G. CHEEK DATE : 8-17
 DESIGN ENGINEER OF RECORD : H. A. LOCKLEAR DATE : 10-17

02-DCT-2017 14:36
 E:\ITP\Projects-B\B5391\Structures\FINAL PLANS\401.019.B-5391.SMU.EB03.10.0101391.dgn
 mcheek

DOCUMENT NOT CONSIDERED
 FINAL UNLESS ALL
 SIGNATURES COMPLETED



10/2/2017

PROJECT NO. B-5391
 ALEXANDER COUNTY
 STATION: 14+56.30 -L-
 SHEET 3 OF 4

STATE OF NORTH CAROLINA DEPARTMENT OF TRANSPORTATION RALEIGH					
SUBSTRUCTURE END BENTS No. 1 & No. 2 WING DETAILS					
REVISIONS					
NO.	BY:	DATE:	NO.	BY:	DATE:
1			3		
2			4		
					SHEET NO. S-10
					TOTAL SHEETS 12