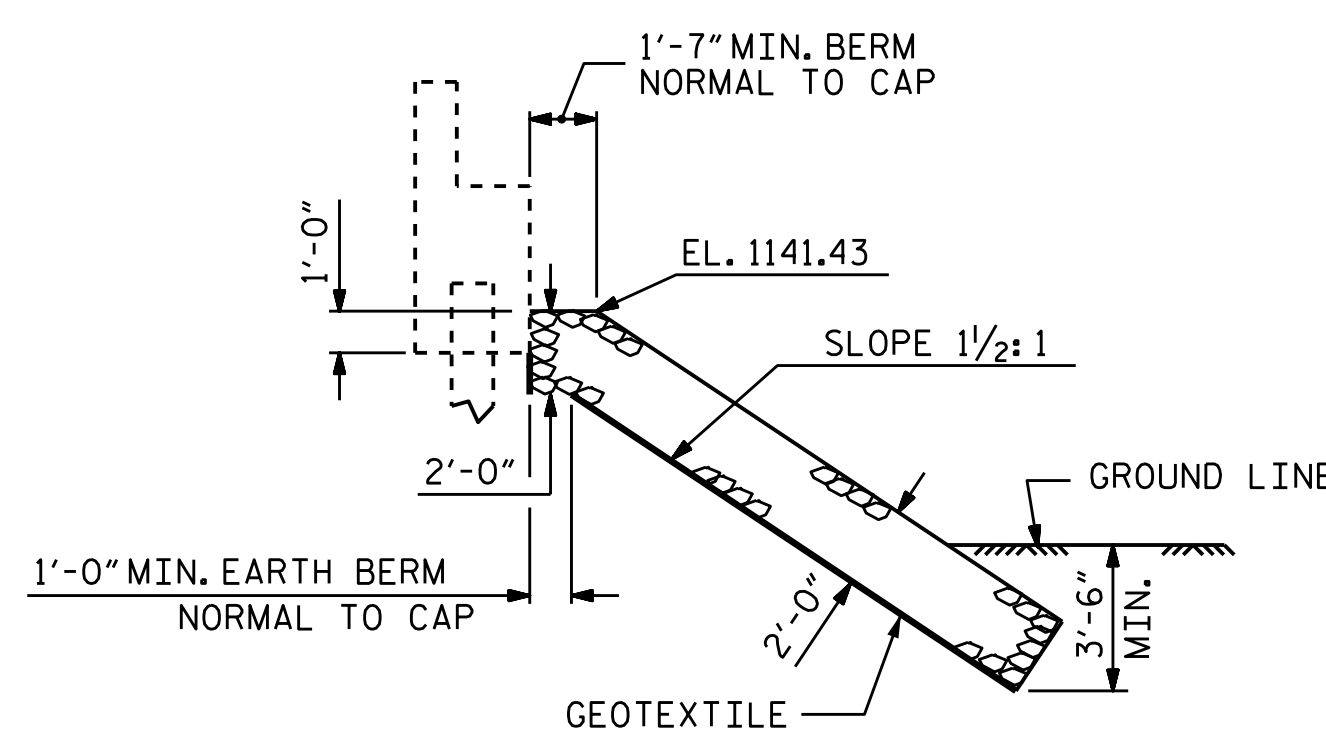
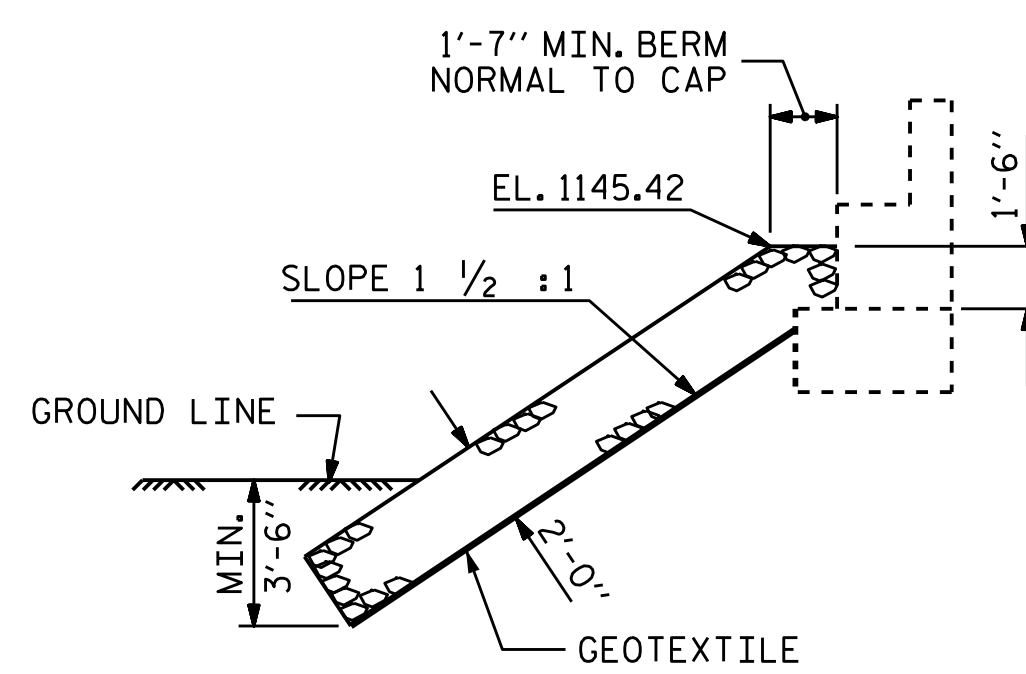


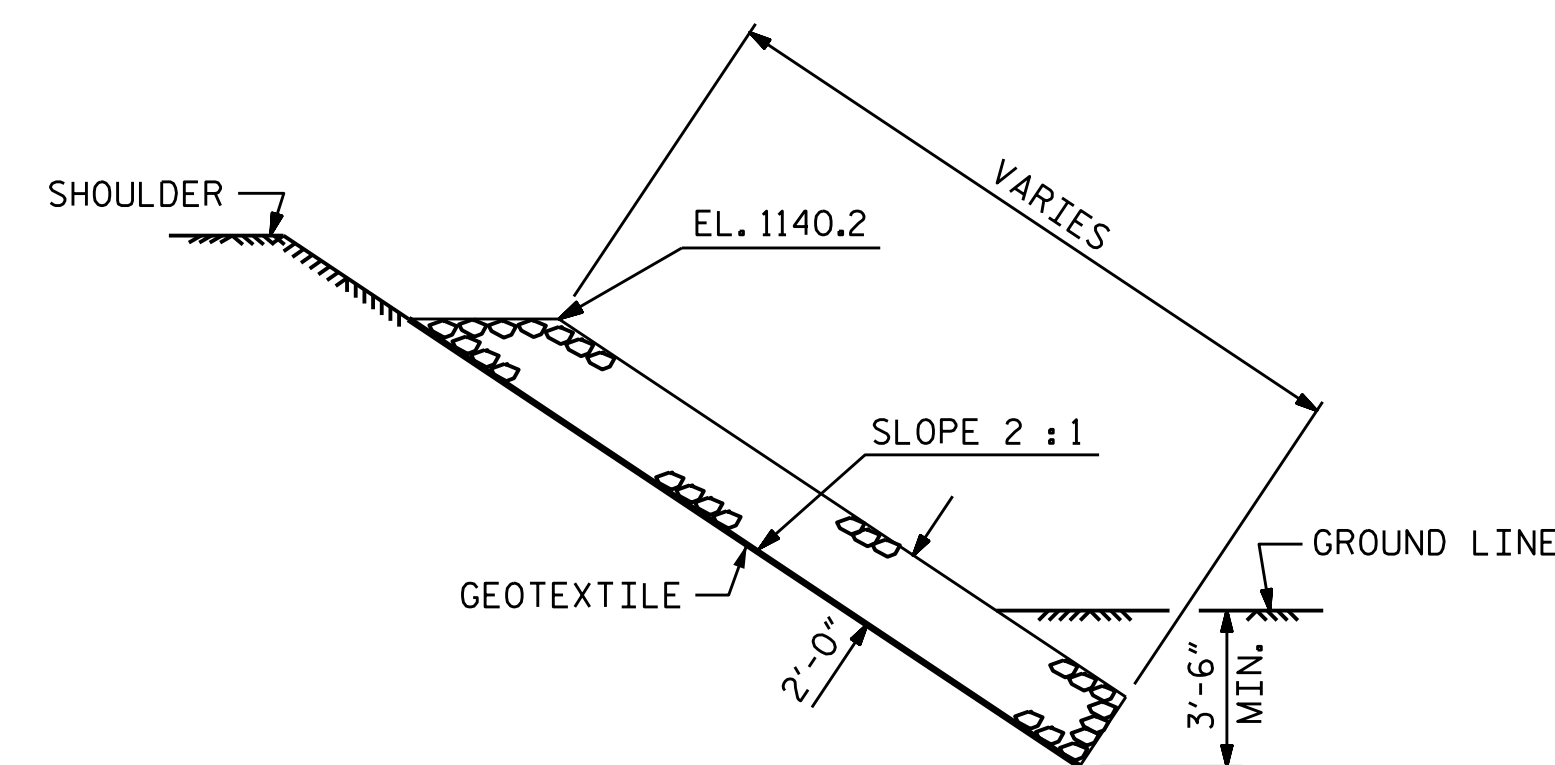
ESTIMATED QUANTITIES		
BRIDGE @ STA. 12+36.12 -L-	RIP RAP CLASS II (2'-0" THICK)	GEOTEXTILE FOR DRAINAGE
	TONS	SQUARE YARDS
END BENT 1	75	80
END BENT 2	150	165
TOTAL	225	245



SECTION H-H



SECTION J-J



SECTION C-C

PROJECT NO. B-4978
WILKES COUNTY
 STATION: 12+36.12 -L-



DocuSigned by:
 Amber M. Lee
 10/12/2017

STATE OF NORTH CAROLINA
 DEPARTMENT OF TRANSPORTATION
 RALEIGH
 STANDARD
 = RIP RAP DETAILS =

ASSEMBLED BY : T.L. AVERETTE DATE : 7/2017
 CHECKED BY : E.K. POPE DATE : 7/2017
 DRAWN BY : REK 1/84 REV. 5/1/06R TLA/GM
 CHECKED BY : ROU 1/84 REV. 10/1/11 MAA/GM
 REV. 12/21/11 MAA/GM

DOCUMENT NOT CONSIDERED
 FINAL UNLESS ALL
 SIGNATURES COMPLETED

REVISIONS						SHEET NO.	
NO.	BY:	DATE:	NO.	BY:	DATE:	S-18	
1			3			TOTAL SHEETS 19	
2			4				