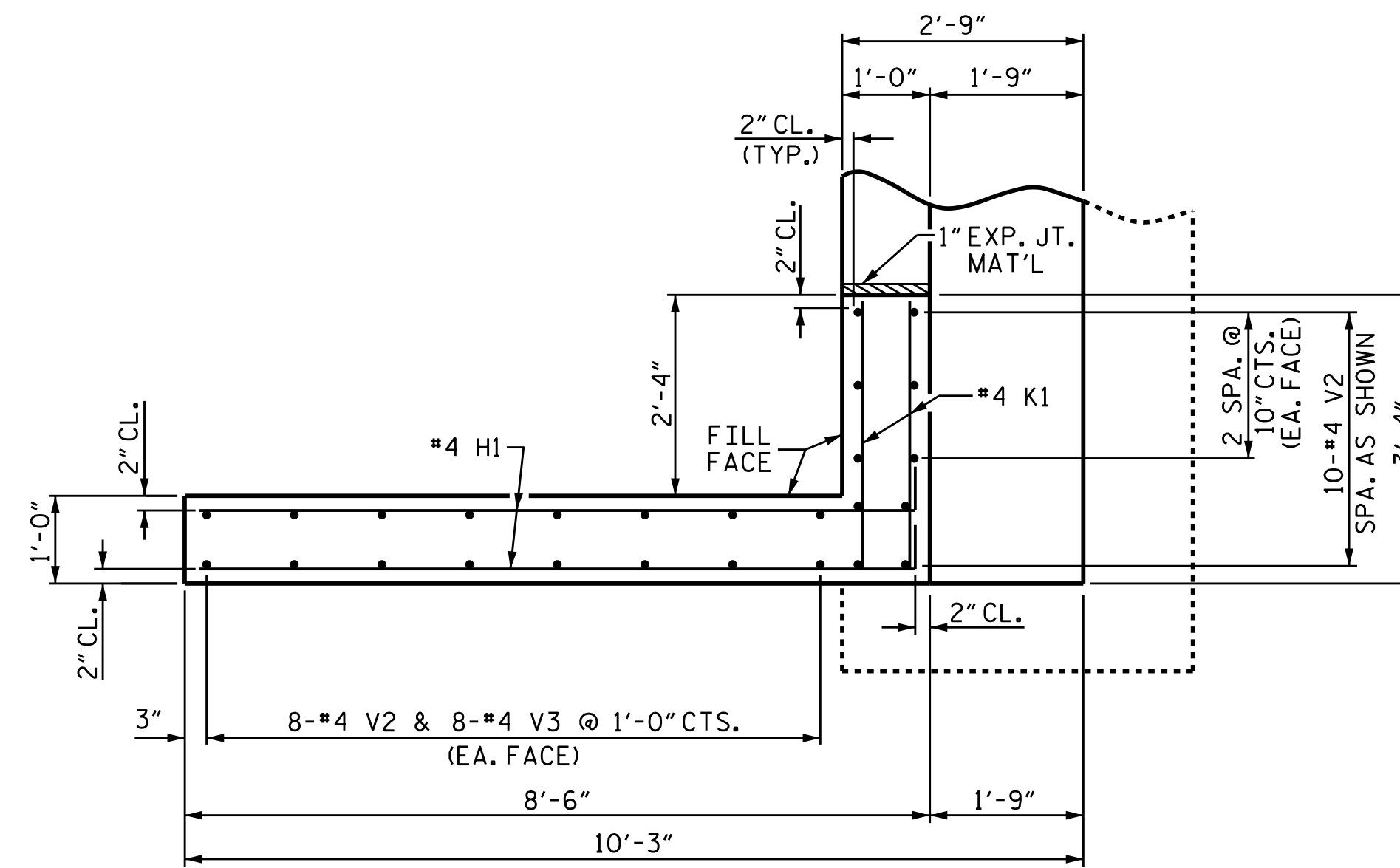
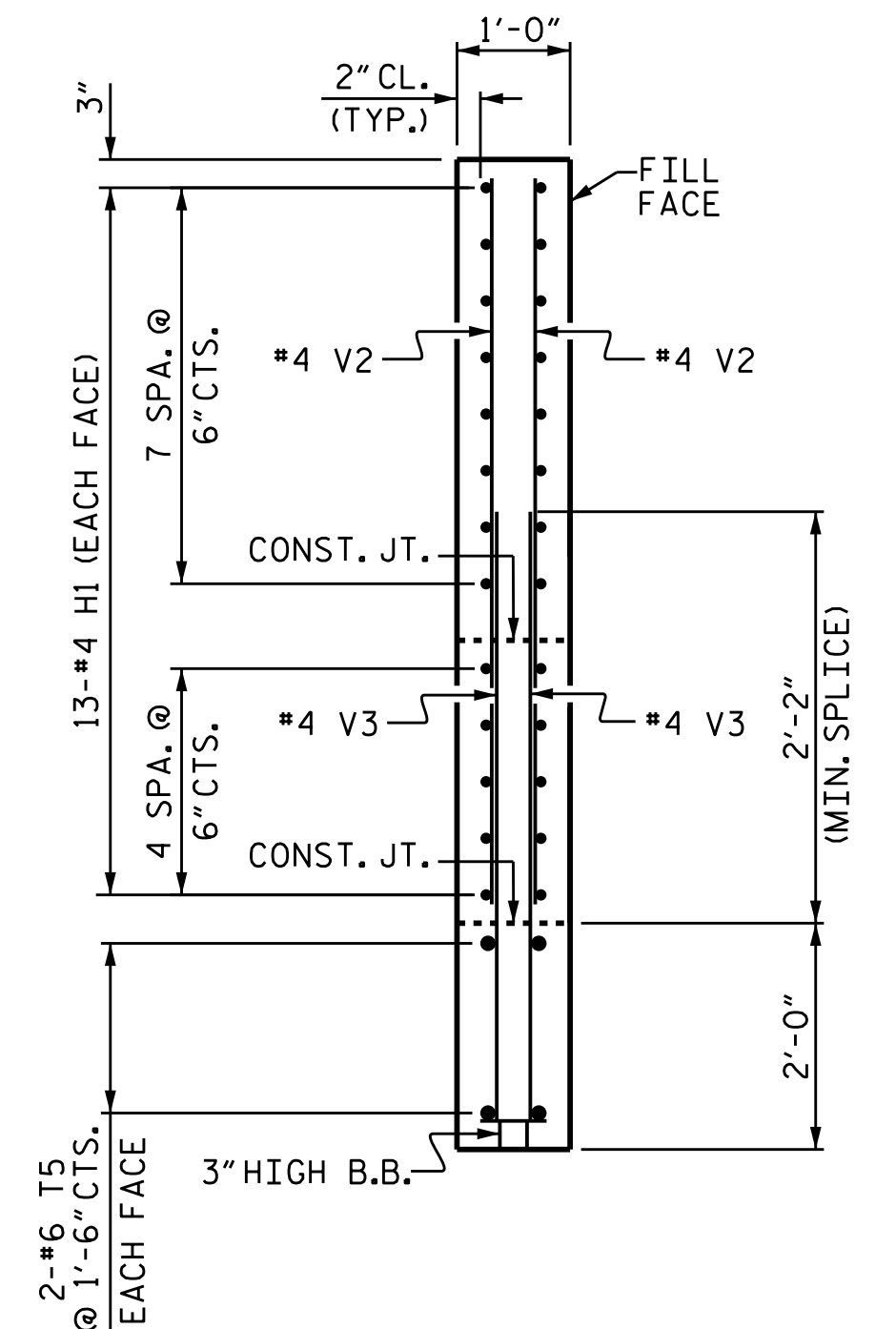


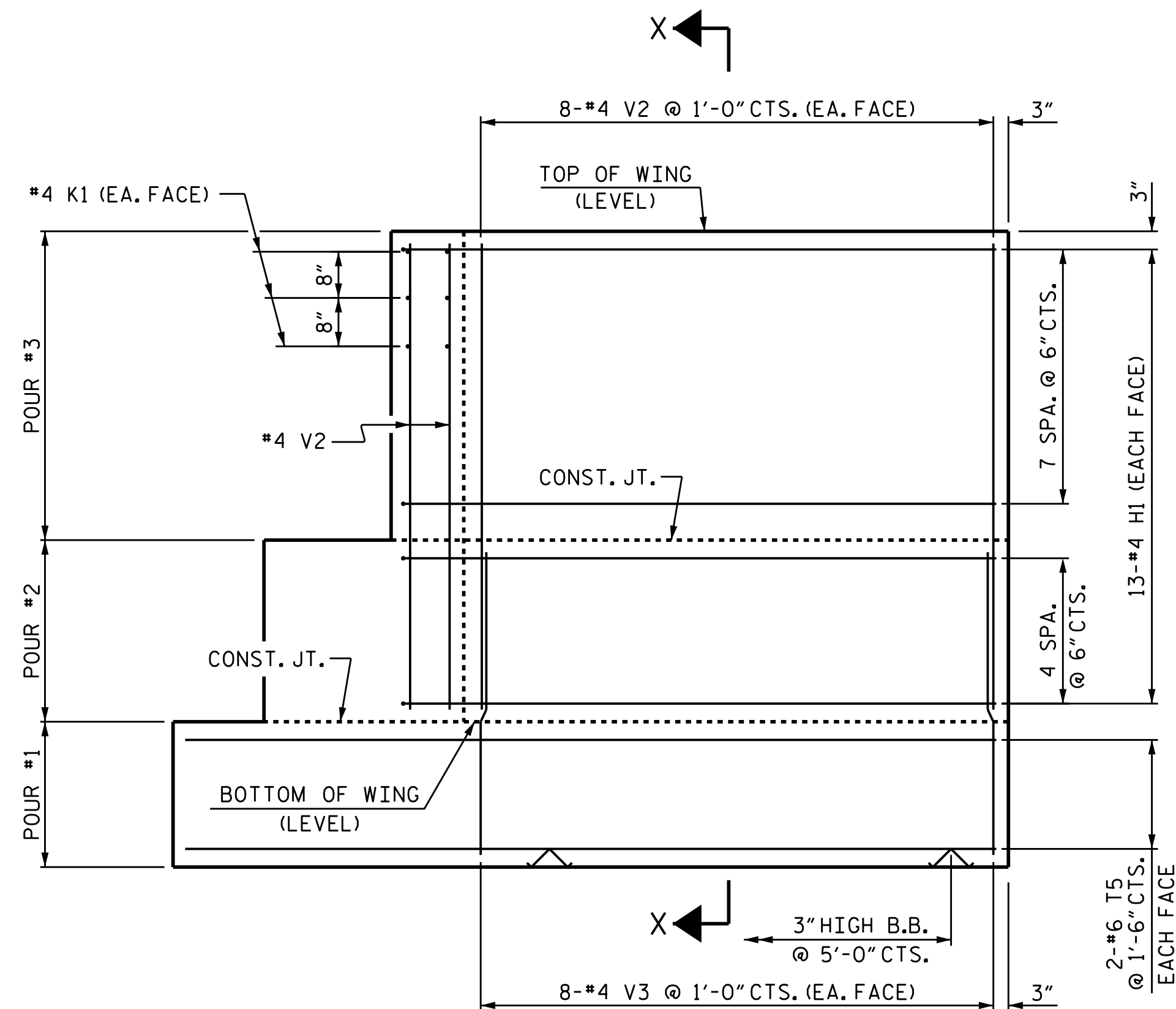
PLAN OF WING (W1)



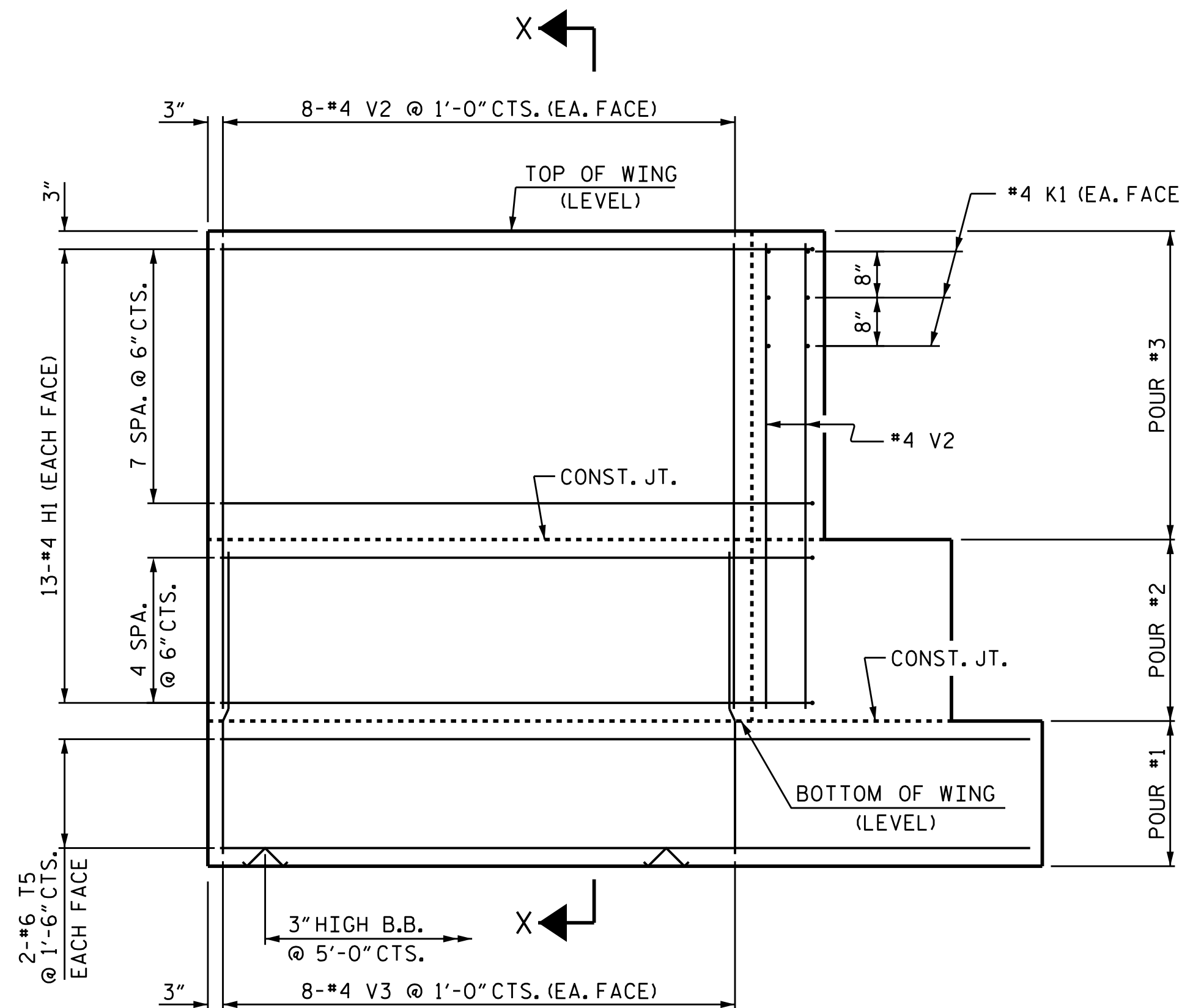
PLAN OF WING (W2)



SECTION X-X

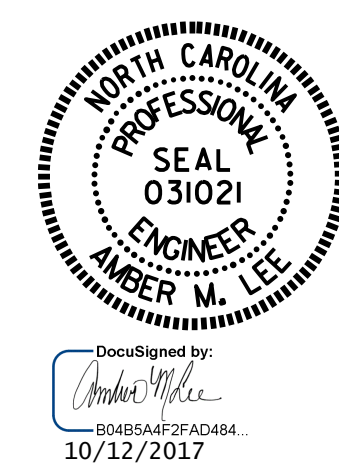


ELEVATION OF WING (W1)



ELEVATION OF WING (W2)

PROJECT NO. B-4978
 WILKES COUNTY
 STATION: 12+36.12 -L-
 SHEET 3 OF 4



STATE OF NORTH CAROLINA
 DEPARTMENT OF TRANSPORTATION
 RALEIGH

SUBSTRUCTURE
 END BENT 2

DRAWN BY : A. SORSENGINH DATE : 10-9-17
 CHECKED BY : H. I. BARBOUR DATE : 10-11-17
 DESIGN ENGINEER OF RECORD: A. SORSENGINH DATE : 10-11-17

DOCUMENT NOT CONSIDERED
 FINAL UNLESS ALL
 SIGNATURES COMPLETED

REVISIONS						SHEET NO.
NO.	BY:	DATE:	NO.	BY:	DATE:	S-16
1			3			TOTAL SHEETS
2			4			19