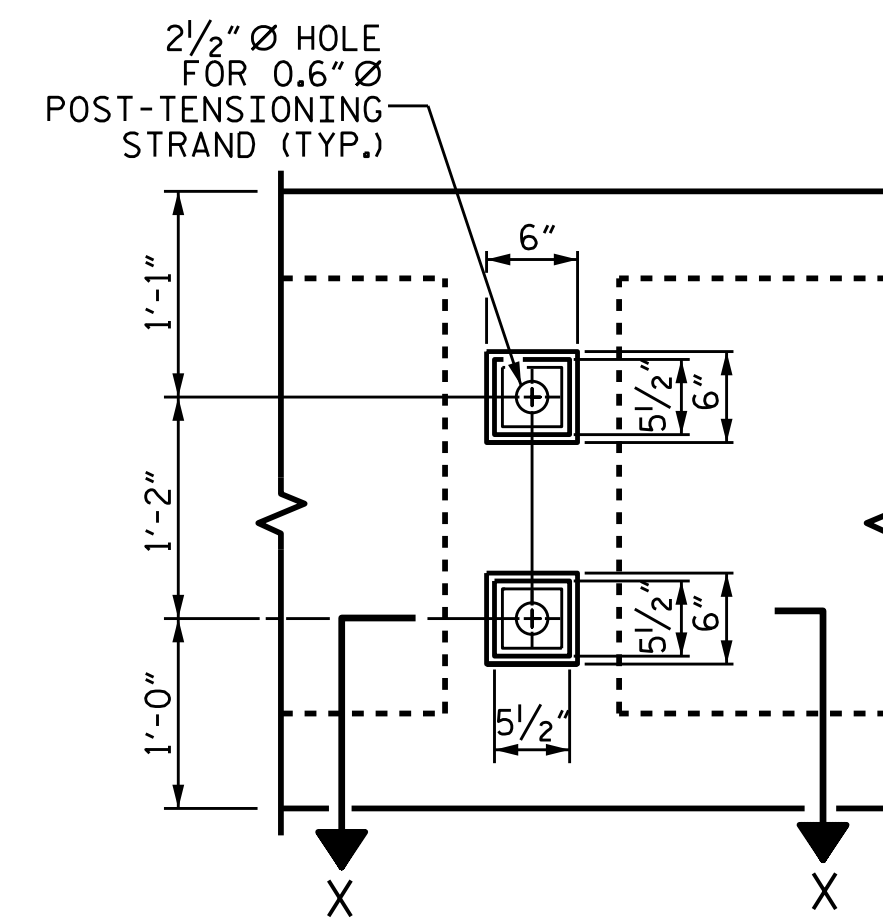
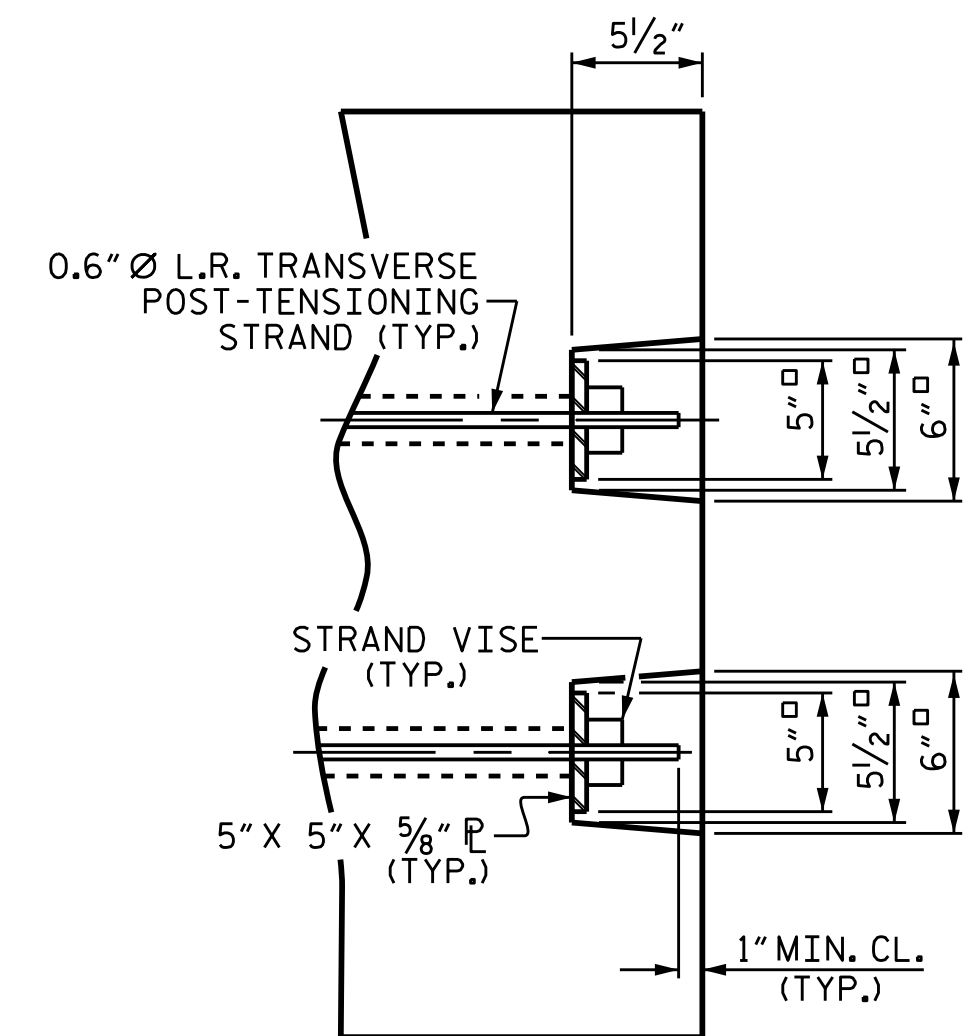


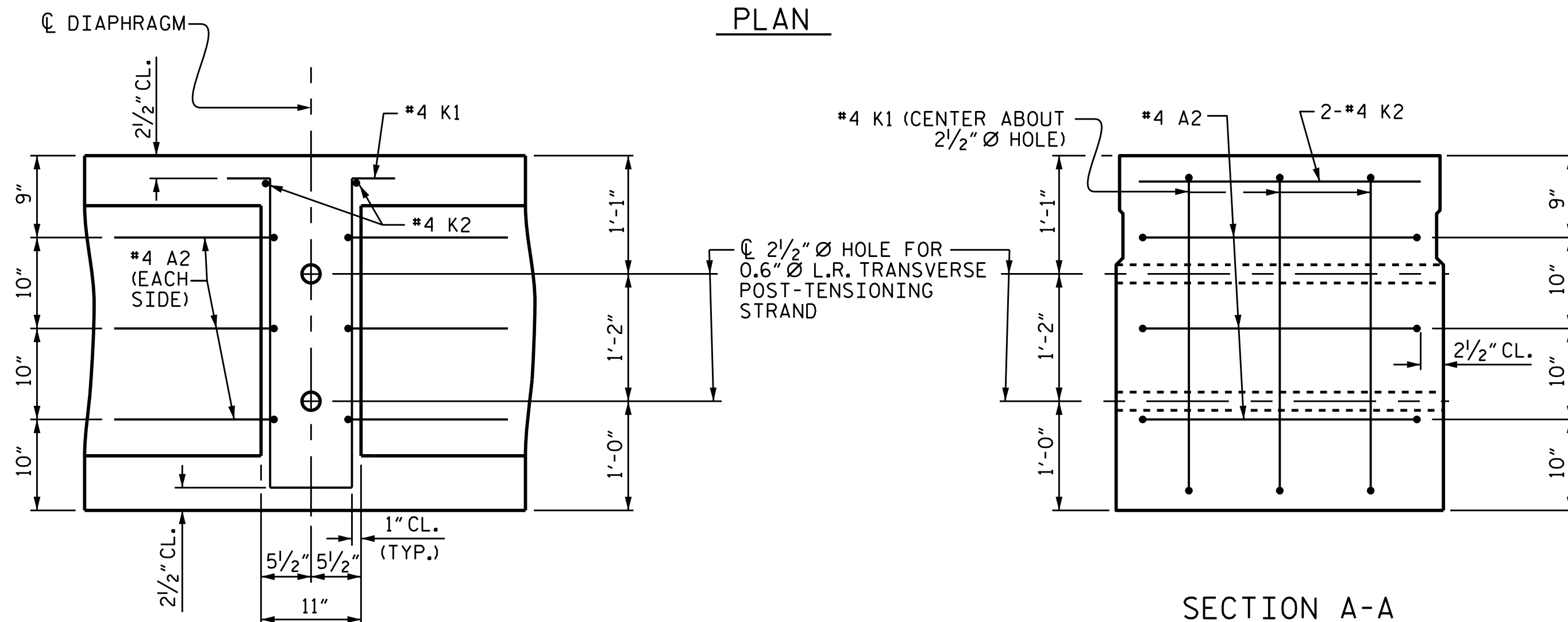
PLAN



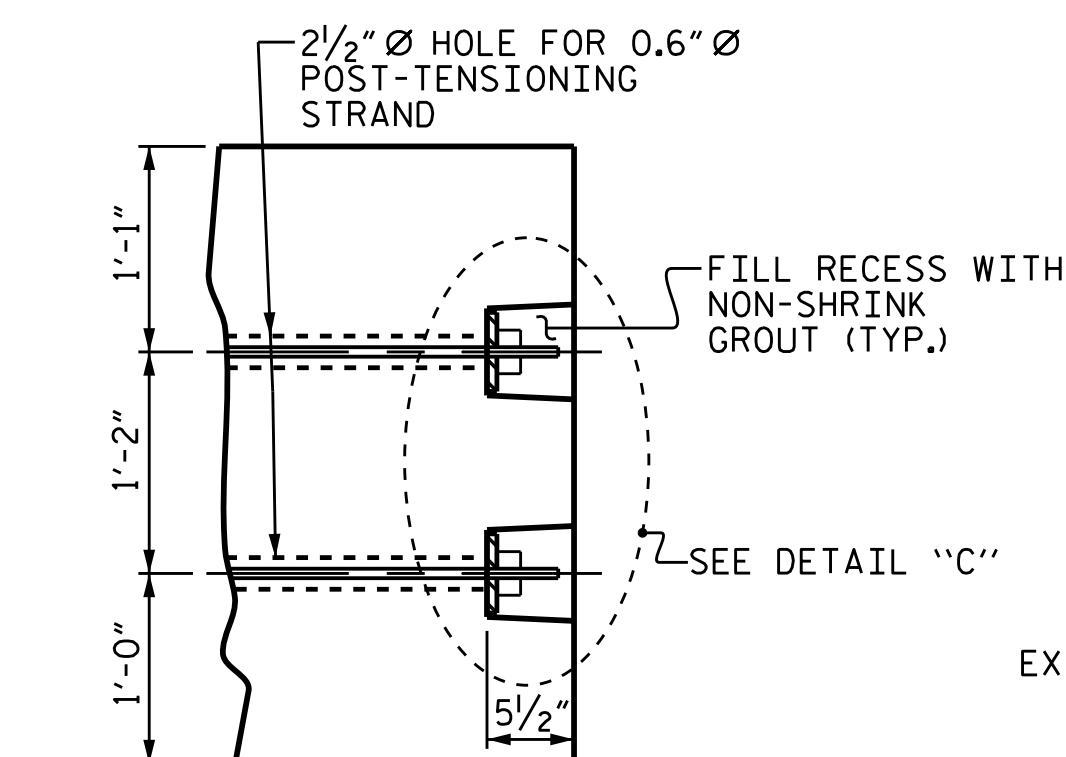
VIEW Y-Y  
SHOWING ELEVATION VIEW OF GROUTED RECESS



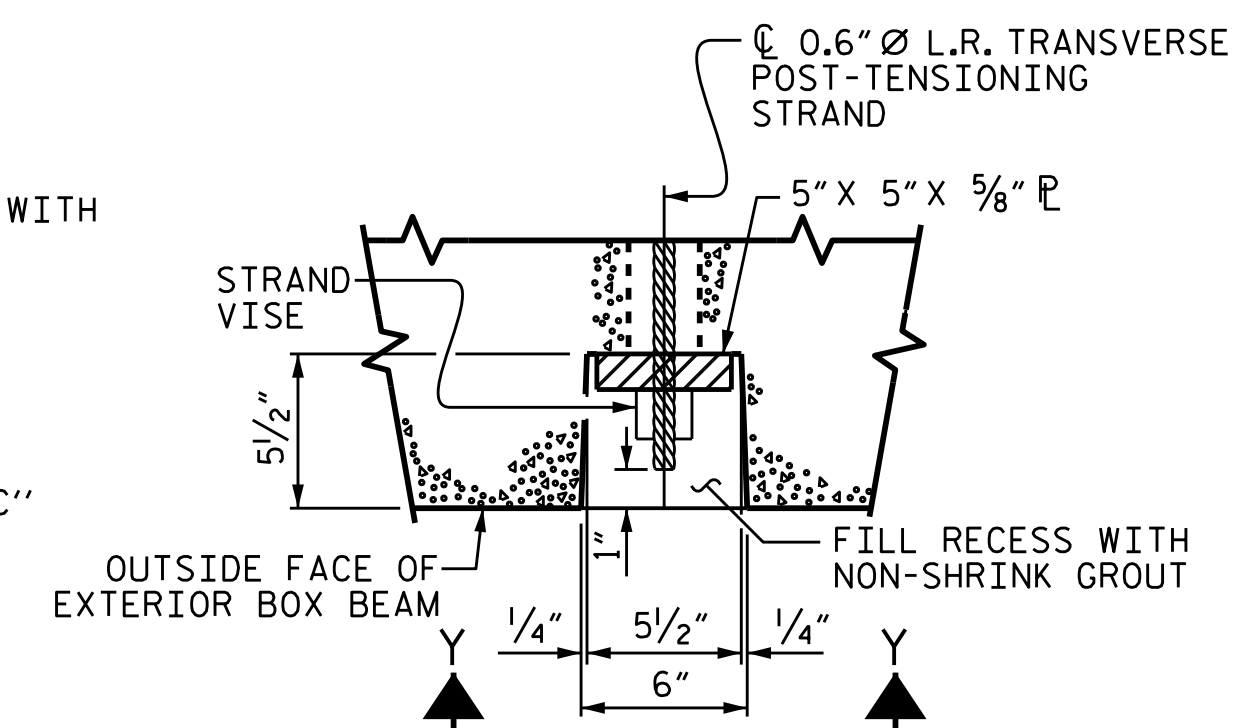
DETAIL "C"



SECTION A-A  
VOIDS NOT SHOWN



PART SECTION AT RECESS

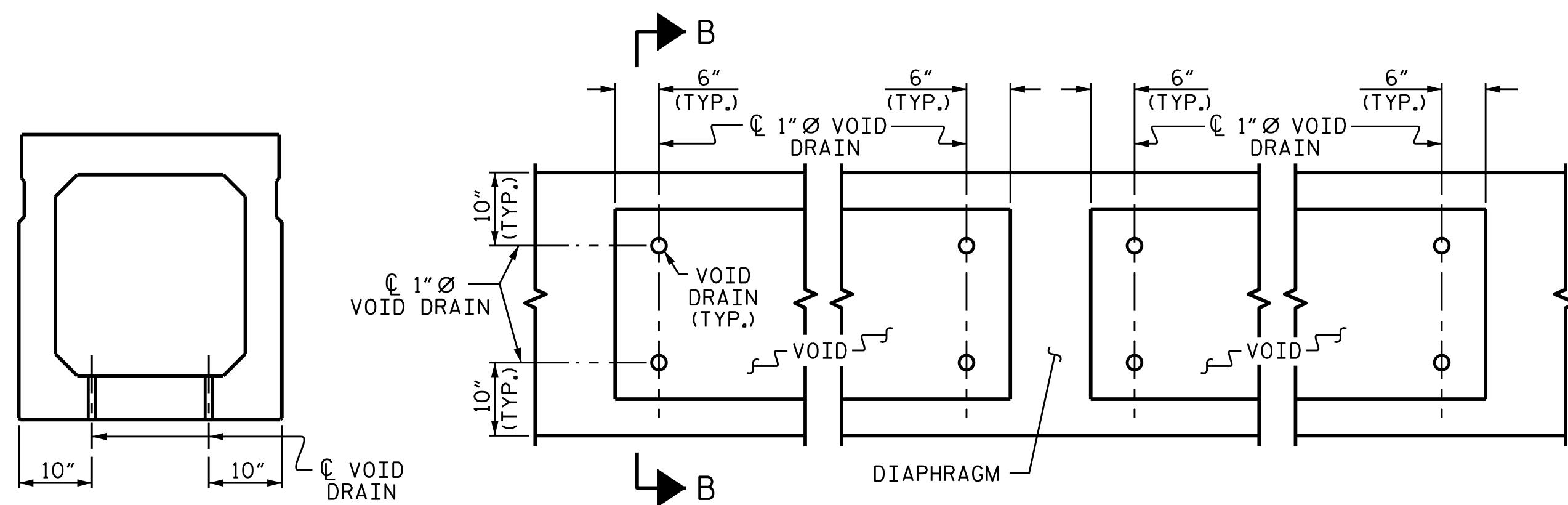


SECTION X-X  
SHOWING PLAN VIEW OF GROUTED RECESS

**DOUBLE DIAPHRAGM DETAILS**

\*4 "S" BARS NOT SHOWN. \*4 "S" BARS MAY BE SHIFTED SLIGHTLY TO CLEAR 2 1/2" Ø HOLE.

**GROUTED RECESS DETAIL AT  
END OF POST-TENSIONED STRANDS  
OF EXTERIOR BOX BEAM**



SECTION B-B

PART PLAN

**VOID DRAIN DETAILS**

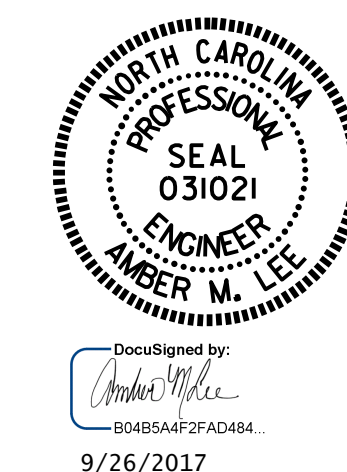
(DIMENSIONS SHOWN ARE TYPICAL FOR EACH VOID)

DEAD LOAD DEFLECTION AND CAMBER	
102'-9" BOX BEAM UNIT (NC)	3'-0" x 3'-3"
CAMBER (SLAB ALONE IN PLACE)	2" ↑
DEFLECTION DUE TO SUPERIMPOSED DEAD LOAD**	1/4" ↓
FINAL CAMBER	3/4" ↑

\*\* INCLUDES FUTURE WEARING SURFACE

PROJECT NO. B-4978  
WILKES COUNTY  
 STATION: 12+36.12 -L-

SHEET 3 OF 4



STATE OF NORTH CAROLINA  
 DEPARTMENT OF TRANSPORTATION  
 RALEIGH  
 3'-0" X 3'-3"  
 PRESTRESSED CONCRETE  
 BOX BEAM UNIT

DRAWN BY : B. A. DUKE DATE : 10-24-16  
 CHECKED BY : G. KOUICHEKI DATE : 11-17-16  
 DESIGN ENGINEER OF RECORD: D. SHACKLEFORD DATE : 12-2016

DOCUMENT NOT CONSIDERED  
 FINAL UNLESS ALL  
 SIGNATURES COMPLETED

REVISIONS						SHEET NO.	
NO.	BY:	DATE:	NO.	BY:	DATE:	S-8	
1			3			TOTAL SHEETS	
2			4			19	