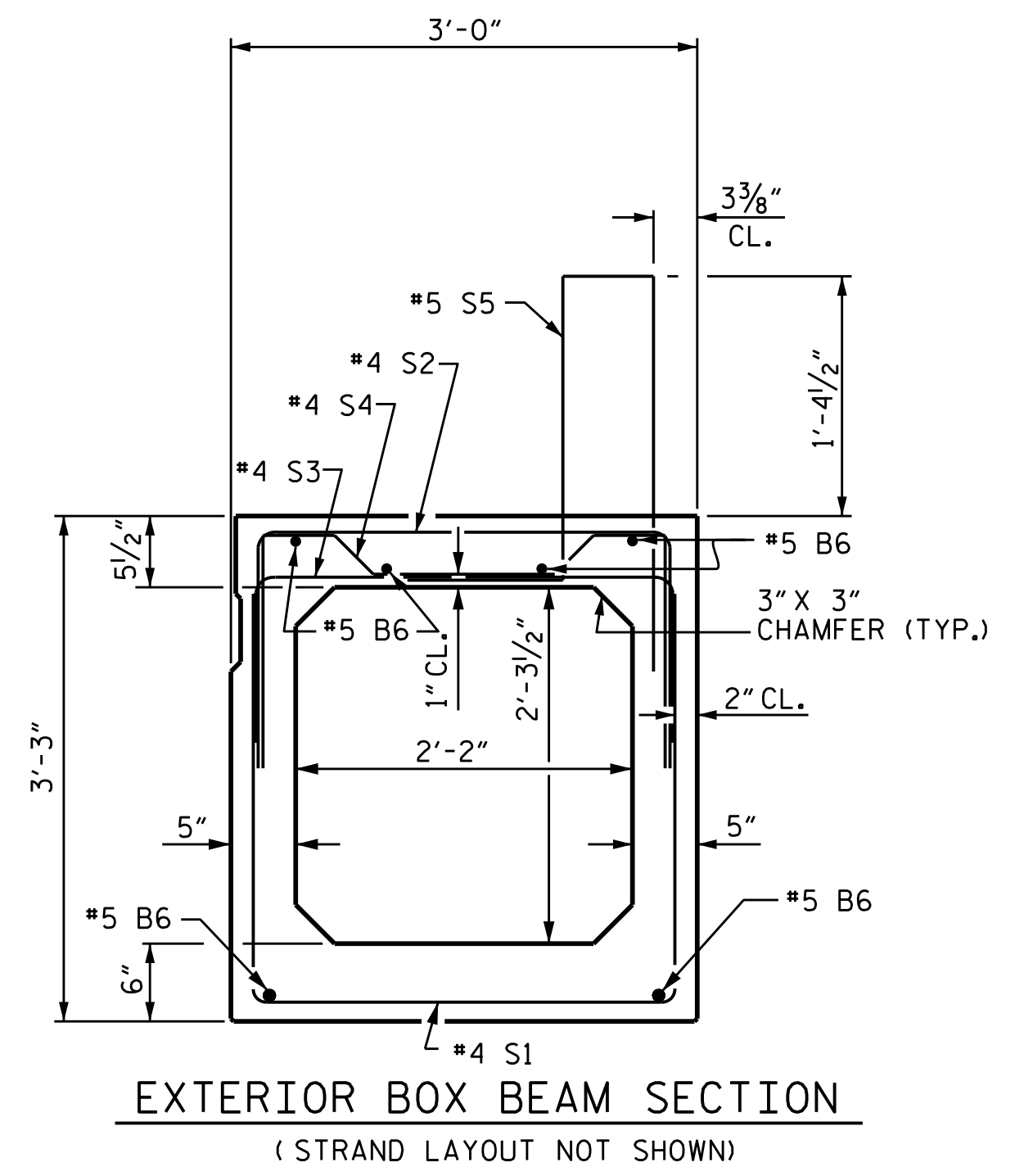
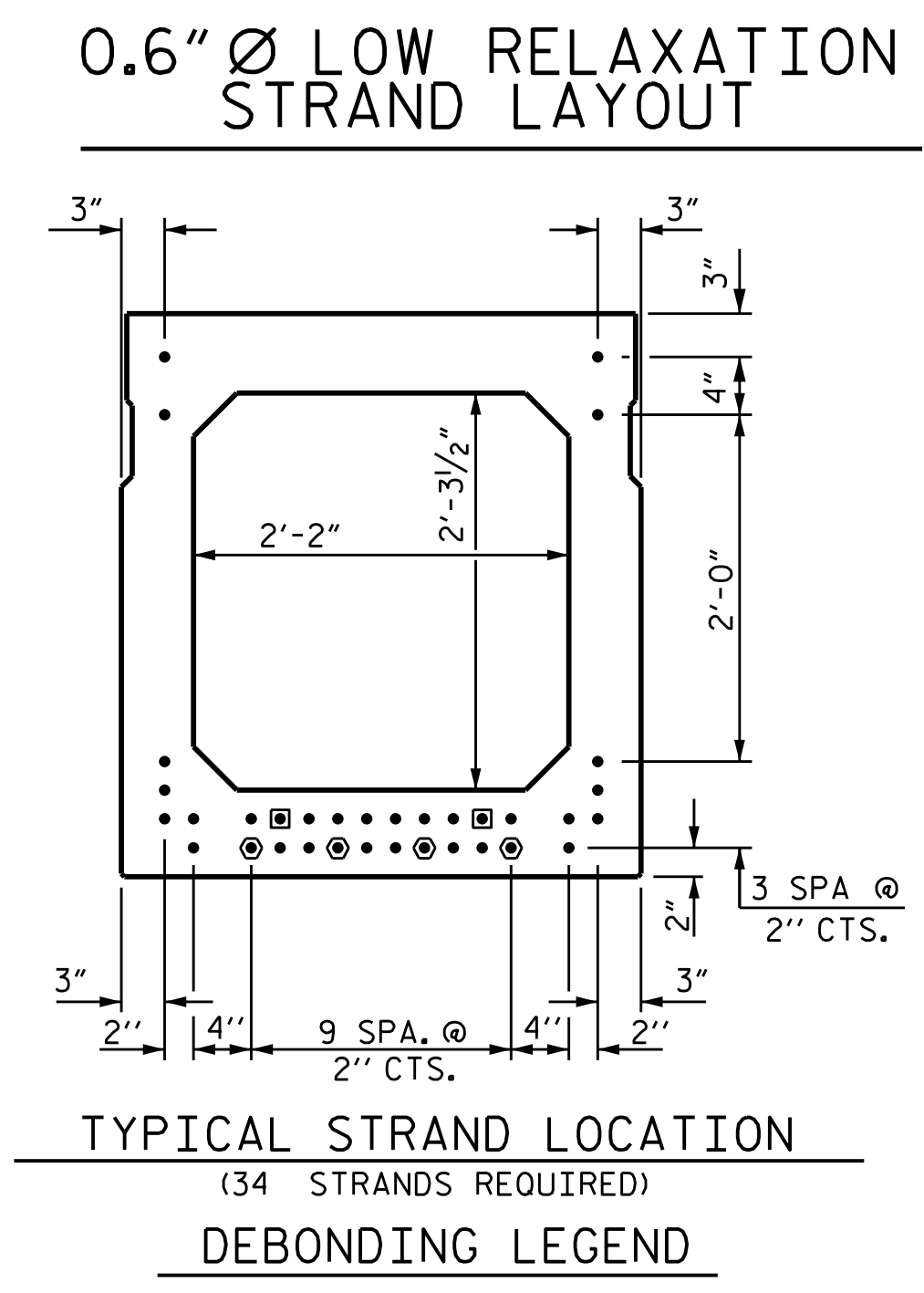


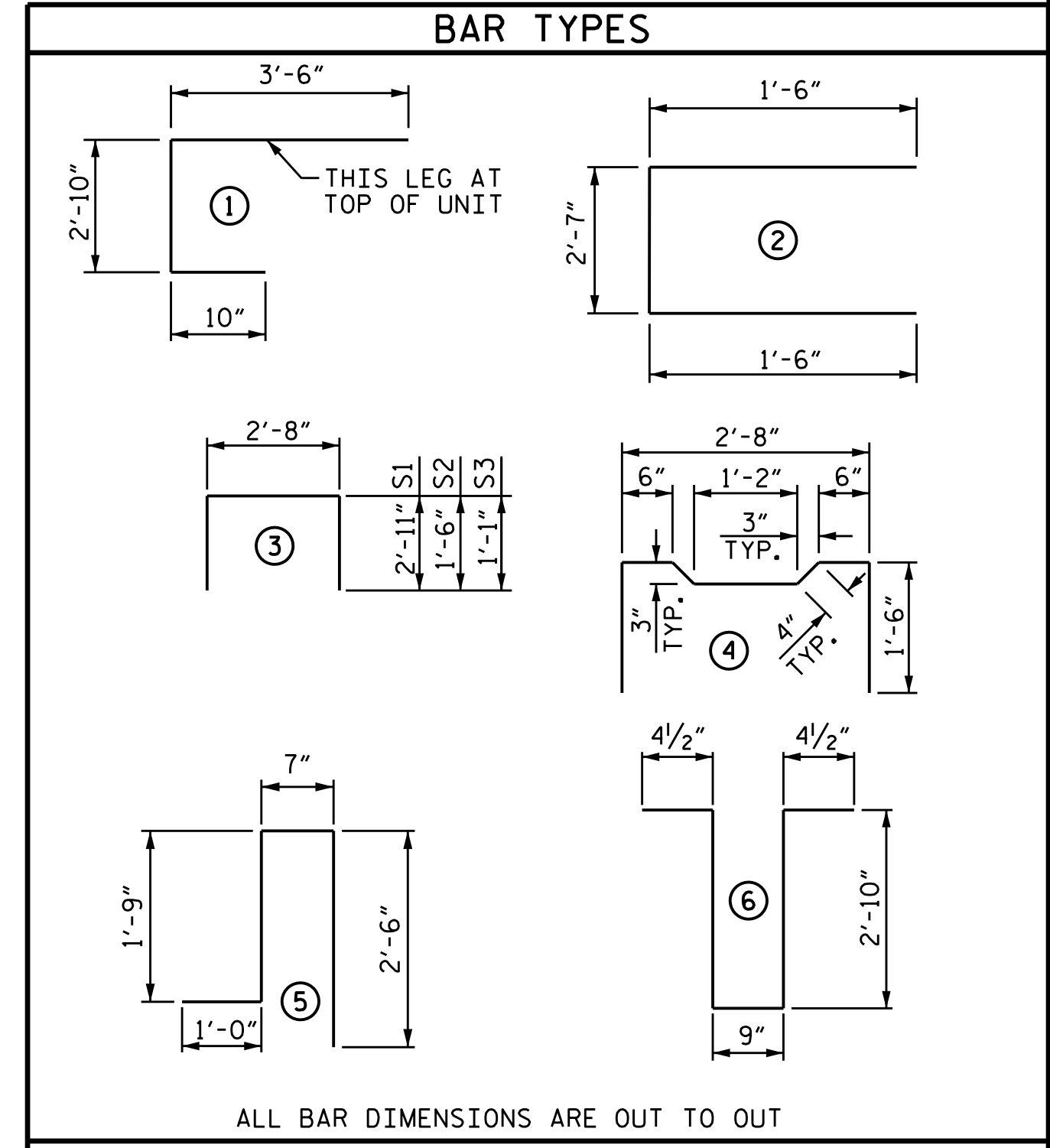
INTERIOR BOX BEAM SECTION
(STRAND LAYOUT NOT SHOWN)



EXTERIOR BOX BEAM SECTION
(STRAND LAYOUT NOT SHOWN)



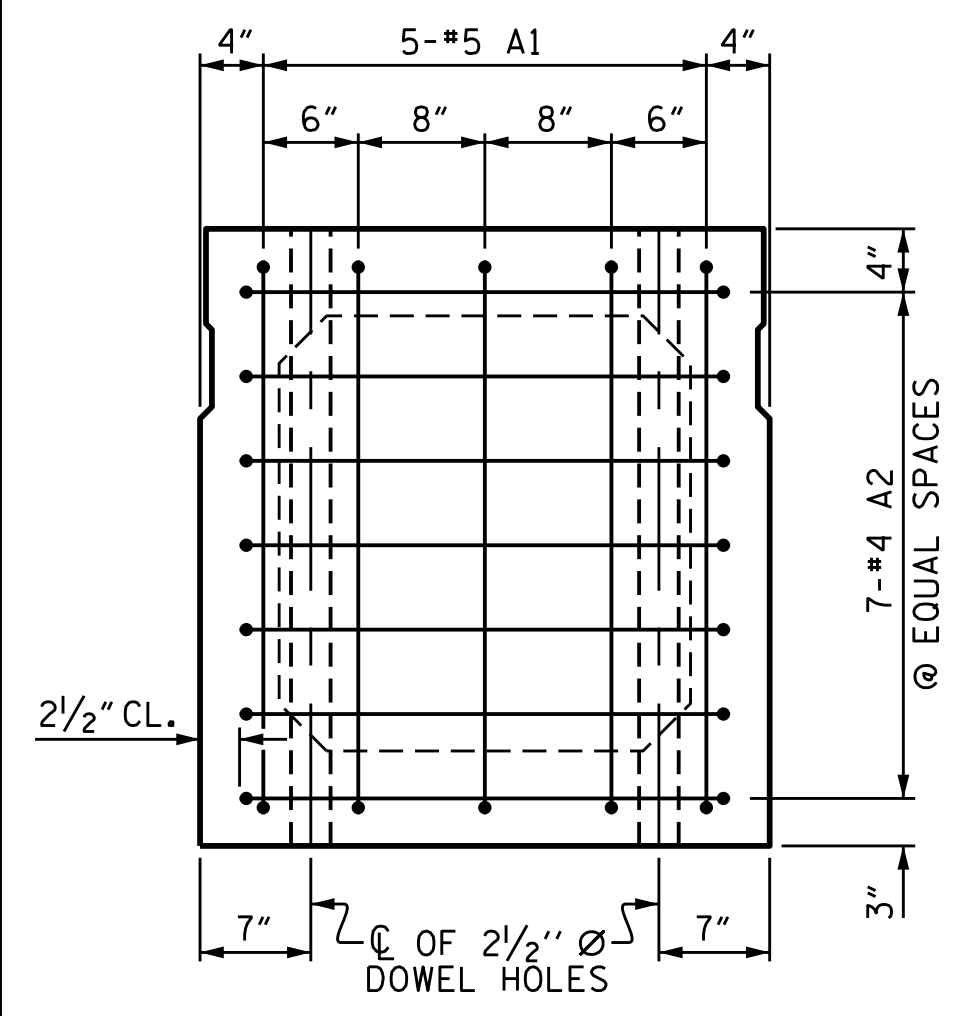
0.6" Ø LOW RELAXATION STRAND LAYOUT
TYPICAL STRAND LOCATION
(34 STRANDS REQUIRED)
DEBONDING LEGEND



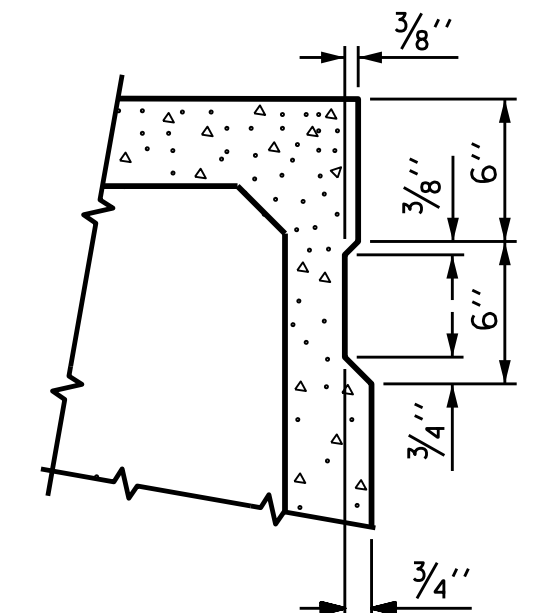
ALL BAR DIMENSIONS ARE OUT TO OUT

BILL OF MATERIAL FOR ONE BOX BEAM SECTION

BAR	NUMBER	SIZE	TYPE	EXTERIOR UNIT		INTERIOR UNIT	
				LENGTH	WEIGHT	LENGTH	WEIGHT
A1	10	#5	1	7'-2"	75	7'-2"	75
A2	44	#4	2	5'-7"	164	5'-7"	164
B6	12	#5	STR	52'-4"	655	52'-4"	655
K1	15	#4	6	7'-2"	72	7'-2"	72
K2	10	#4	STR	2'-7"	17	2'-7"	17
S1	83	#4	3	8'-6"	471	8'-6"	471
S2	83	#4	3	5'-8"	314	5'-8"	314
S3	145	#4	3	4'-10"	468	4'-10"	468
S4	62	#4	4	5'-10"	242	5'-10"	242
*S5	143	#5	5	5'-10"	870	--	--
REINFORCING STEEL				2478	LBS.	2478	LBS.
*EPOXY COATED REINF. STEEL				870	LBS.		
7500 P.S.I. CONCRETE				20.1	CU. YDS.	19.9	CU. YDS.
0.6" Ø L.R. STRANDS				No. 34		No. 34	



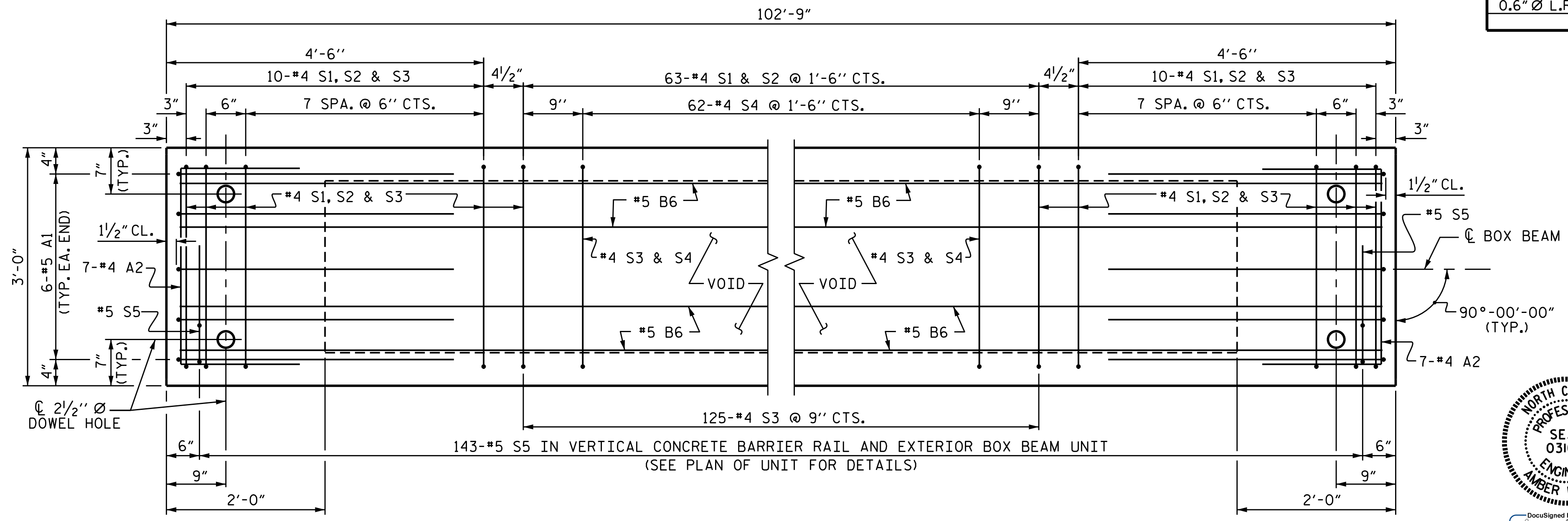
END ELEVATION
SHOWING PLACEMENT OF #5 & #4 "A" BARS AND LOCATION OF DOWEL HOLES. (INTERIOR BOX BEAM SECTION SHOWN-EXTERIOR SECTION SIMILAR EXCEPT SHEAR KEY LOCATION. STRAND LAYOUT NOT SHOWN.)



SHEAR KEY DETAIL
NOTE: OMIT SHEAR KEY ON OUTSIDE FACE OF EXTERIOR BOX BEAMS.

GRADE 270 STRANDS	
AREA (SQUARE INCHES)	0.217
ULTIMATE STRENGTH (LBS. PER STRAND)	58,600
APPLIED PRESTRESS (LBS. PER STRAND)	43,950

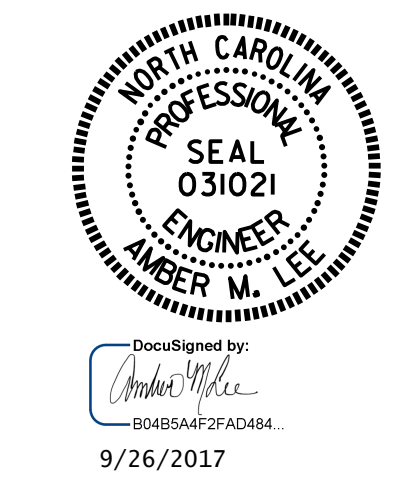
- FULLY BONDED STRANDS
 - ◐ STRANDS DEBONDED FOR 4'-0" FROM END OF GIRDER
 - ◑ STRANDS DEBONDED FOR 12'-0" FROM END OF GIRDER
- BOND SHALL BE BROKEN ON STRANDS AS SHOWN FOR THE SPECIFIED LENGTH FROM EACH END OF THE BOX BEAM. SEE STANDARD SPECIFICATIONS ARTICLE 1078-7.



PLAN OF BOX BEAM

EXTERIOR UNIT SHOWN, INTERIOR UNIT SIMILAR EXCEPT OMIT #5 S5 BARS.
FOR LOCATION OF DIAPHRAGMS, SEE "PLAN OF UNIT".
FOR THREADED INSERTS, SEE "THREADED INSERT DETAIL".
FOR REINFORCING STEEL IN DIAPHRAGMS, SEE "DOUBLE DIAPHRAGM DETAILS".

DRAWN BY : B. A. DUKE DATE : 10-26-16
CHECKED BY : G. KOUCHEKI DATE : 11-17-16
DESIGN ENGINEER OF RECORD : D. SHACKLEFORD DATE : 12-2016



PROJECT NO. B-4978
WILKES COUNTY
STATION: 12+36.12 -L-
SHEET 2 OF 4

REVISIONS						SHEET NO.
NO.	BY:	DATE:	NO.	BY:	DATE:	S-7
1			3			TOTAL SHEETS 19
2			4			