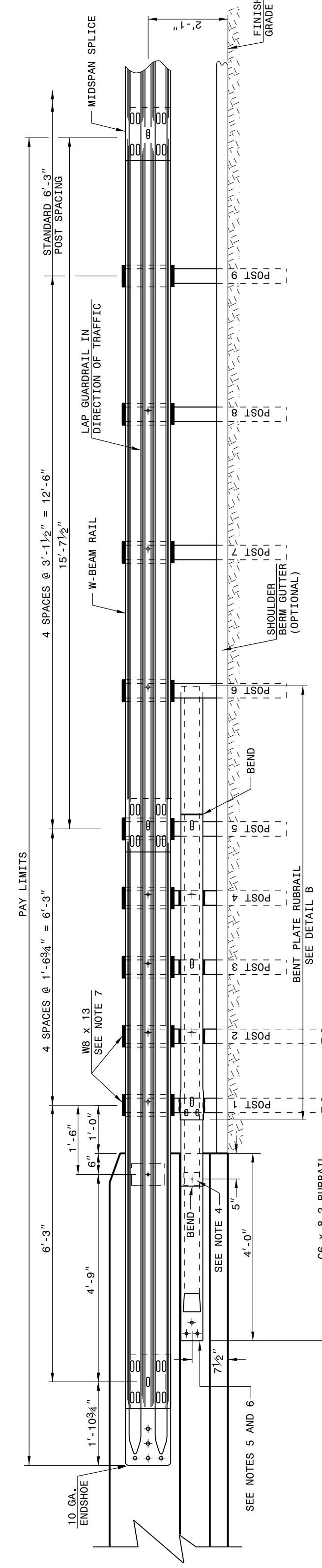


03-AUG-2017 15:53 S:\Contracts\Standard Drawings\Standard Drawings\Division 8\862d01 862d03 862d03\862d03.dgn Jhoverton AT\_CSD-292595

STATE OF  
NORTH CAROLINA  
DEPT. OF TRANSPORTATION  
DIVISION OF HIGHWAYS  
RALEIGH, N.C.



**ELEVATION**

- GENERAL NOTES:**
- POSTS 1 THROUGH 5 REQUIRE AN ADDITIONAL HOLE TO ATTACH LOWER BLOCKOUTS AND/OR RUBRAIL.
  - RUBRAIL BLOCKOUTS LOCATED ON POSTS 1 THROUGH 4 ARE OFFSET DRILLED AND SECURED WITH 5/8" BUTTOMHEAD BOLTS (SEE CHART FOR BOLT LENGTHS). SECURE BLOCKS ONLY TO POSTS 2 AND 4. SECURE RUBRAIL AND BLOCKOUTS TO POSTS 1 AND 3. RUBRAIL IS SECURED TO POST 5 WITH 5/8" BUTTOMHEAD BOLTS. RUBRAIL IS FLARED TO BACK OF POST 6, AND NOT SECURED.
  - 5/8" x 1 1/4" LONG BUTTOMHEAD BOLT AND RECTANGULAR PLATE WASHER. BLOCKOUT PLATE WASHER, 9" LONG. ATTACH TUBE TO GUARDRAIL ONLY WITH 3/8" x 1 1/4" LONG BUTTOMHEAD BOLT AND RECTANGULAR PLATE WASHER.
  - SEE DETAIL D FOR SLOPED RUBRAIL BLOCKOUT. BLOCKOUT IS ATTACHED TO RAIL ELEMENT ONLY. USE 3/8" x 3" LAG BOLT WITH FLAT WASHER. TOE OF THE BARRIER OR BRIDGE RAIL.
  - ANCHOR THE RUBRAIL TO THE W-BEAM END USING A 4 BOLT HOLD DOWN PLATE (SEE STD. DWG. 862.041).
  - AT EXISTING BRIDGE RAIL AND NEW OR EXISTING BARRIERS, ANCHOR RUBRAIL USING THREE 5/8" x 6" CHEMICALLY ANCHORED BOLTS WITH WASHERS. MAXIMUM PROJECTION FOR BOLTS IS 1/2".
  - AT EXISTING BRIDGE RAIL AND NEW OR EXISTING BARRIERS, ANCHOR THE W-BEAM END SHOE USING A 4 BOLT HOLD DOWN PLATE (SEE STD. DWG. 862.041).
  - A 4 BOLT INSERT ASSEMBLY IS ALLOWED ON PRECAST REINFORCED CONCRETE BARRIER (SEE STD. DWG. 857.01).
  - INSTALL THE W-BEAM END SHOE BEHIND THE NESTED W-BEAM ELEMENTS.
  - 1" DIA. HOLES (TYP.) FOR ANCHOR BOLTS. DETAILLED ON THE STRUCTURE PLANS.
  - POSTS 1 AND 2 ARE W8 X 13, 7'-6" LONG. ALL OTHER POSTS IN THE ANCHOR UNIT ARE W8 X 8.5.

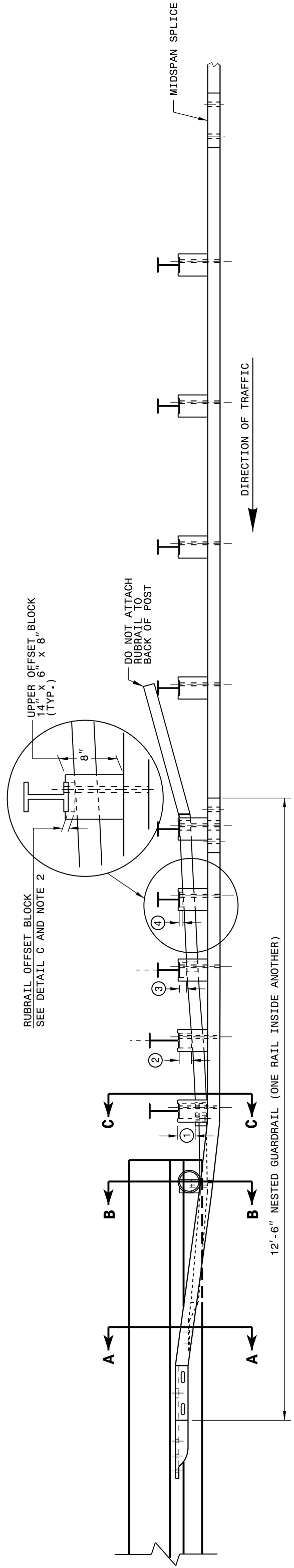
ROADWAY DETAIL DRAWING FOR  
**GUARDRAIL ANCHOR UNIT**  
GUARDRAIL ANCHOR UNIT TYPE B-77  
FOR F-SHAPE BARRIER

SHEET 4 OF 7  
**862D03**

STATE OF  
NORTH CAROLINA  
DEPT. OF TRANSPORTATION  
DIVISION OF HIGHWAYS  
RALEIGH, N.C.

ROADWAY DETAIL DRAWING FOR  
**STRUCTURE ANCHOR UNIT**  
FOR F-SHAPE BARRIER

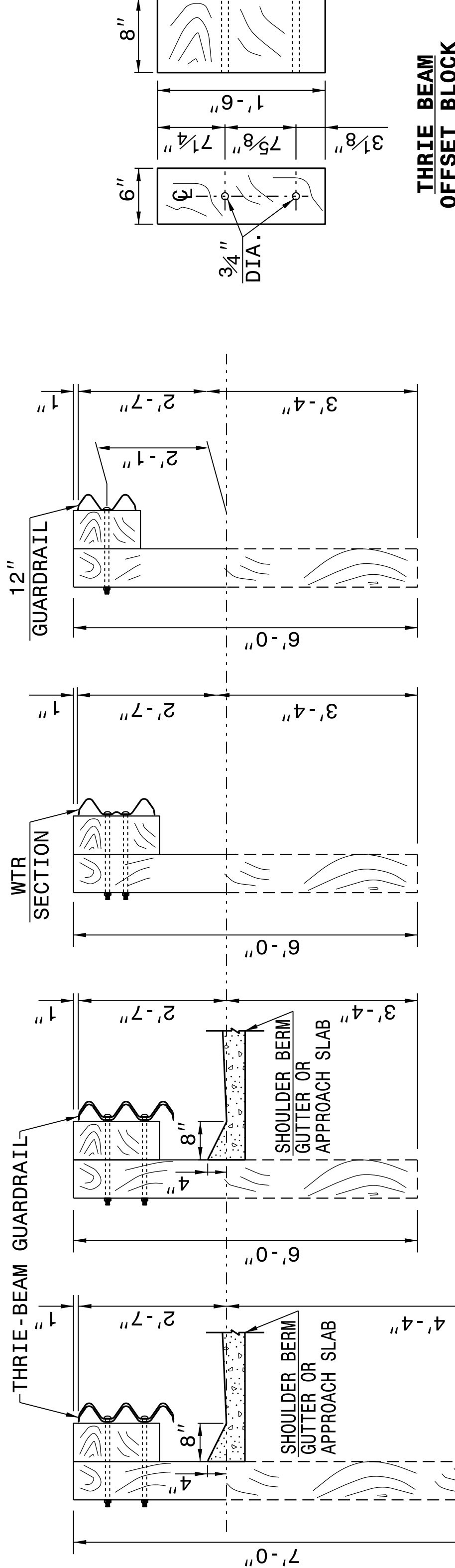
SHEET 4 OF 7  
**862D03**



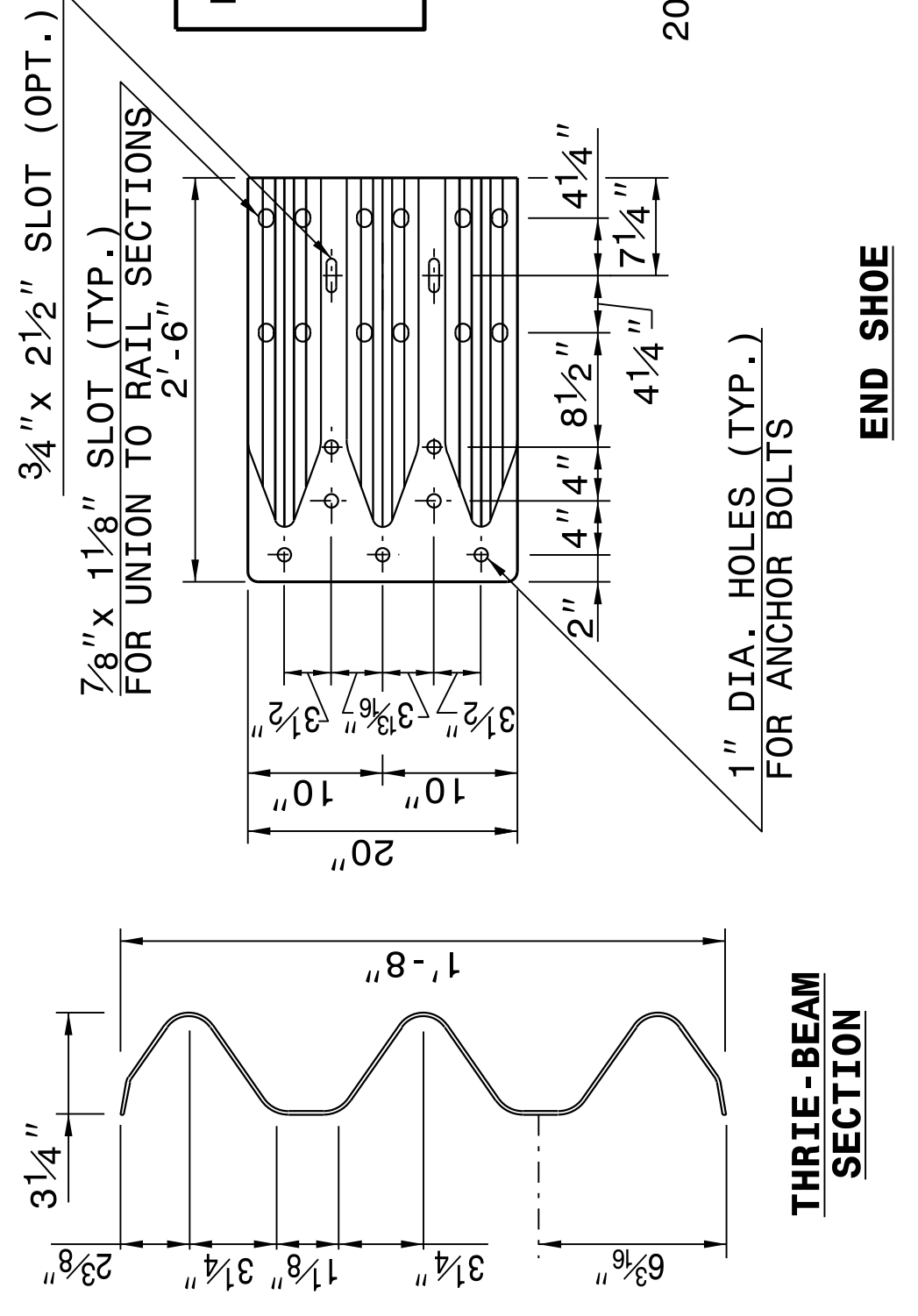
**PLAN**

**GUARDRAIL ANCHOR UNIT TYPE B-77**

STATE OF  
NORTH CAROLINA  
DEPT. OF TRANSPORTATION  
DIVISION OF HIGHWAYS  
RALEIGH, N.C.



**SECTION OF THRIE BEAM POSTS 1 THRU 6**    **SECTION OF THRIE BEAM POST 7**    **SECTION OF WTR BEAM POST 8**    **SECTION OF 'W' BEAM POST 9**



NOTE: THE MID POST AND OFFSET BLOCK OF SPECIAL BOLT HOLE DRILLING IN THE THRIE BEAM OFFSET BLOCK AND LINE POST.

**THRIE-BEAM SECTION**

**END SHOE**

**WTR SECTION ELEVATION VIEW**

**THRIE BEAM LINE POST**

**THRIE BEAM OFFSET BLOCK**

STATE OF  
NORTH CAROLINA  
DEPT. OF TRANSPORTATION  
DIVISION OF HIGHWAYS  
RALEIGH, N.C.

ROADWAY DETAIL DRAWING FOR  
**STRUCTURE ANCHOR UNITS**  
GUARDRAIL ANCHOR UNIT, TYPE III

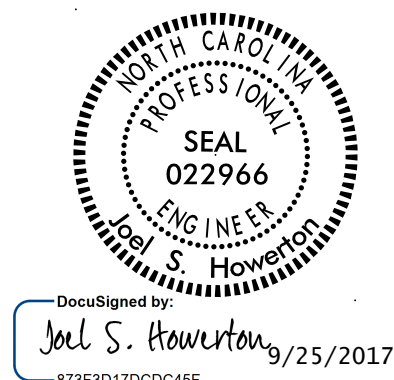
SHEET 3 OF 7  
**862D03**

ROADWAY DETAIL DRAWING FOR  
**STRUCTURE ANCHOR UNITS**  
GUARDRAIL ANCHOR UNIT, TYPE III

**CONTRACT STANDARDS AND DEVELOPMENT UNIT**  
Office 919-707-6950 FAX 919-250-4119

**SEE TITLE BLOCK**

ORIGINAL BY: J HOWERTON    DATE: 06-22-12  
MODIFIED BY:    DATE:     
CHECKED BY:    DATE:     
FILE SPEC.:    DATE:   



DOCUMENT NOT CONSIDERED FINAL UNLESS ALL SIGNATURES COMPLETED