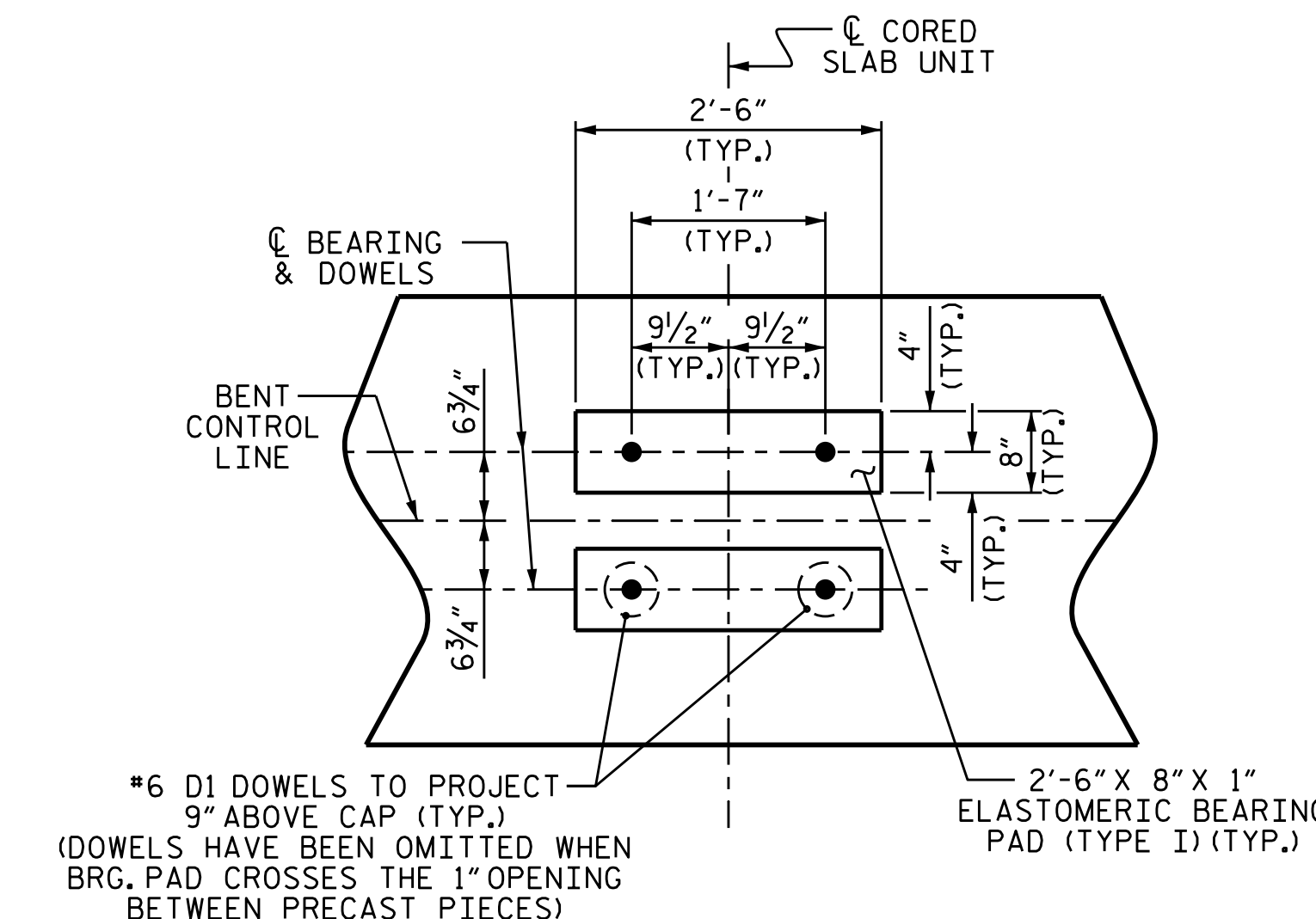
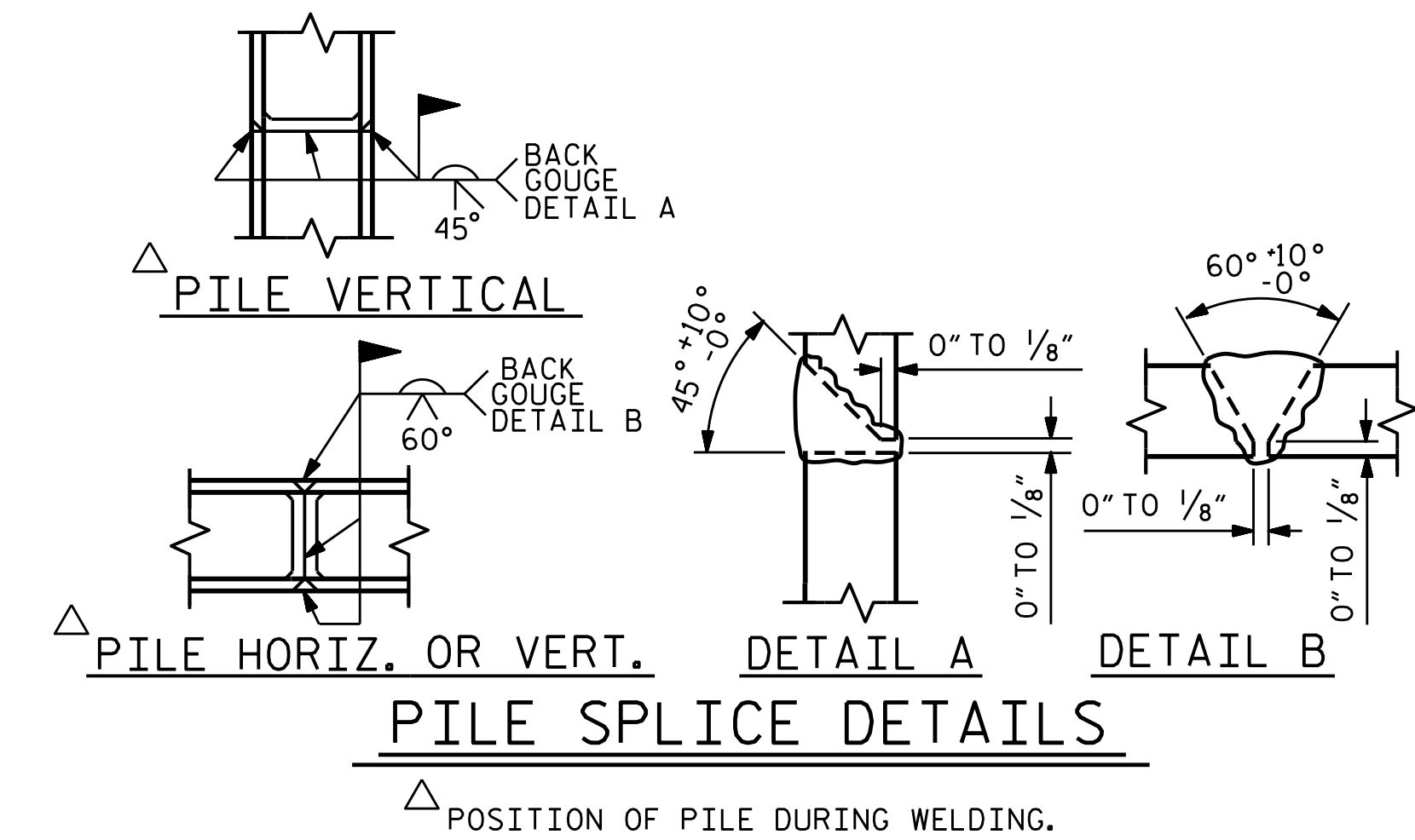


**ELEVATION**  
FOR 2" Ø GROUT PIPE AND PILE BLOCKOUT DETAILS, SEE SHEET 4 OF 4

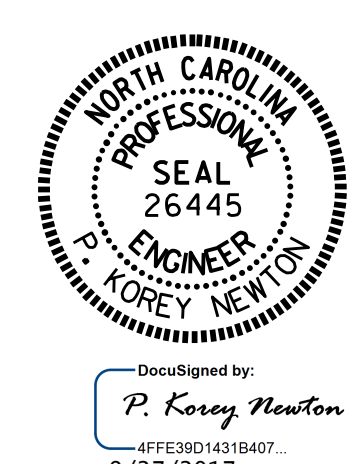
**NOTES**

FOR PRECAST CAP DETAILS AND BILL OF MATERIAL, SEE "PIECE B-01" & "PIECE B-02" SHEETS.  
 GALVANIZE THE TOP OF EACH INTERIOR BENT PILE A MINIMUM OF 25 FEET. GALVANIZE IN ACCORDANCE WITH SECTION 1076 OF THE STANDARD SPECIFICATIONS.  
 FOR GROUT FOR STRUCTURES, SEE SPECIAL PROVISIONS.  
 FOR OPTIONAL 3'-0" x 2'-6" PRECAST PRESTRESSED CONCRETE BENT CAPS, SEE SPECIAL PROVISIONS.



**DETAIL "A"**  
(DIMENSIONS ARE TYPICAL EACH BEARING)

PROJECT NO. B-5304  
PENDER COUNTY  
 STATION: 12+27.00 -L-  
 SHEET 1 OF 5



STATE OF NORTH CAROLINA  
 DEPARTMENT OF TRANSPORTATION  
 RALEIGH

**SUBSTRUCTURE**  
**BENT No. 1**  
 (OPTIONAL PRESTRESSED  
 CONCRETE BENT CAP)

ASSEMBLED BY : P. K. NEWTON	DATE : 9/21/17
CHECKED BY : O. T. NGUYEN	DATE : 9/22/17
DRAWN BY : MAA 3/12	
CHECKED BY : SHS 6/12	

REVISIONS						SHEET NO.	
NO.	BY:	DATE:	NO.	BY:	DATE:	S-23A	
1			3			TOTAL SHEETS	25
2			4				

DOCUMENT NOT CONSIDERED FINAL UNLESS ALL SIGNATURES COMPLETED