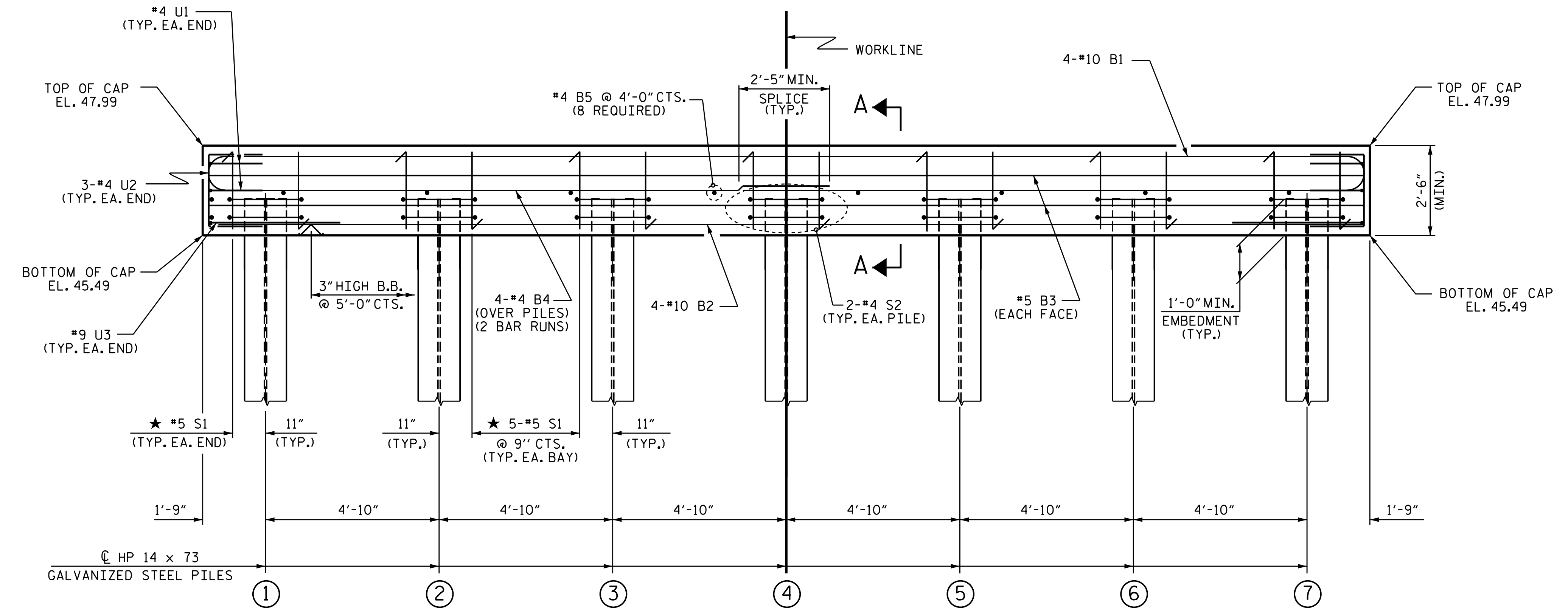
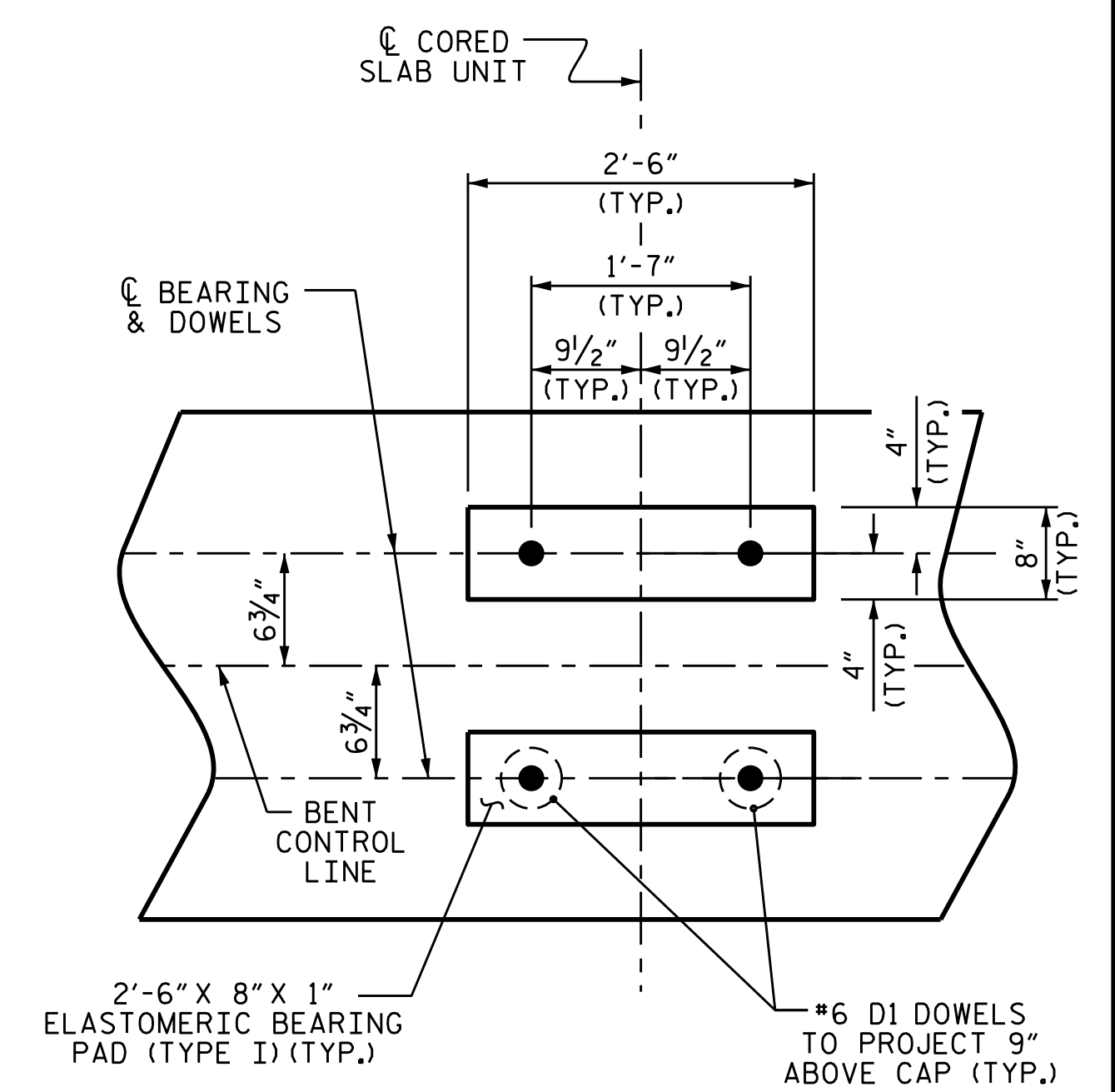
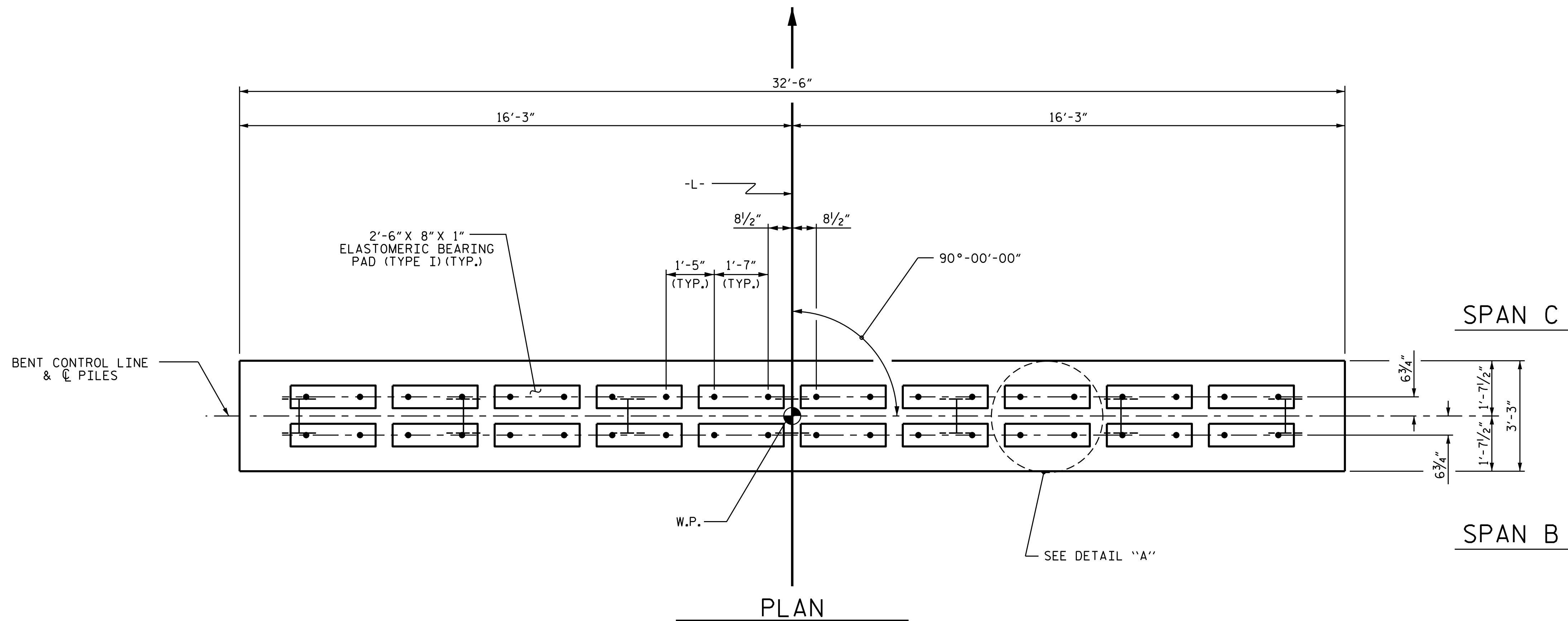


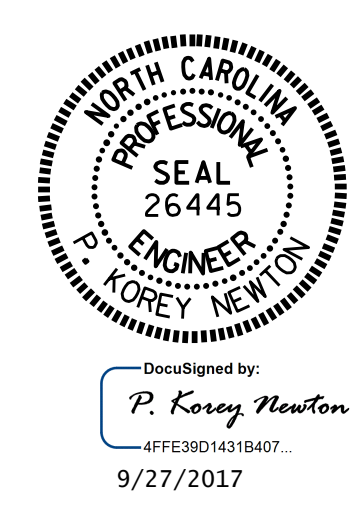
**NOTES**

- STIRRUPS IN CAP MAY BE SHIFTED AS NECESSARY TO CLEAR DOWELS.
- ★ INVERT ALTERNATE STIRRUPS.
- GALVANIZE THE TOP OF EACH INTERIOR BENT PILE A MINIMUM OF 35 FEET. GALVANIZE IN ACCORDANCE WITH SECTION 1076 OF THE STANDARD SPECIFICATIONS.



PROJECT NO. B-5304  
PENDER COUNTY  
 STATION: 12+27.00 -L-

SHEET 2 OF 3



STATE OF NORTH CAROLINA  
 DEPARTMENT OF TRANSPORTATION  
 RALEIGH

SUBSTRUCTURE  
 BENT No. 2

ASSEMBLED BY : G. KOUCHEKI	DATE : 9/16
CHECKED BY : J. D. HAWK	DATE : 8/10/17
DRAWN BY : DGE 05/10	
CHECKED BY : MKT 05/10	
REV. 11/14	MAA/TMG

REVISIONS						SHEET NO.
NO.	BY:	DATE:	NO.	BY:	DATE:	TOTAL SHEETS
1			3			S-22
2			4			25

DOCUMENT NOT CONSIDERED FINAL UNLESS ALL SIGNATURES COMPLETED