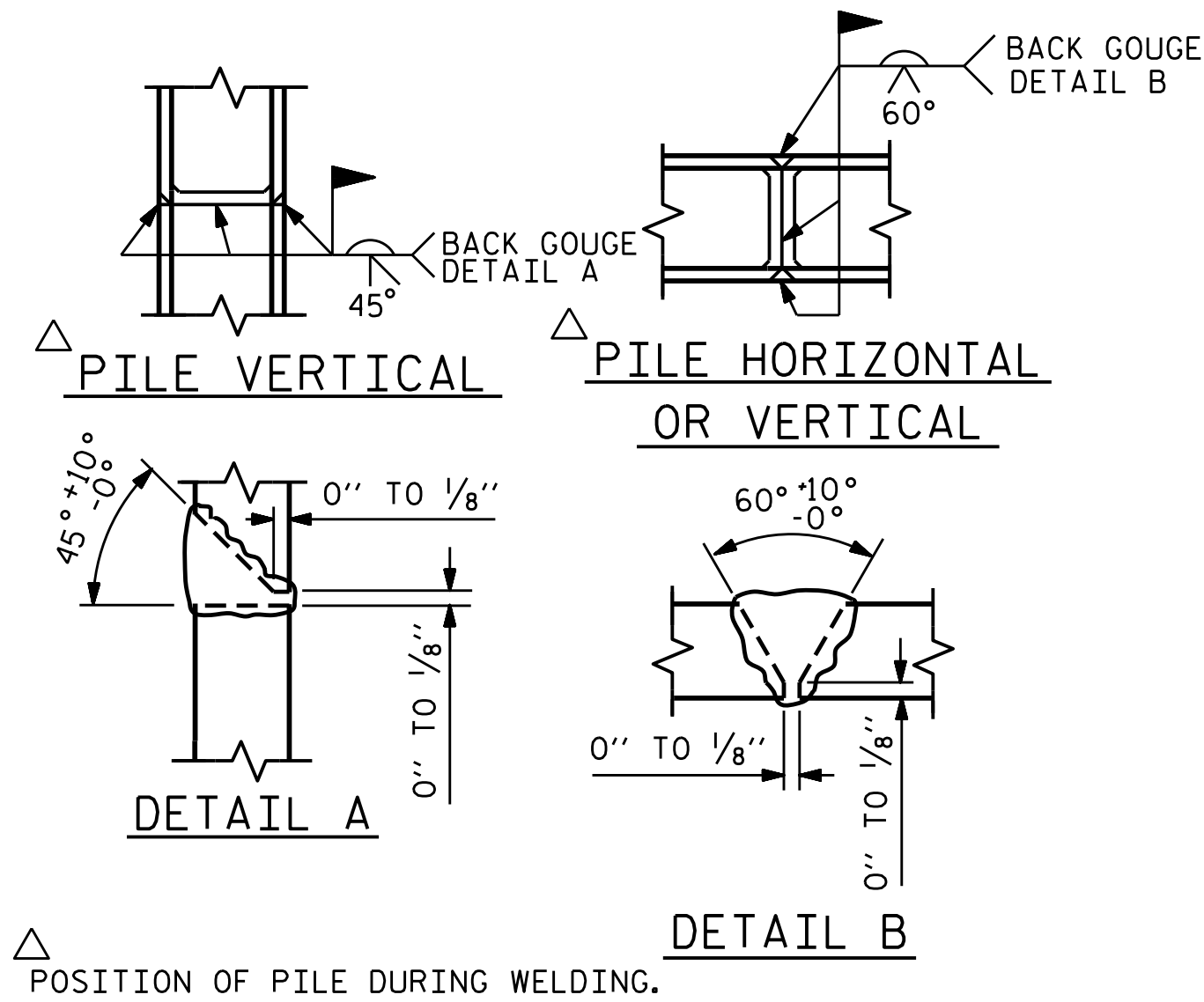


BAGGED STONE AND PIPE SHALL BE PLACED IMMEDIATELY AFTER COMPLETION OF END BENT EXCAVATION. PIPE MAY BE EITHER CONCRETE, CORRUGATED STEEL, CORRUGATED ALUMINUM ALLOY, OR CORRUGATED PLASTIC. PERFORATED PIPE WILL NOT BE ALLOWED.

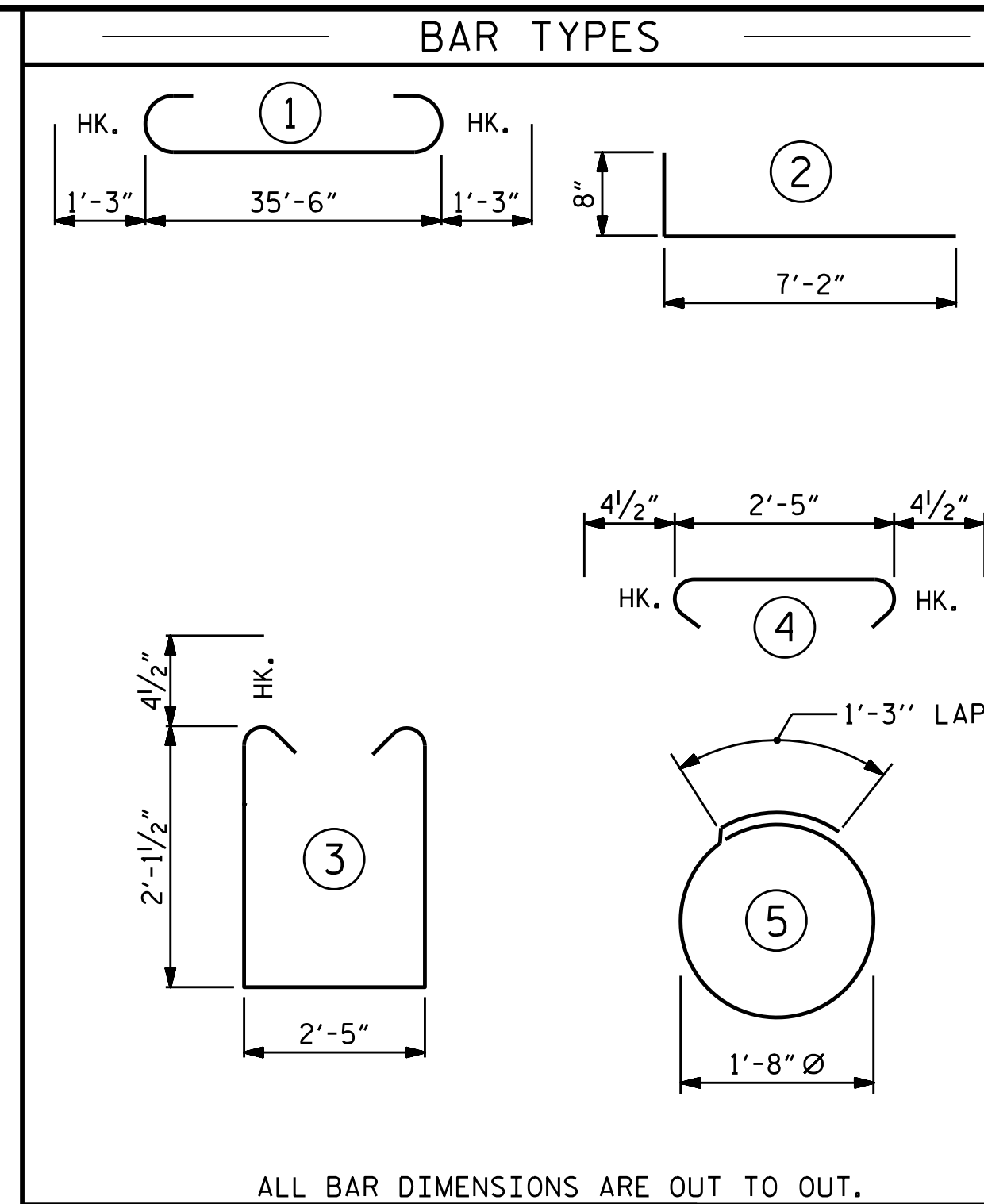
BAGGED STONE SHALL REMAIN IN PLACE UNTIL THE ENGINEER DIRECTS THAT IT BE REMOVED. THE CONTRACTOR SHALL REMOVE AND DISPOSE OF SILT ACCUMULATIONS AT BAGGED STONE WHEN SO DIRECTED BY THE ENGINEER. BAGS SHALL BE REMOVED AND REPLACED WHENEVER THE ENGINEER DETERMINES THAT THEY HAVE DETERIORATED AND LOST THEIR EFFECTIVENESS.

NO SEPARATE PAYMENT WILL BE MADE FOR THIS WORK AND THE ENTIRE COST OF THIS WORK SHALL BE INCLUDED IN THE UNIT CONTRACT PRICE BID FOR THE SEVERAL PAY ITEMS.

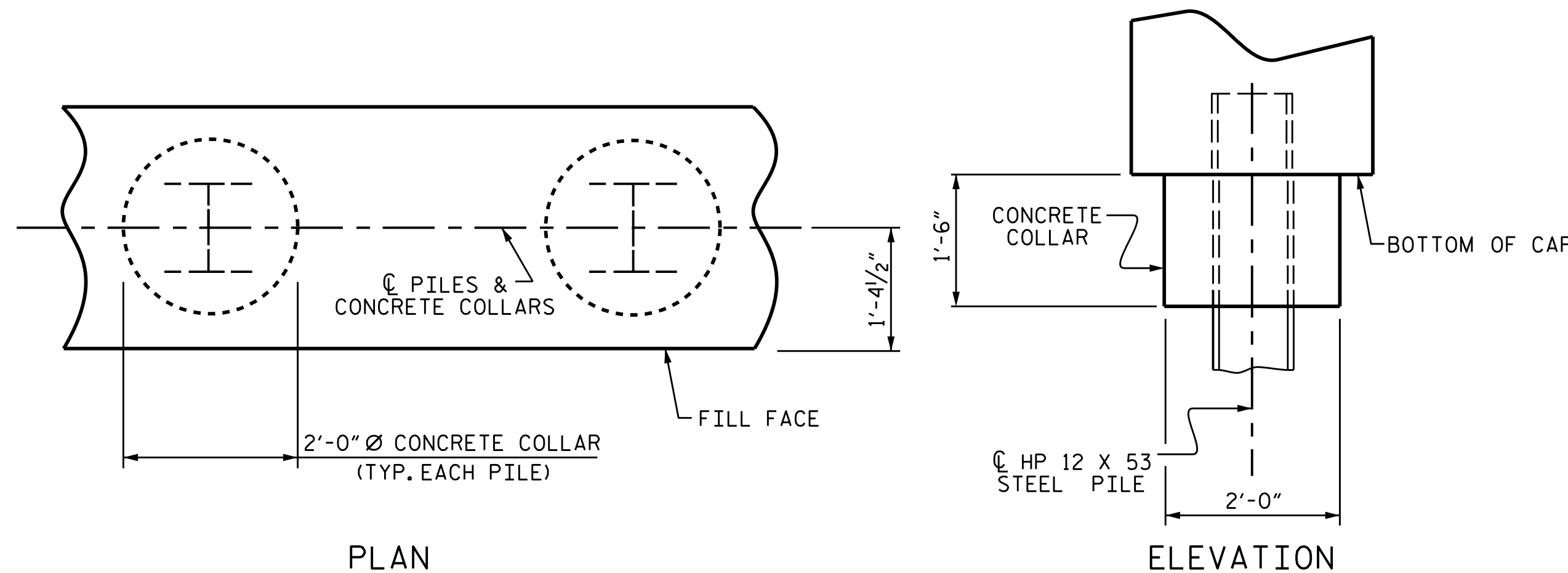
TEMPORARY DRAINAGE AT END BENT



PILE SPLICE DETAILS

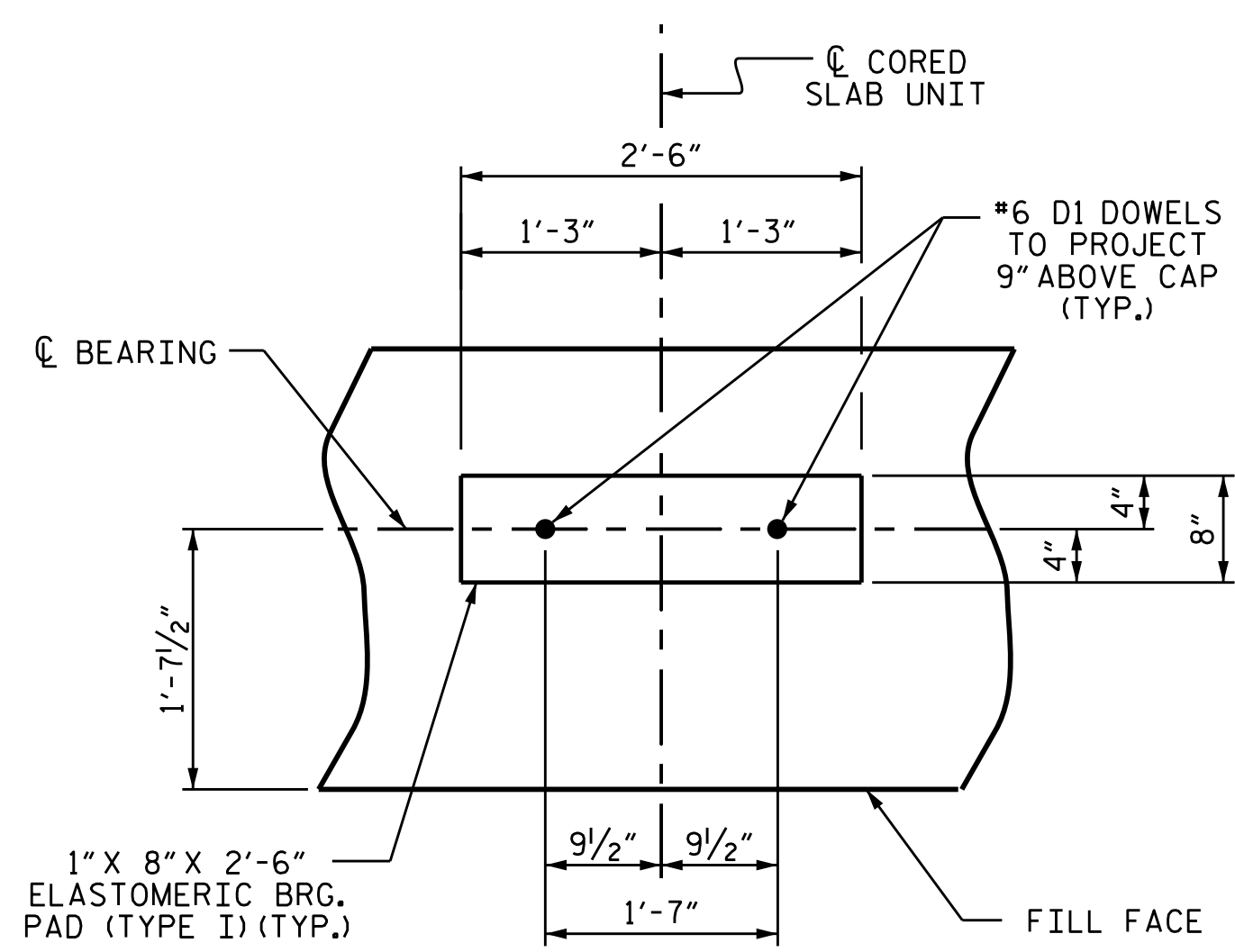


BILL OF MATERIAL FOR ONE END BENT					
BAR NO.	SIZE	TYPE	LENGTH	WEIGHT	
B1	#8		38'-0"	1034	
B2	#4	STR	19'-1"	204	
B3	#4	STR	2'-5"	15	
D1	#6	STR	1'-6"	45	
H1	#4		7'-10"	126	
K1	#4	STR	2'-11"	23	
S1	#4		7'-5"	228	
S2	#4		3'-2"	97	
S3	#4		6'-6"	43	
V1	#4	STR	4'-8"	150	
REINFORCING STEEL (FOR ONE END BENT)				1965 LBS.	
CLASS A CONCRETE BREAKDOWN (FOR ONE END BENT)					
POUR #1 CAP, LOWER PART OF WINGS & COLLARS				11.2 C.Y.	
POUR #2 UPPER PART OF WINGS				1.8 C.Y.	
TOTAL CLASS A CONCRETE				13.0 C.Y.	

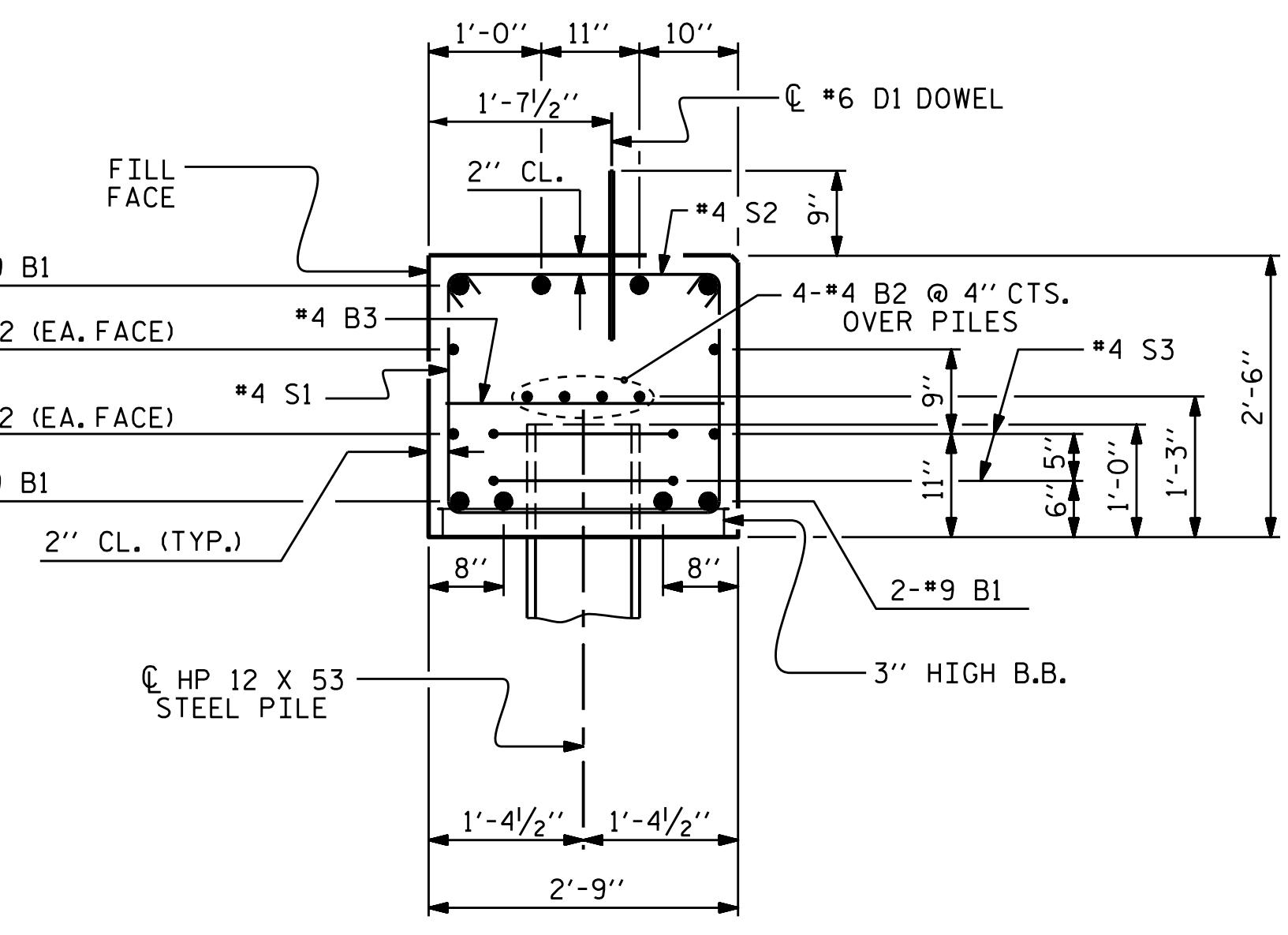


CORROSION PROTECTION FOR STEEL PILES DETAIL

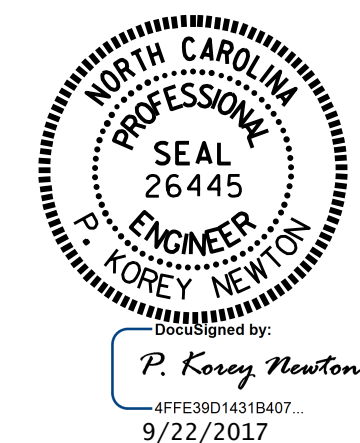
(END BENT No.1 SHOWN, END BENT No.2 SIMILAR BY ROTATION)



(END BENT No.1 SHOWN, END BENT No.2 SIMILAR BY ROTATION)



(CONCRETE COLLAR NOT SHOWN FOR CLARITY. SEE "CORROSION PROTECTION FOR STEEL PILES DETAIL.")



PROJECT NO. B-5304
 PENDER COUNTY
 STATION: 12+27.00 -L-
 SHEET 4 OF 4

STATE OF NORTH CAROLINA
 DEPARTMENT OF TRANSPORTATION
 RALEIGH
 SUBSTRUCTURE
 END BENT No. 1 & 2
 DETAILS

ASSEMBLED BY : G. KOUCHEKI	DATE : 10/16
CHECKED BY : J.D. HAWK	DATE : 8/10/17
DRAWN BY : DGE 12/09	REV. 11/14
CHECKED BY : MKT 01/10	MAA/TMG

REVISIONS						SHEET NO.	
NO.	BY:	DATE:	NO.	BY:	DATE:	S-20	
1			3			TOTAL SHEETS 25	
2			4				