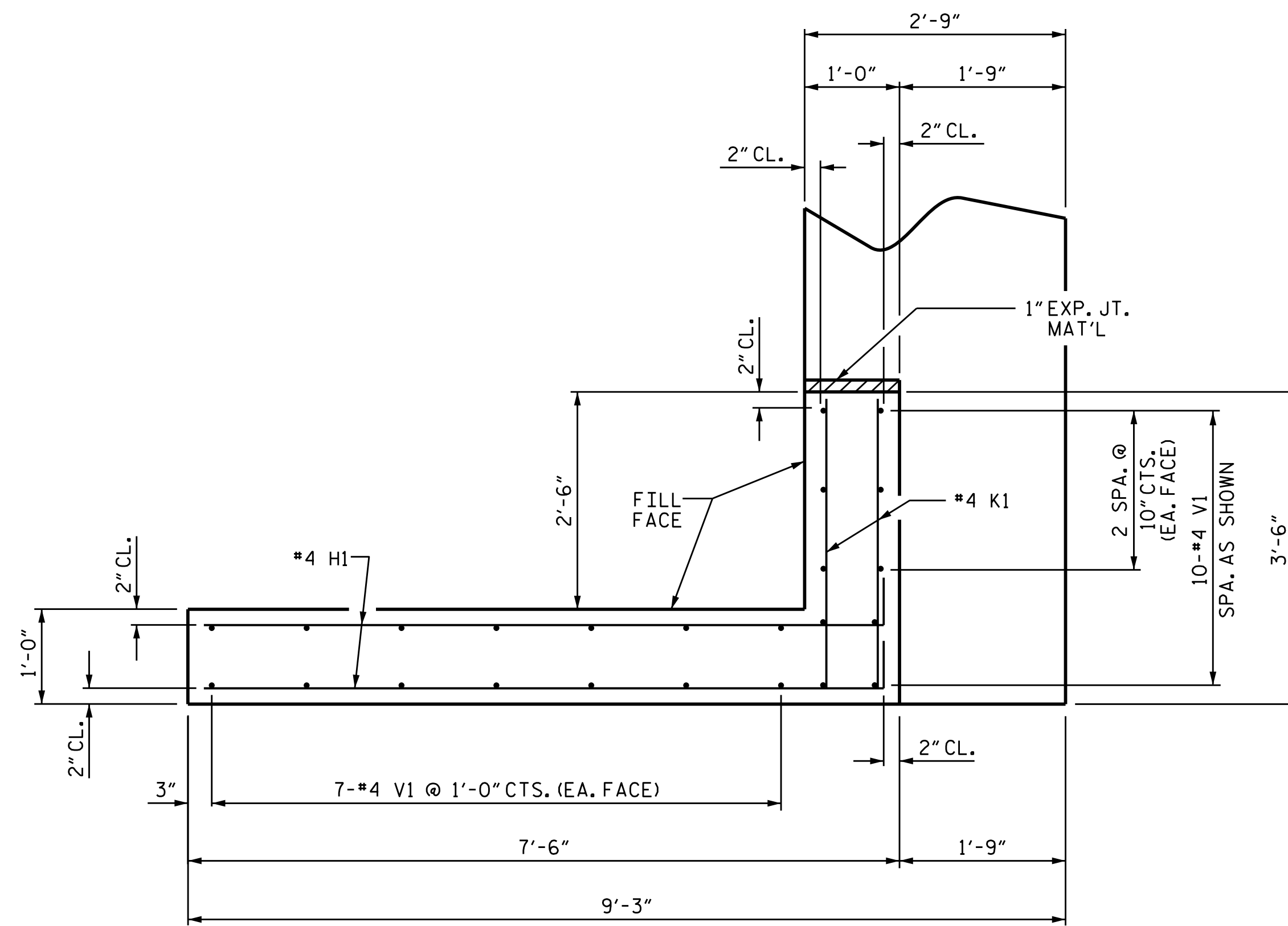
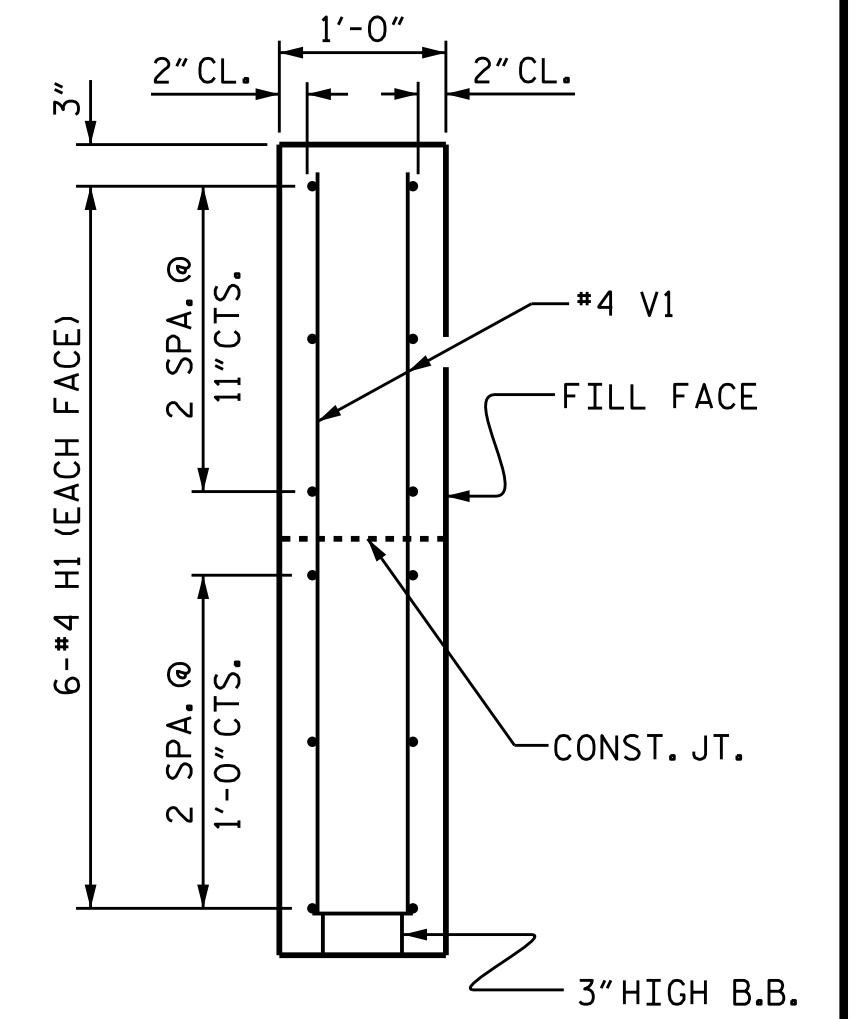


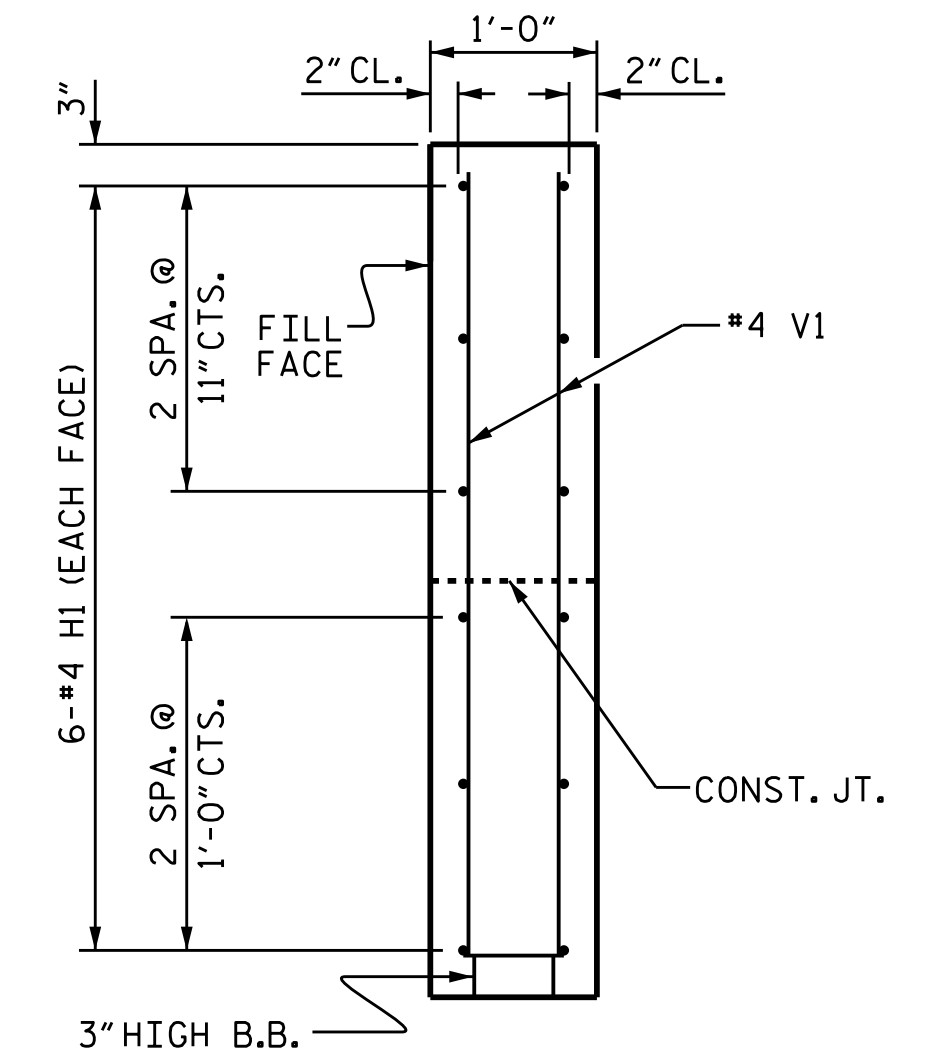
PLAN OF WING (W1)



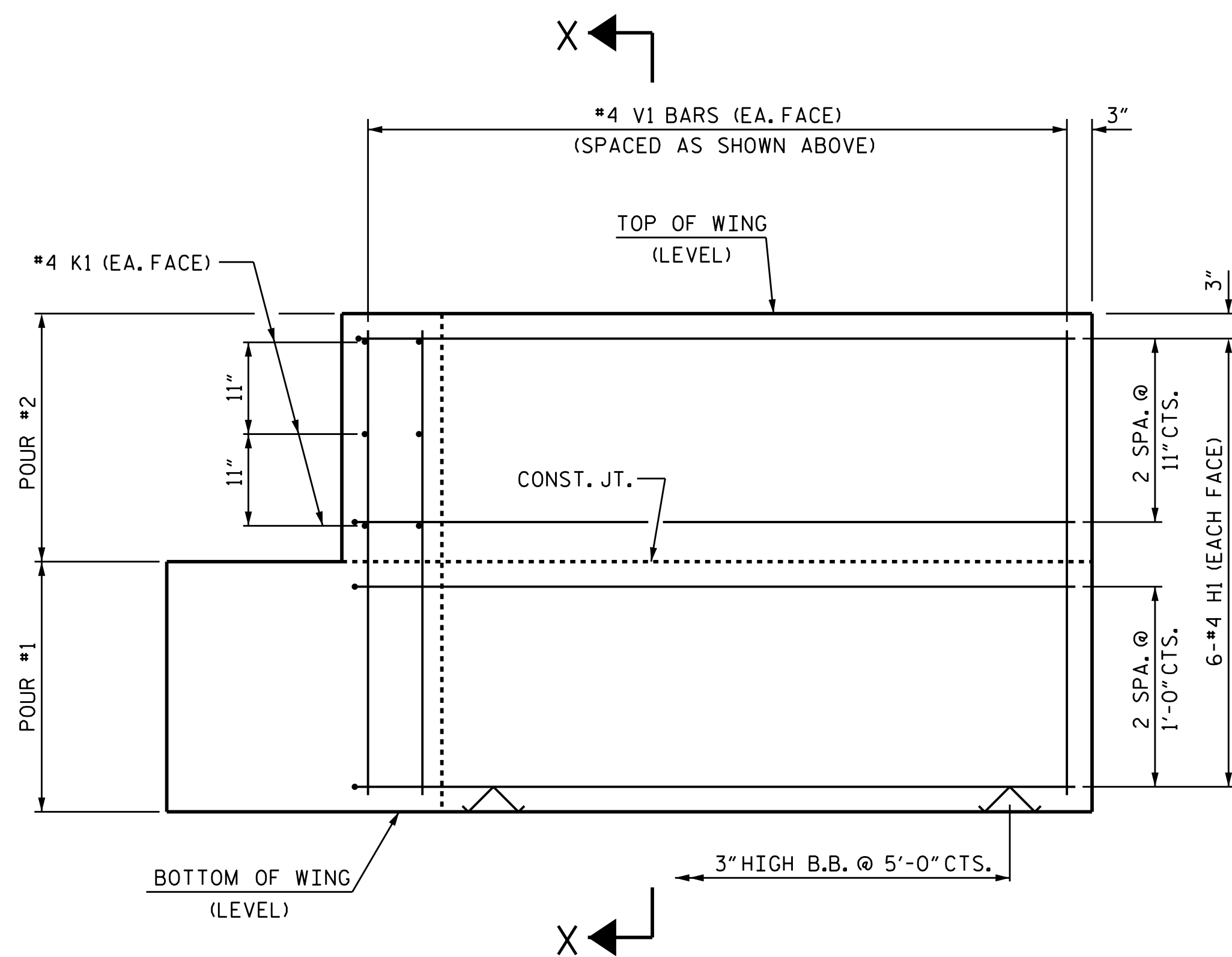
PLAN OF WING (W2)



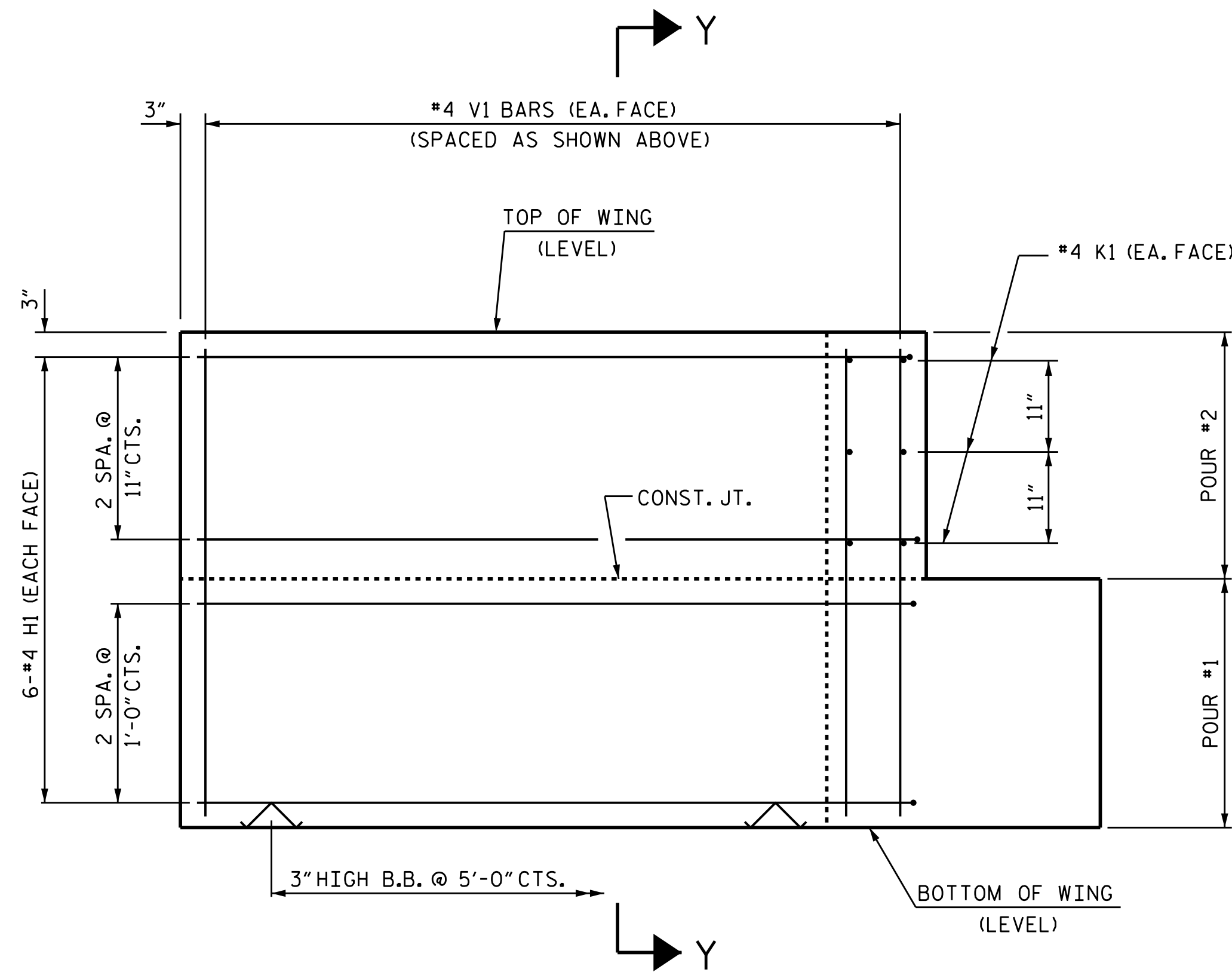
SECTION X-X



SECTION Y-Y



ELEVATION OF WING (W1)

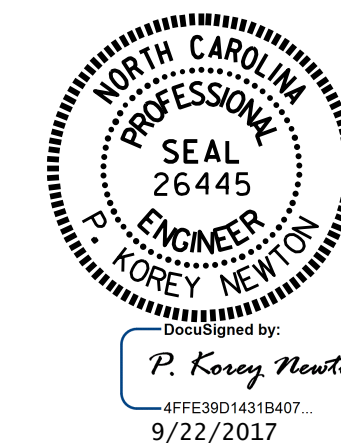


ELEVATION OF WING (W2)

WING DETAILS

| | |
|----------------------------|----------------|
| ASSEMBLED BY : G. KOUCHEKI | DATE : 10/16 |
| CHECKED BY : J. D. HAWK | DATE : 8/10/17 |
| DRAWN BY : DGE 02/10 | REV. 4/15 |
| CHECKED BY : MKT 02/10 | MAA/TMG |

22-SEP-2017 18:19
J:\Structures\Plans\B5304_SMU.E*.dgn
pknewton



PROJECT NO. B-5304
PENDER COUNTY
 STATION: 12+27.00 -L-
 SHEET 3 OF 4

STATE OF NORTH CAROLINA
 DEPARTMENT OF TRANSPORTATION
 RALEIGH

SUBSTRUCTURE
 END BENT
 WING DETAILS

DOCUMENT NOT CONSIDERED
 FINAL UNLESS ALL
 SIGNATURES COMPLETED

| REVISIONS | | | | | | SHEET NO. | |
|-----------|-----|-------|-----|-----|-------|--------------|--|
| NO. | BY: | DATE: | NO. | BY: | DATE: | S-19 | |
| 1 | | | 3 | | | TOTAL SHEETS | |
| 2 | | | 4 | | | 25 | |

STD. NO. EB_30_90S