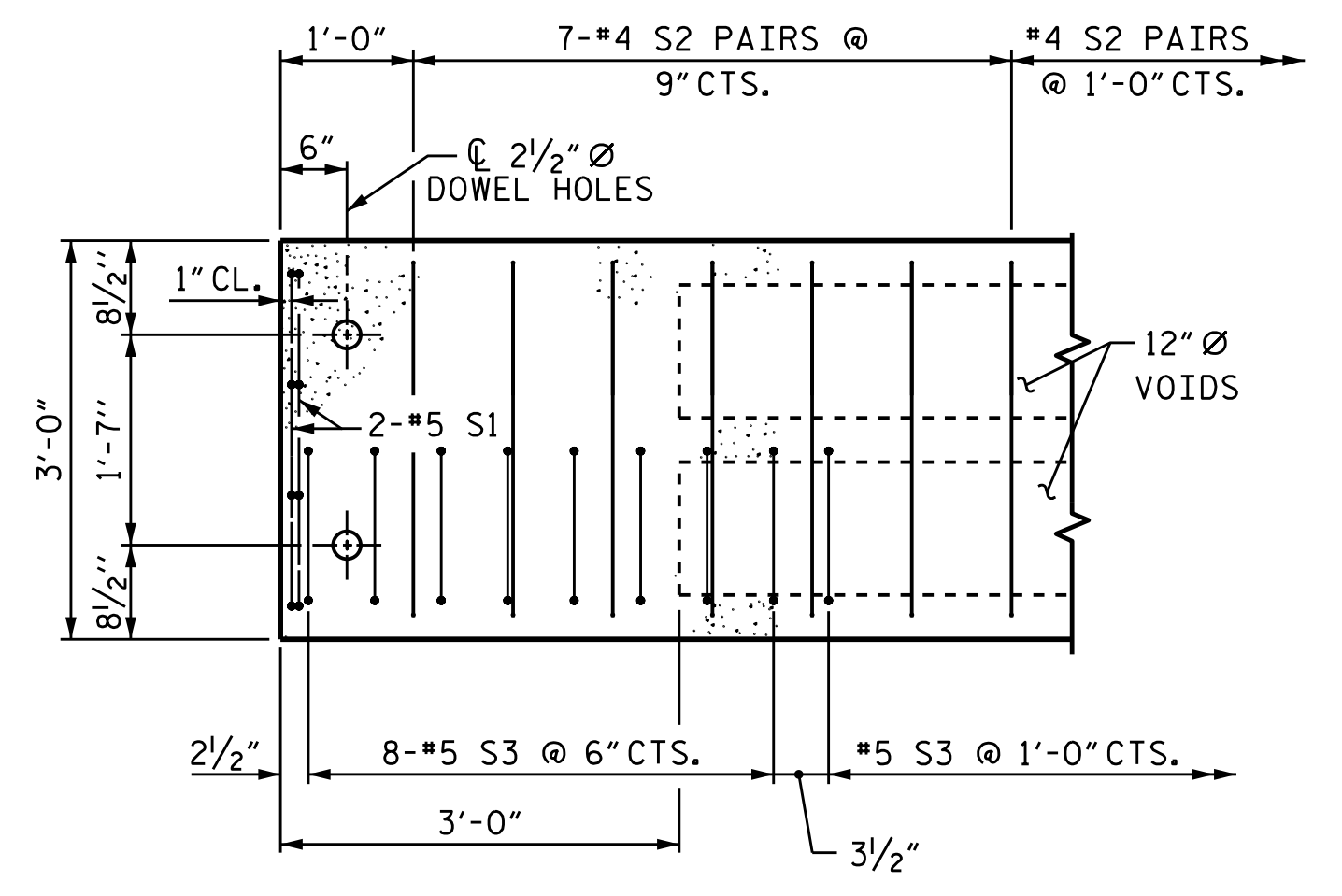


PLAN OF UNIT



DETAIL "A"

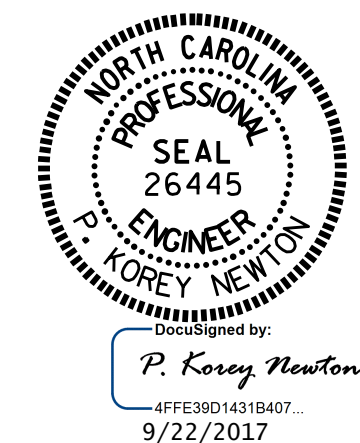
(TYPICAL EACH END OF UNIT)
 NOTE: EXTERIOR UNIT SHOWN - INTERIOR UNIT SIMILAR EXCEPT OMIT #5 S3 BARS.

PROJECT NO. B-5304
PENDER COUNTY
 STATION: 12+27.00 -L-

SHEET 2 OF 5

STATE OF NORTH CAROLINA
 DEPARTMENT OF TRANSPORTATION
 RALEIGH

PLAN OF 25' UNIT
 27'-10" CLEAR ROADWAY
 90° SKEW



Designed by:
 P. Corey Newton
 4FFE39D1431B407...
 9/22/2017

ASSEMBLED BY : G. KOUCHEKI	DATE : 9/30/16
CHECKED BY : J. D. HAWK	DATE : 8/10/17
DRAWN BY : DGE 3/09	REV. 12/5/11 MAA/AAC
CHECKED BY : BCH 3/09	REV. 8/14 MAA/TMG

DOCUMENT NOT CONSIDERED
 FINAL UNLESS ALL
 SIGNATURES COMPLETED

REVISIONS						SHEET NO.
NO.	BY:	DATE:	NO.	BY:	DATE:	S-8
1			3			TOTAL SHEETS
2			4			25