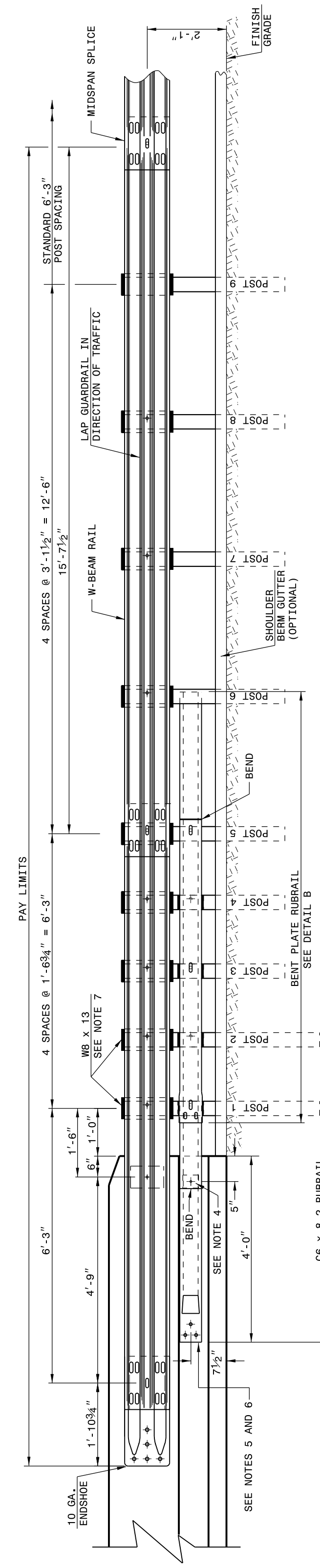


27-JUN-2017 10:58 S:\Contracts\Special Details\Joverton\Standard Drawings\Division 8\862d01 862d03 862d03\862d03.dgn
 Joverton AT: USD-292595

STATE OF NORTH CAROLINA
DEPT. OF TRANSPORTATION
DIVISION OF HIGHWAYS
RALEIGH, N.C.

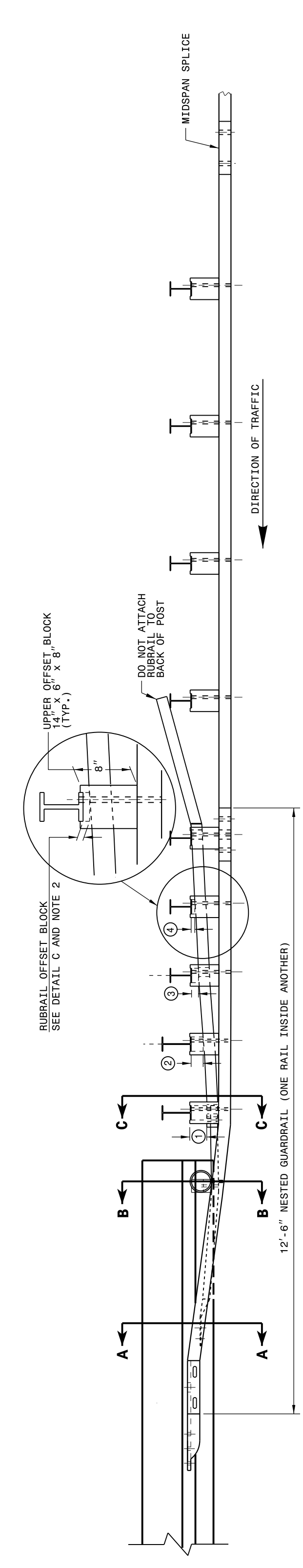
ROADWAY DETAIL DRAWING FOR
STRUCTURE ANCHOR UNIT
FOR F-SHAPE BARRIER

SHEET 4 OF 7
862D03



ELEVATION

- GENERAL NOTES:
- POSTS 1 THROUGH 5 REQUIRE AN ADDITIONAL HOLE TO ATTACH LOWER BLOCKOUTS AND/OR RUBRAIL.
 - RUBRAIL BLOCKOUTS LOCATED ON POSTS 1 THROUGH 4 ARE OFFSET DRILLED AND SECURED WITH 5/8" BUTT WASHERS. RUBRAIL BLOCKOUTS LOCATED ON POSTS 5 THROUGH 7 ARE OFFSET DRILLED AND SECURED WITH 3/4" BUTT WASHERS. RUBRAIL BLOCKOUTS LOCATED ON POSTS 1 AND 3 RUBRAIL IS SECURED TO POST 5 WITH 5/8" X 1 1/4" LONG BUTT WASHERS. RUBRAIL BLOCKOUTS LOCATED ON POSTS 2 AND 4 RUBRAIL IS SECURED TO POST 6 AND NOT SECURED.
 - 5/8" X 1 1/4" LONG BUTT WASHERS SHALL BE CALLED OUT WITH THE APPROPRIATE DIMENSIONS AND NOT SECURED.
 - SEE DETAIL D FOR SLOPED RUBRAIL BLOCKOUT. BLOCKOUT IS ATTACHED TO RAIL ELEMENT ONLY. USE 3/8" X 3" LAG BOLT WITH FLAT WASHER.
 - SHOP FABRICATE THE C6 X 8.2 RUBRAIL END TO BE CONSISTENT WITH THE SLOPE OF THE F SHAPE AND ATTACH FLUSH WITH THE SLOPED TOE OF THE BARRIER OR BRIDGE RAIL.
 - ANCHOR THE RUBRAIL TO THE W-BEAM END USING A 4 BOLT HOLD DOWN PLATE (SEE STD. DWG. 862.041).
 - ANCHOR THE RUBRAIL TO THE W-BEAM END USING A 4 BOLT HOLD DOWN PLATE (SEE STD. DWG. 862.041).
 - INSTALL THE W-BEAM END SHOE BEHIND THE NESTED W-BEAM ELEMENTS.
 - INSTALL THE W-BEAM END SHOE BEHIND THE NESTED W-BEAM ELEMENTS.
 - POSTS 1 AND 2 ARE W8 X 13, 7'-6" LONG. ALL OTHER POSTS IN THE ANCHOR UNIT ARE W8 X 8.5.



PLAN

GUARDRAIL ANCHOR UNIT TYPE B-77

SHEET 4 OF 7
862D03

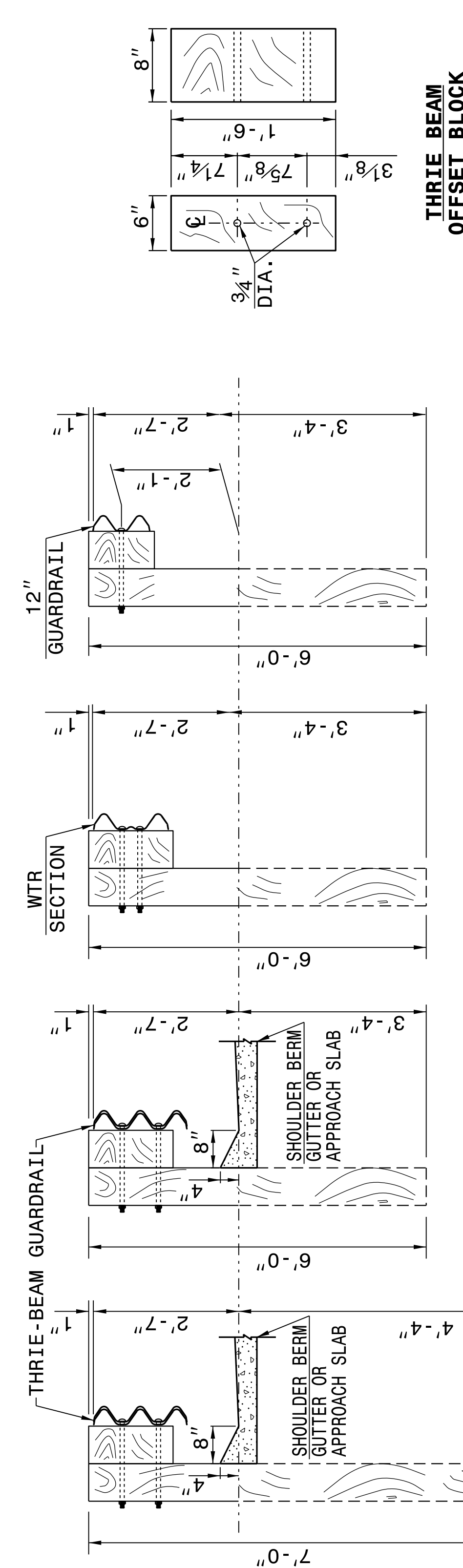
STATE OF NORTH CAROLINA
DEPT. OF TRANSPORTATION
DIVISION OF HIGHWAYS
RALEIGH, N.C.

ROADWAY DETAIL DRAWING FOR
GUARDRAIL ANCHOR UNIT
GUARDRAIL ANCHOR UNIT TYPE B-77
FOR F-SHAPE BARRIER

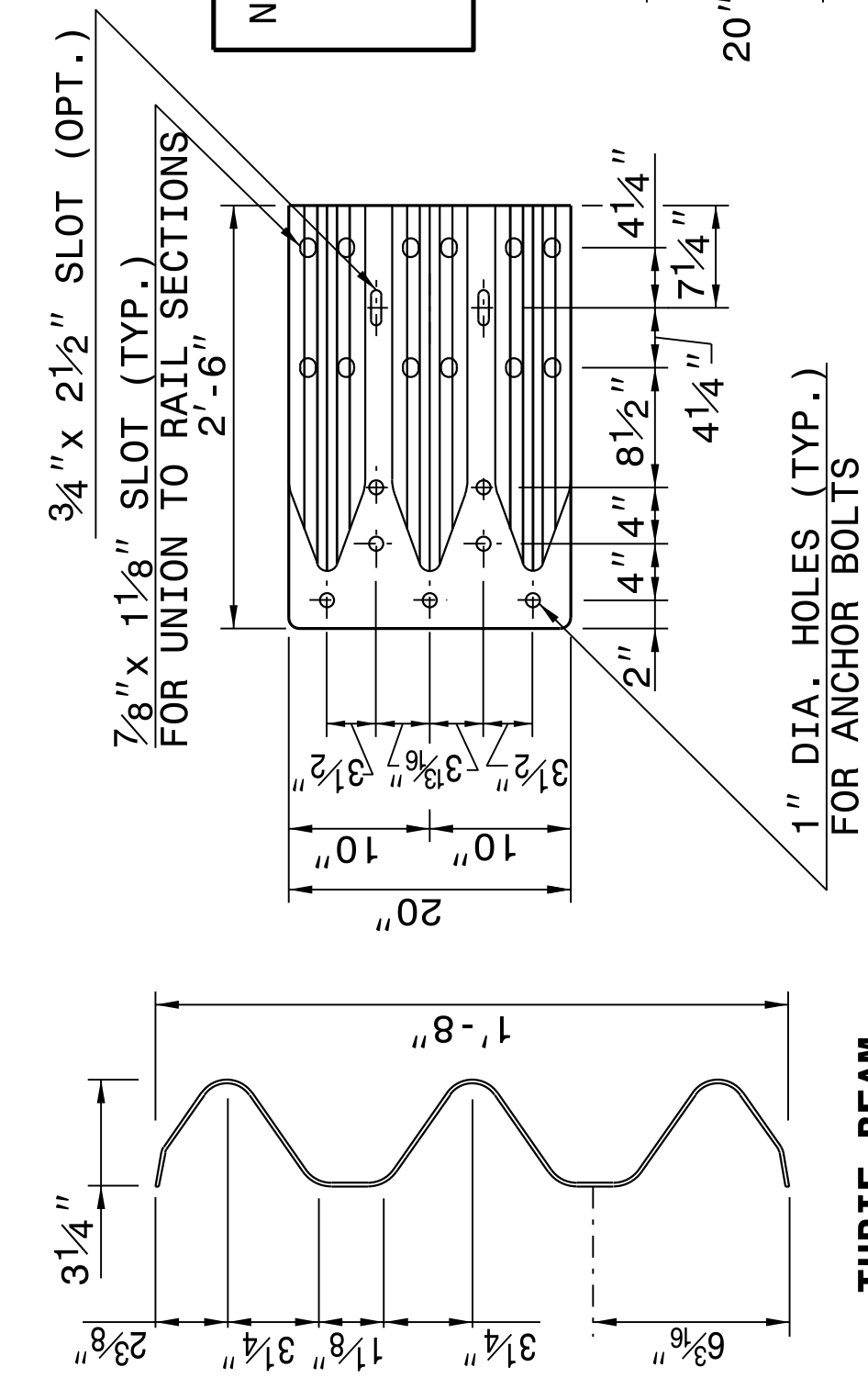
STATE OF NORTH CAROLINA
DEPT. OF TRANSPORTATION
DIVISION OF HIGHWAYS
RALEIGH, N.C.

ROADWAY DETAIL DRAWING FOR
STRUCTURE ANCHOR UNITS
GUARDRAIL ANCHOR UNIT, TYPE III

SHEET 3 OF 7
862D03

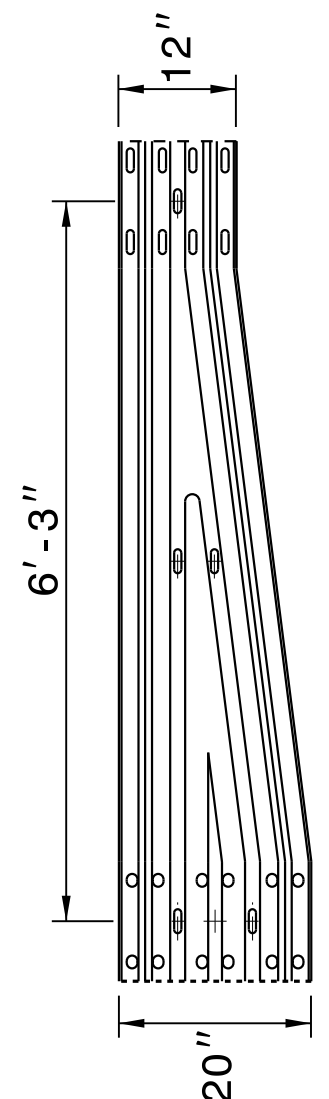


SECTION OF THRRIE BEAM POSTS 1 THRU 6 **SECTION OF THRRIE BEAM POST 7** **SECTION OF WTR BEAM POST 8** **SECTION OF 'W' BEAM POST 9**



THRRIE-BEAM SECTION **END SHOE**

NOTE: THE MID POST AND OFFSET BLOCK OF SPECIAL BOLT HOLE DRILLING IN THE THRRIE BEAM OFFSET BLOCK AND LINE POST.



WTR SECTION ELEVATION VIEW

THRRIE BEAM OFFSET BLOCK

THRRIE BEAM LINE POST

STATE OF NORTH CAROLINA
DEPT. OF TRANSPORTATION
DIVISION OF HIGHWAYS
RALEIGH, N.C.

ROADWAY DETAIL DRAWING FOR
STRUCTURE ANCHOR UNITS
GUARDRAIL ANCHOR UNIT, TYPE III

SHEET 3 OF 7
862D03

DOCUMENT NOT CONSIDERED FINAL
UNLESS ALL SIGNATURES COMPLETED

**CONTRACT STANDARDS
AND DEVELOPMENT UNIT**
Office 919-707-6950 FAX 919-250-4119

SEE TITLE BLOCK

ORIGINAL BY: J HOWERTON	DATE: 06-22-12
MODIFIED BY:	DATE:
CHECKED BY:	DATE:
FILE SPEC.:	DATE:

