

PICK - UP POINTS

NOTES:

CONCRETE DESIGN DATA : $f'c = 5,000$ PSI

PROPOSED DEVICES FOR LIFTING PILES, RECESS DETAILS, AND PATCHING MATERIAL SHALL BE DETAILED IN SHOP DRAWINGS. AFTER ATTACHMENTS HAVE BEEN REMOVED, OPENINGS SHALL BE REPAIRED SUCH THAT THE APPEARANCE OF THE PILE IS UNIFORM.

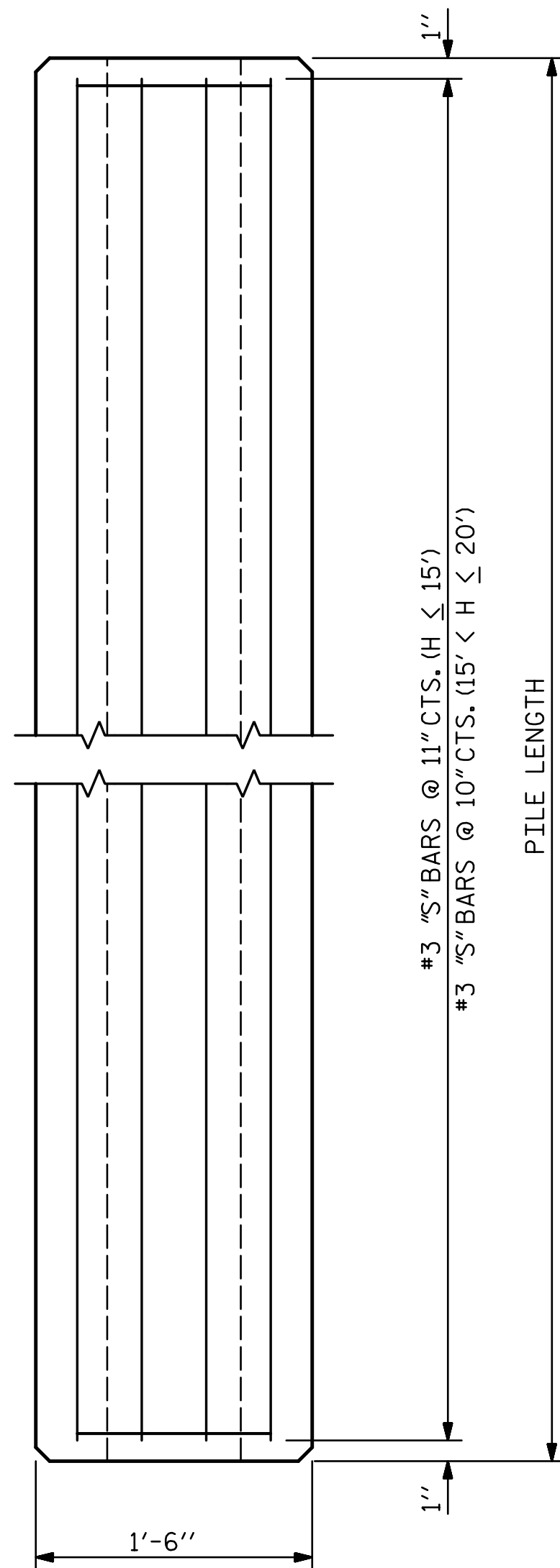
WHERE CAST-IN-PLACE LIFTING DEVICES ARE NOT USED, PICK-UP POINTS TO BE INDICATED WITH A BLACK MARK 2" WIDE.

THE SLIP-FORM METHOD OF CASTING PILES WILL NOT BE PERMITTED.

ALL CORNERS TO BE CHAMFERED 1".

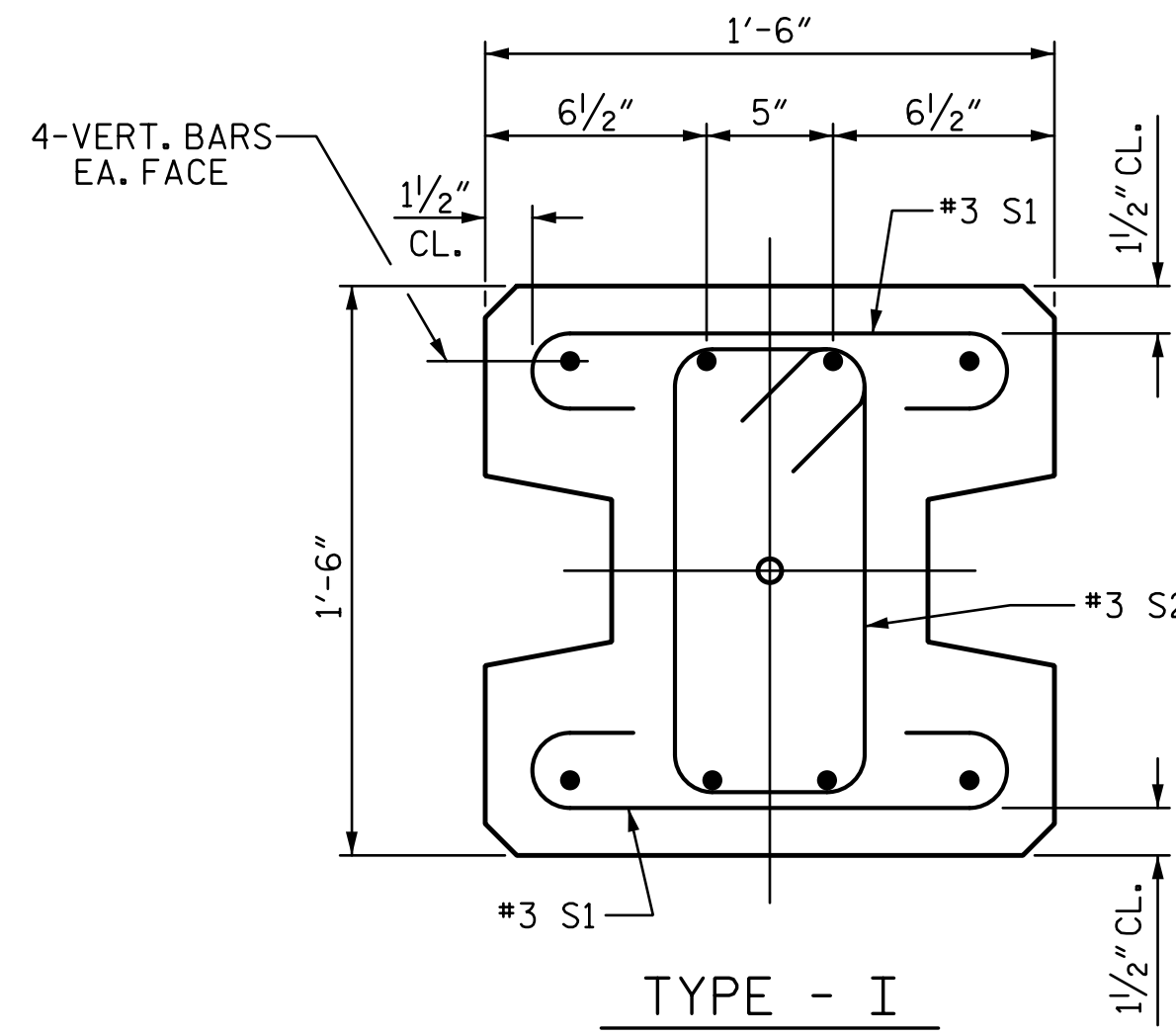
QUANTITIES FOR ONE PRECAST CONCRETE PILE

LENGTH	APPROX. PILE WT. TONS	ONE PICK-UP POINT		TWO PICK-UP POINT	
		0.300L	0.700L	0.207L	0.586L
10'-0"	1.56	3'-0"	7'-0"		
15'-0"	2.35	4'-6"	10'-6"		
20'-0"	3.14	6'-0"	14'-0"		
25'-0"	3.93	7'-6"	17'-6"		
30'-0"	4.70	9'-0"	21'-0"		
35'-0"	5.49	10'-6"	24'-6"		
40'-0"	6.28	12'-0"	28'-0"		
45'-0"	7.05	13'-6"	31'-6"		
50'-0"	7.84	15'-0"	35'-0"		
55'-0"	8.63			11'-4 1/2"	32'-3"
60'-0"	9.42			12'-5"	35'-2"

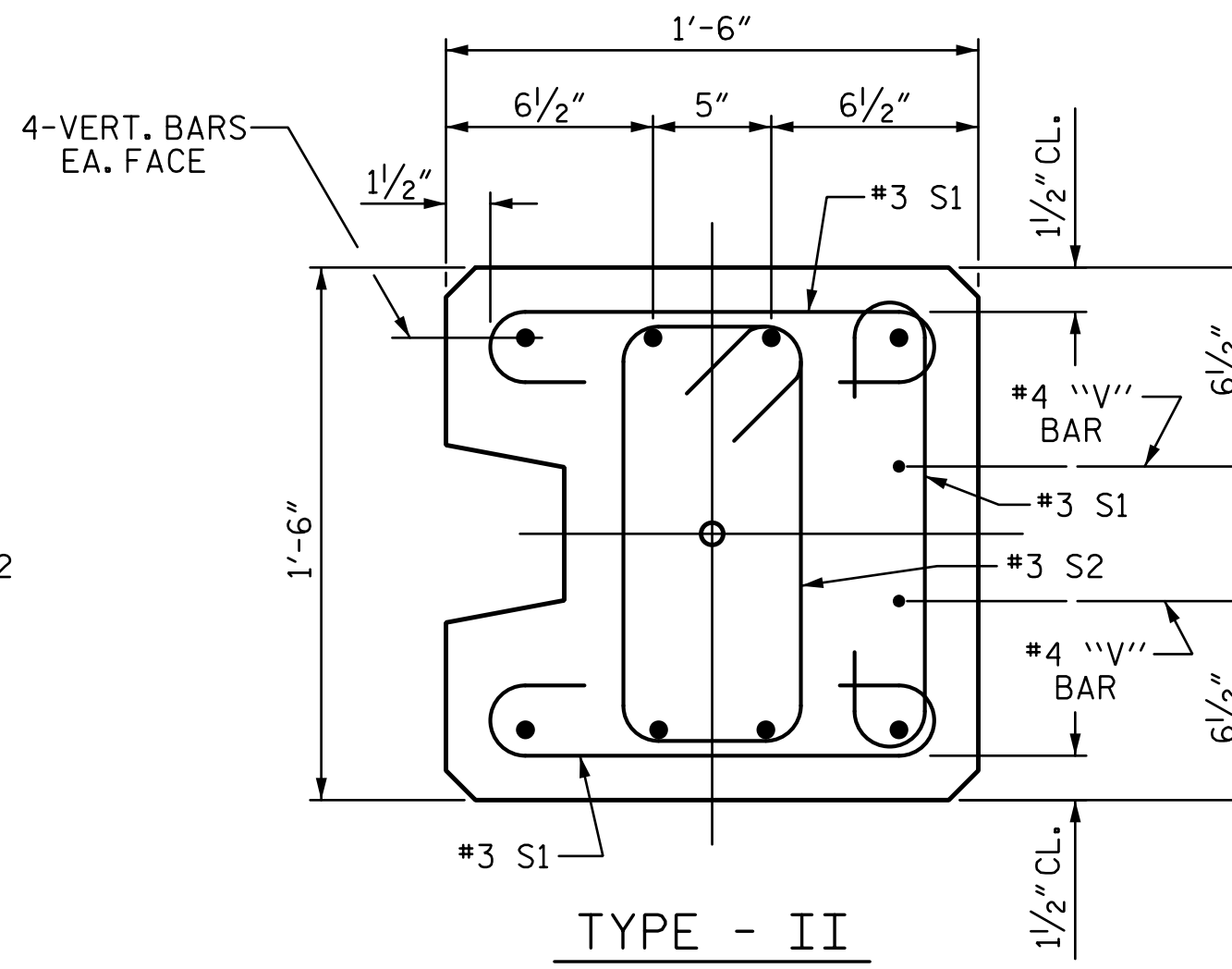


ELEVATION

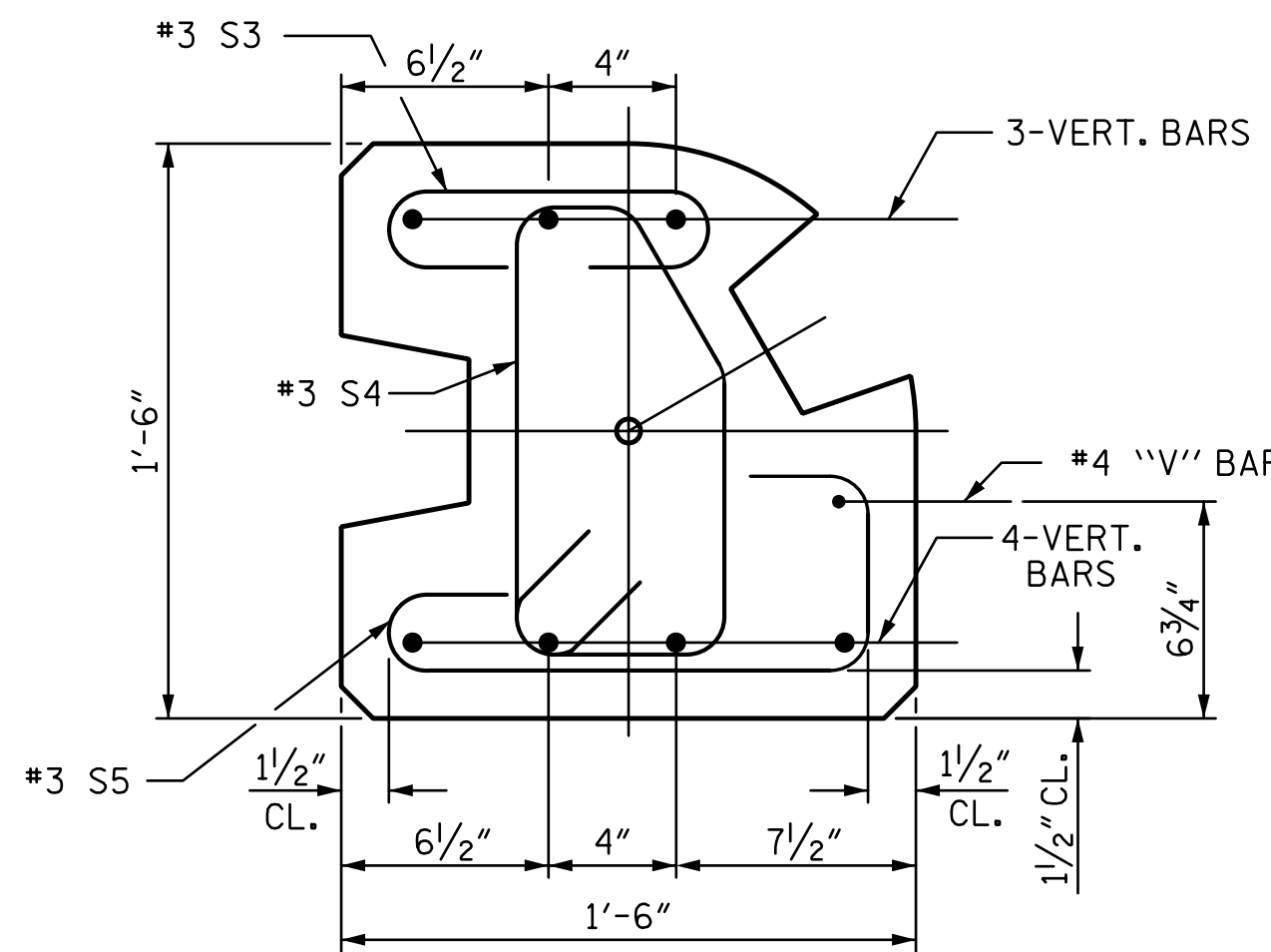
(4" IS SOUND BARRIER WALL HEIGHT, SEE "SOUND BARRIER WALL" SHEETS.)



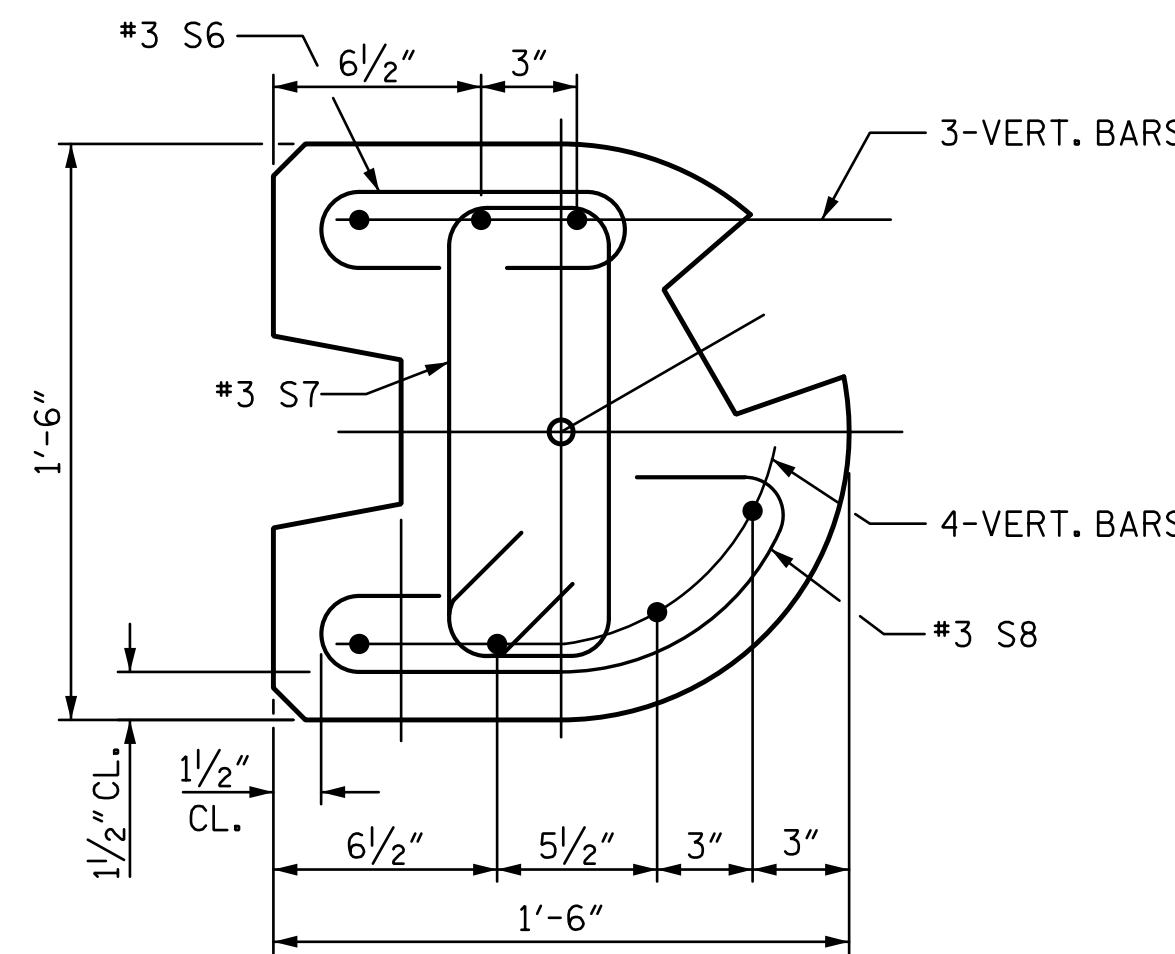
TYPE - I



TYPE - II



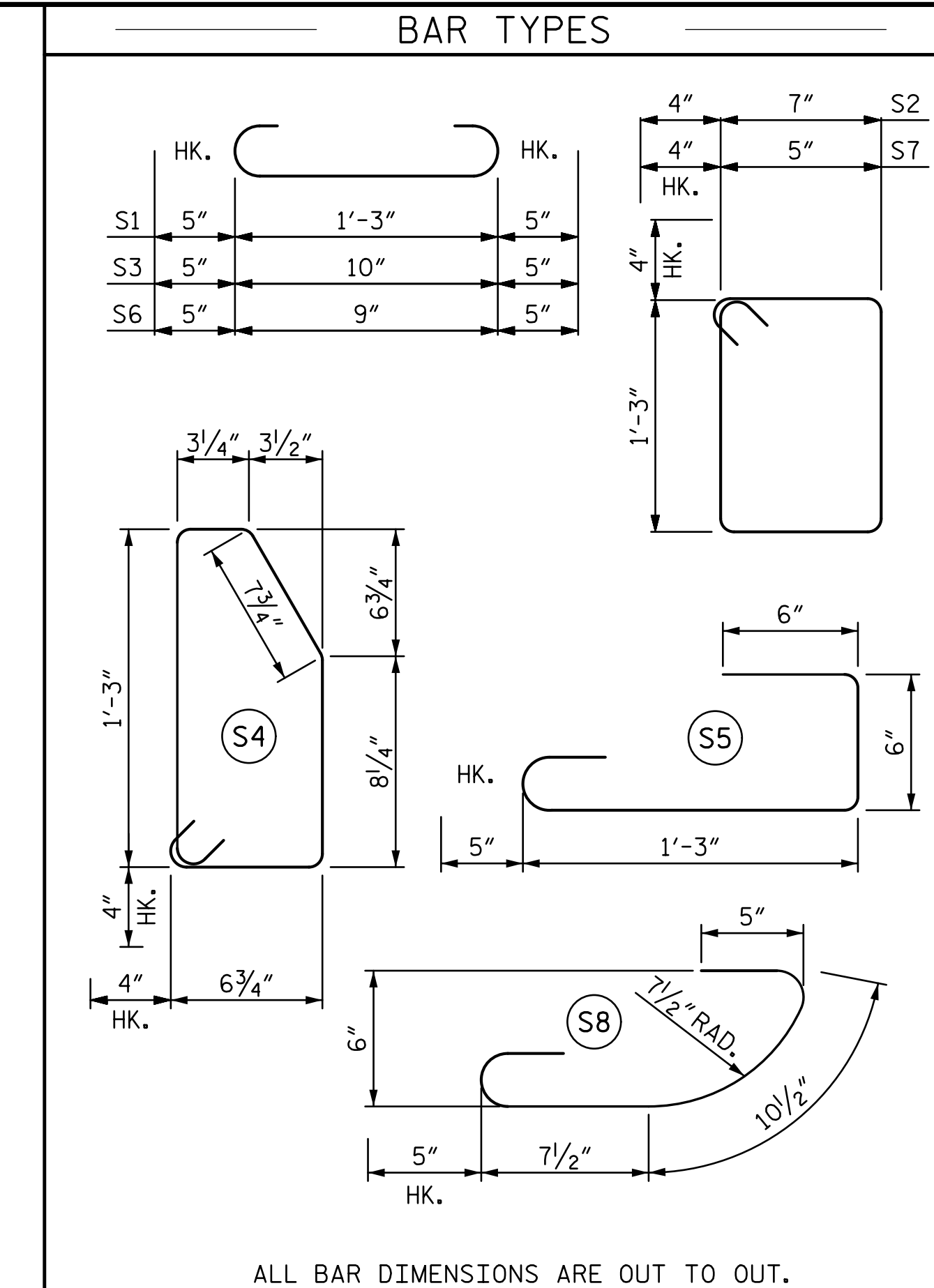
TYPE - III



TYPE - III (ALT.)

PILE REINFORCING STEEL DETAIL

FOR VERTICAL BAR PILE REINFORCING, SEE "SOUND BARRIER WALL" SHEETS.



ALL BAR DIMENSIONS ARE OUT TO OUT.

PROJECT NO. U-4751

NEW HANOVER COUNTY

STATION: VARIES

SHEET 2 OF 3

DOCUMENT NOT CONSIDERED FINAL UNLESS ALL SIGNATURES COMPLETED

STATE OF NORTH CAROLINA
DEPARTMENT OF TRANSPORTATION
RALEIGH

SOUND BARRIER WALL DETAILS

REVISIONS				SHEET NO.	
NO.	BY:	DATE:	NO.	BY:	DATE:
1			3		
2			4		

TOTAL SHEETS: 17

8/17/2017 3:04:36 PM R:\noisewalls\420_003_U4751_SML_NW_002_640000.dgn

DRAWN BY: MBC DATE: 5-17
 CHECKED BY: NML DATE: 5-17
 DESIGN ENGINEER OF RECORD: J. DICHAK DATE: 5-17