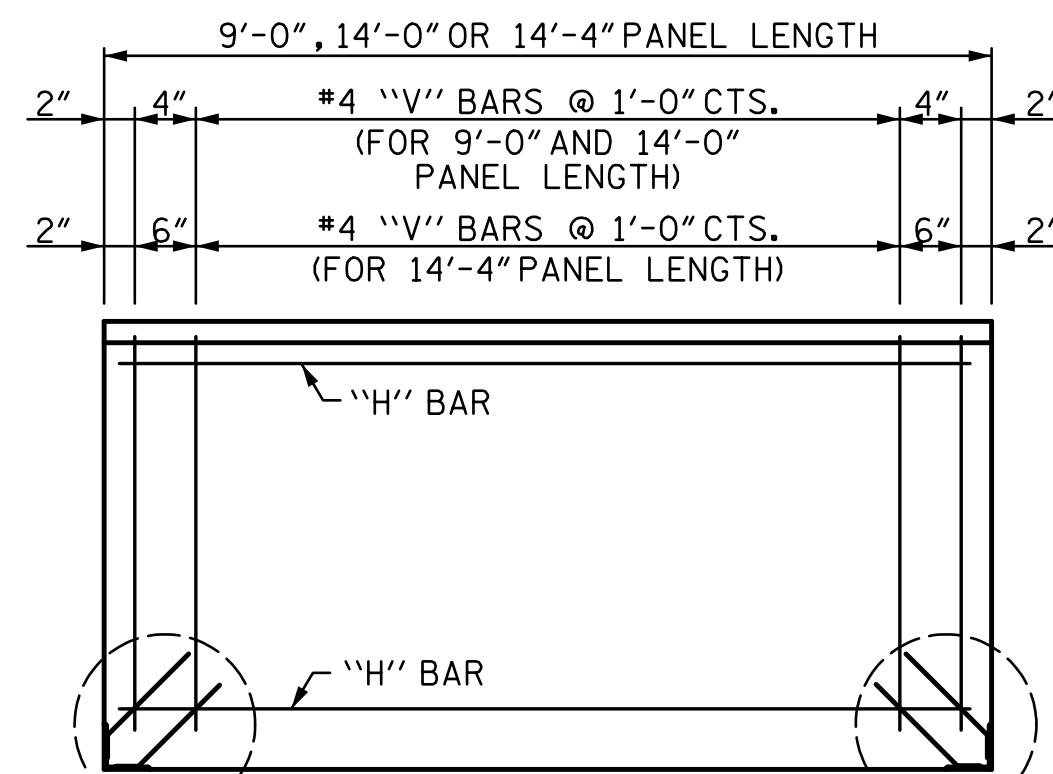


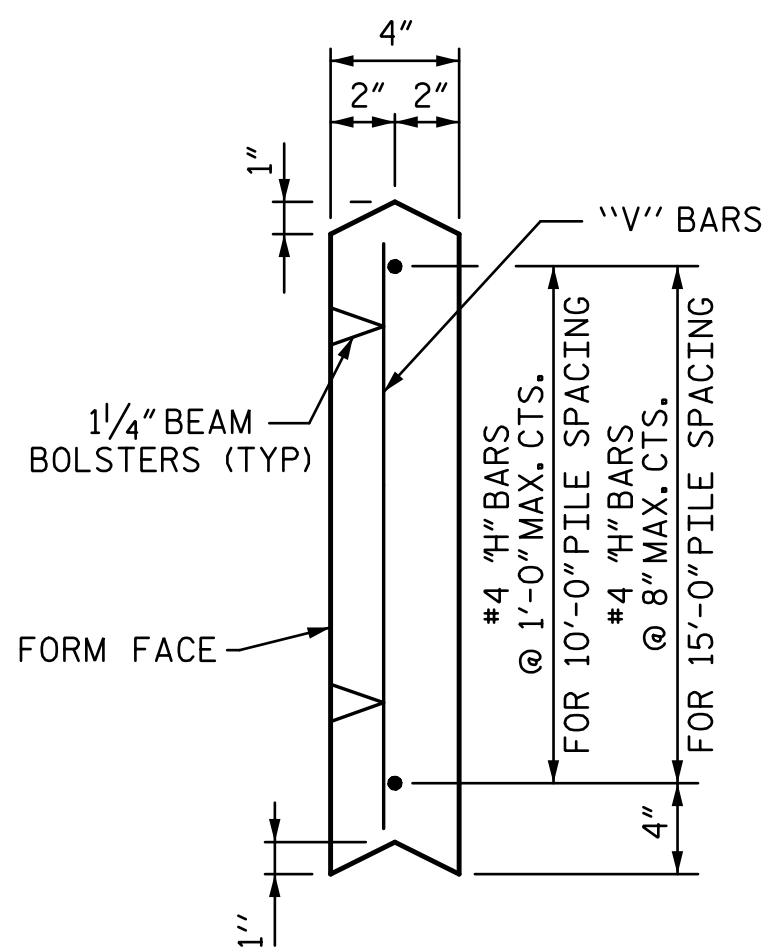
FRONT ELEVATION OF UPPER PRECAST PANELS

(FOR 9'-0", 14'-0" OR 14'-4" PANEL LENGTH)

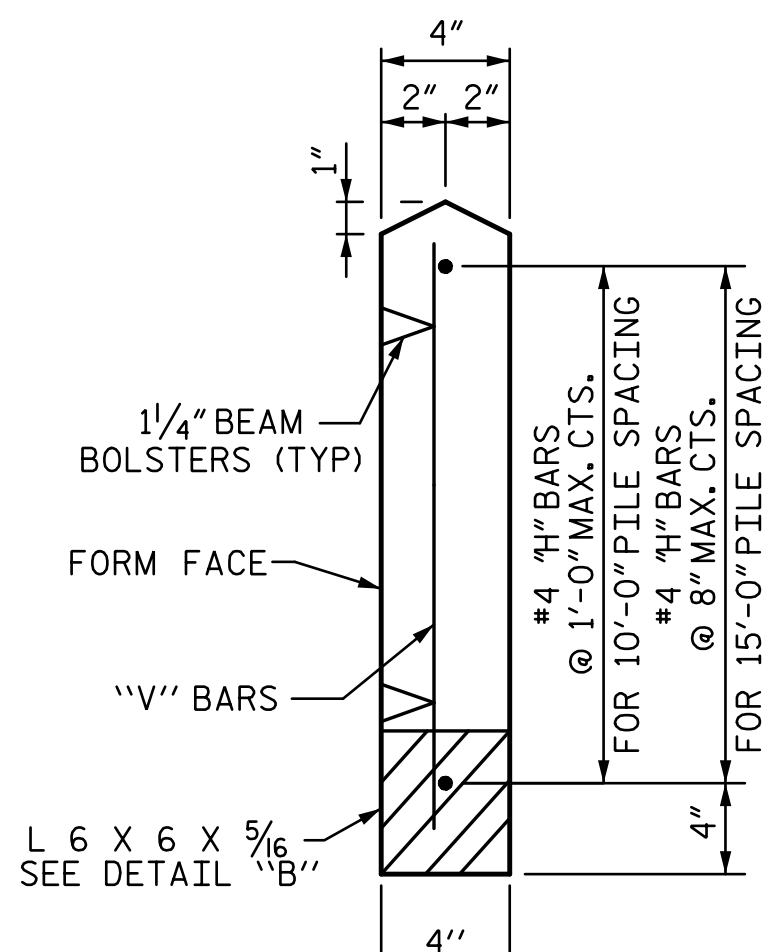


FRONT ELEVATION OF BOTTOM PRECAST PANEL

(FOR 9'-0", 14'-0" OR 14'-4" PANEL LENGTH)



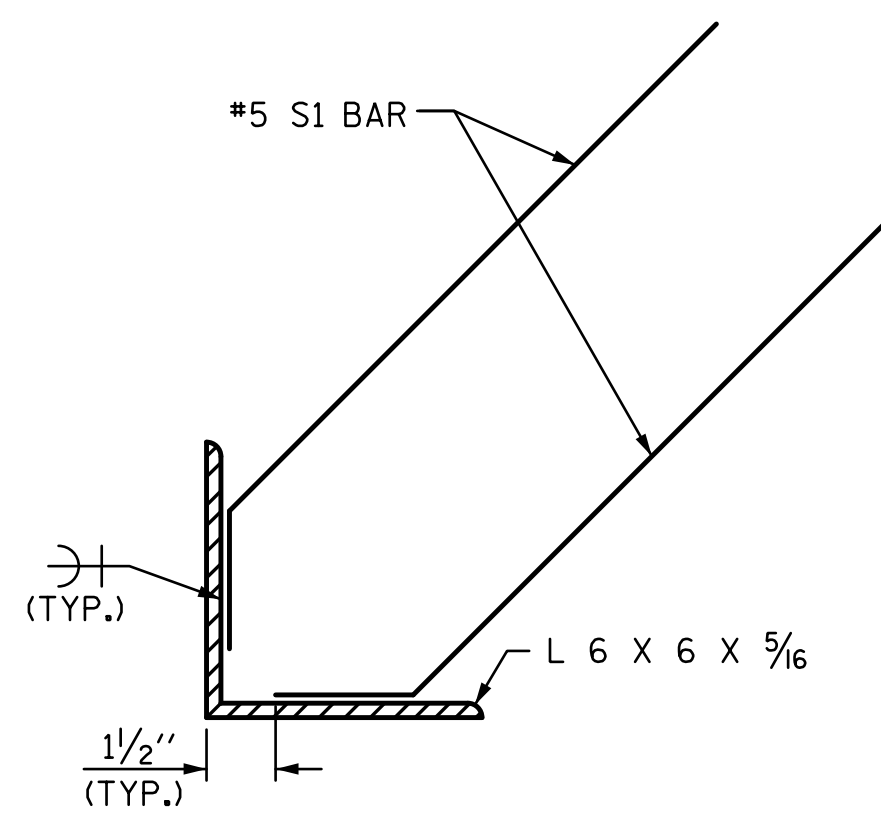
UPPER PANEL



BOTTOM PANEL

SECTION THROUGH PRECAST PANELS

(FOR 9'-0", 14'-0" OR 14'-4" PANEL LENGTH)



DETAIL "B"

QUANTITIES FOR ONE PRECAST PANEL (FOR 10'-0" PILE SPACING)

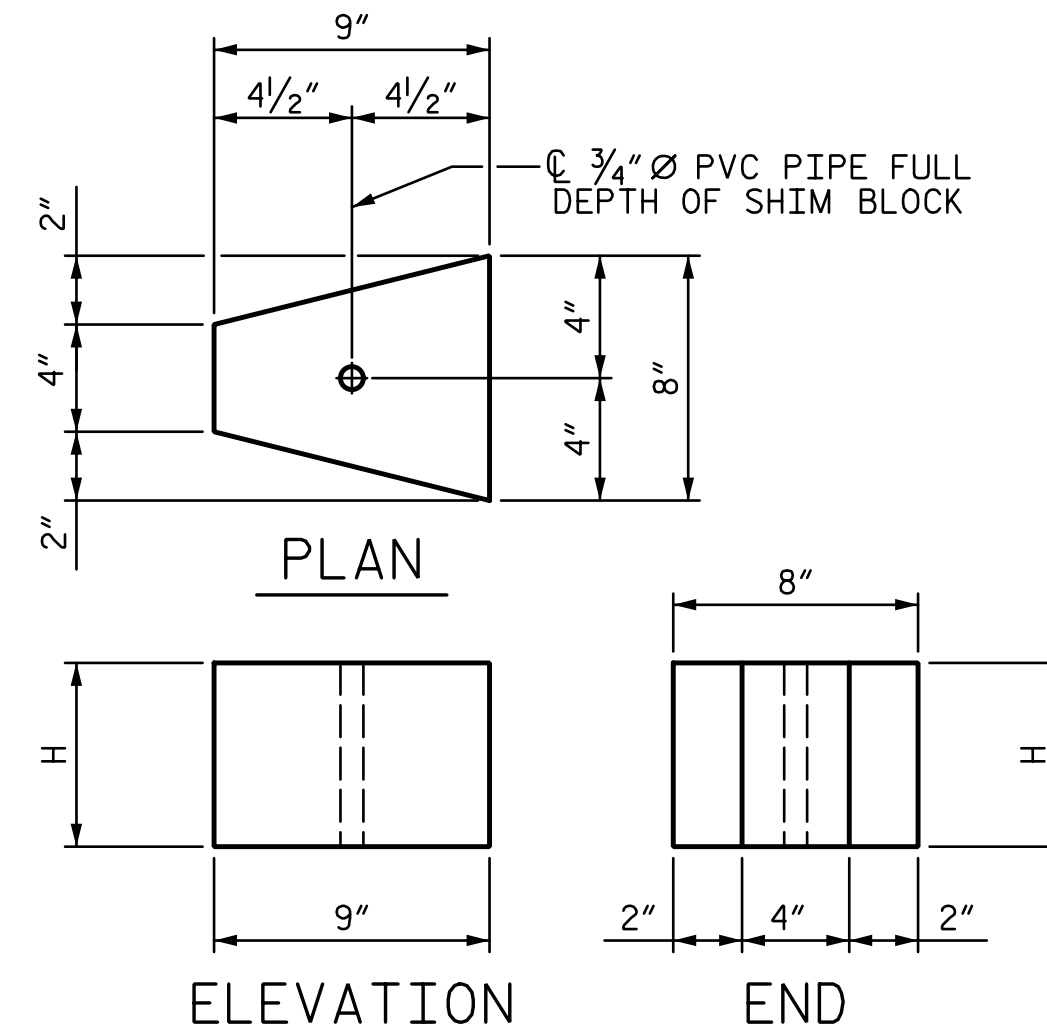
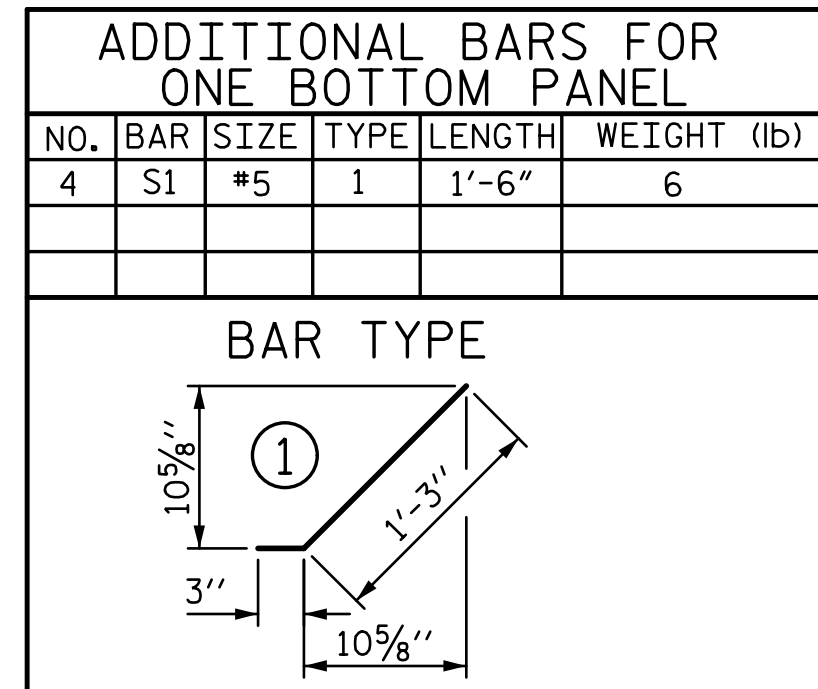
PANEL HEIGHT	CLASS AA CONCRETE C.Y.	BAR TYPES									
		HORIZONTAL				VERTICAL					
		NO.	BAR SIZE	TYPE	LENGTH	WEIGHT (lb)	NO.	BAR SIZE	TYPE	LENGTH	WEIGHT (lb)
2'-0"	0.22	3	H1 #4	STR	8'-8"	17	11	V1 #4	STR	1'-8"	12
3'-0"	0.33	4	H2 #4	STR	8'-8"	23	11	V2 #4	STR	2'-8"	20
4'-0"	0.44	5	H3 #4	STR	8'-8"	29	11	V3 #4	STR	3'-8"	27

QUANTITIES FOR ONE 14'-0" PRECAST PANEL (FOR 15'-0" PILE SPACING)

PANEL HEIGHT	CLASS AA CONCRETE C.Y.	BAR TYPES									
		HORIZONTAL				VERTICAL					
		NO.	BAR SIZE	TYPE	LENGTH	WEIGHT (lb)	NO.	BAR SIZE	TYPE	LENGTH	WEIGHT (lb)
3'-0"	0.52	5	H1 #4	STR	13'-8"	46	16	V1 #4	STR	2'-8"	29
4'-0"	0.69	7	H2 #4	STR	13'-8"	64	16	V2 #4	STR	3'-8"	39
5'-0"	0.86	8	H3 #4	STR	13'-8"	73	16	V3 #4	STR	4'-8"	50
6'-0"	1.04	10	H4 #4	STR	13'-8"	91	16	V4 #4	STR	5'-8"	61

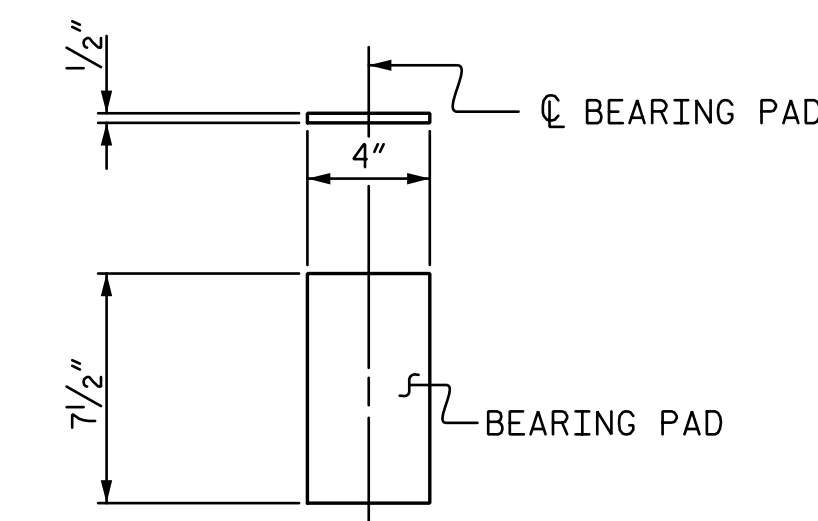
QUANTITIES FOR ONE 14'-4" PRECAST PANEL (FOR 15'-0" PILE SPACING)

PANEL HEIGHT	CLASS AA CONCRETE C.Y.	BAR TYPES									
		HORIZONTAL				VERTICAL					
		NO.	BAR SIZE	TYPE	LENGTH	WEIGHT (lb)	NO.	BAR SIZE	TYPE	LENGTH	WEIGHT (lb)
3'-0"	0.53	5	H1 #4	STR	14'-0"	47	16	V1 #4	STR	2'-8"	29
4'-0"	0.71	7	H2 #4	STR	14'-0"	65	16	V2 #4	STR	3'-8"	39
5'-0"	0.88	8	H3 #4	STR	14'-0"	75	16	V3 #4	STR	4'-8"	50
6'-0"	1.06	10	H4 #4	STR	14'-0"	94	16	V4 #4	STR	5'-8"	61



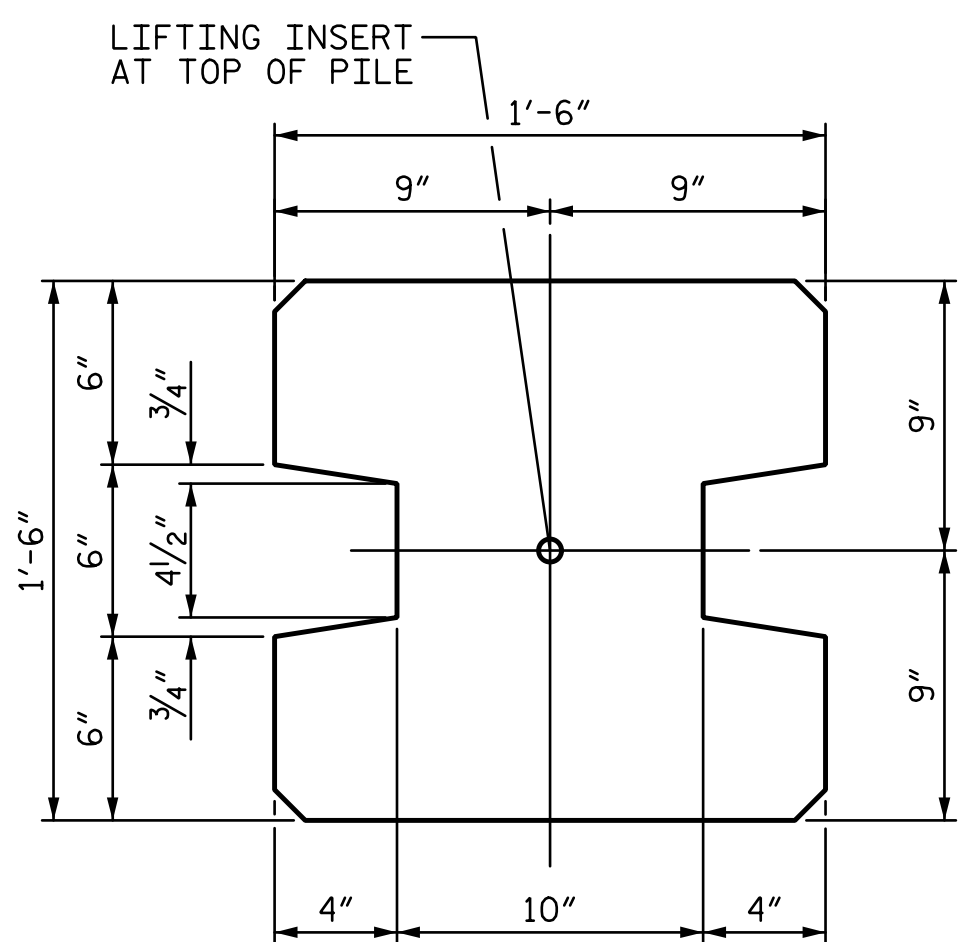
CONCRETE SHIM BLOCK

H = 3", 6" or 1'-0"

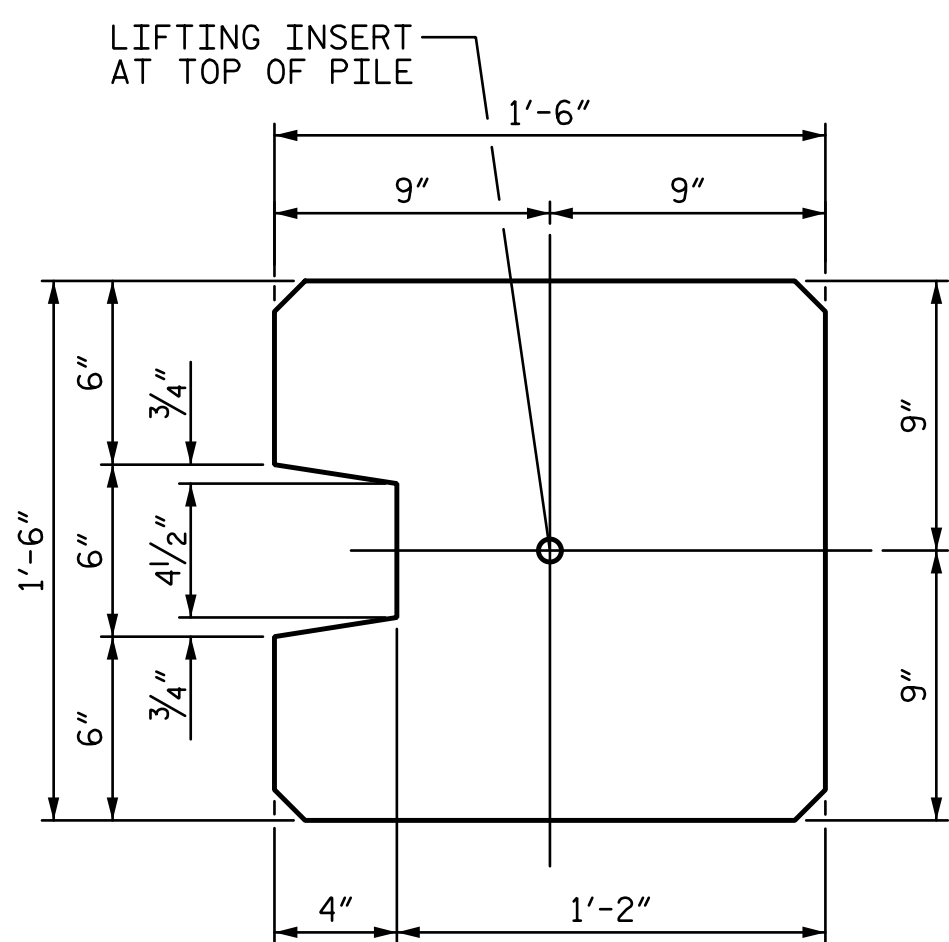


ELASTOMERIC BEARING DETAILS

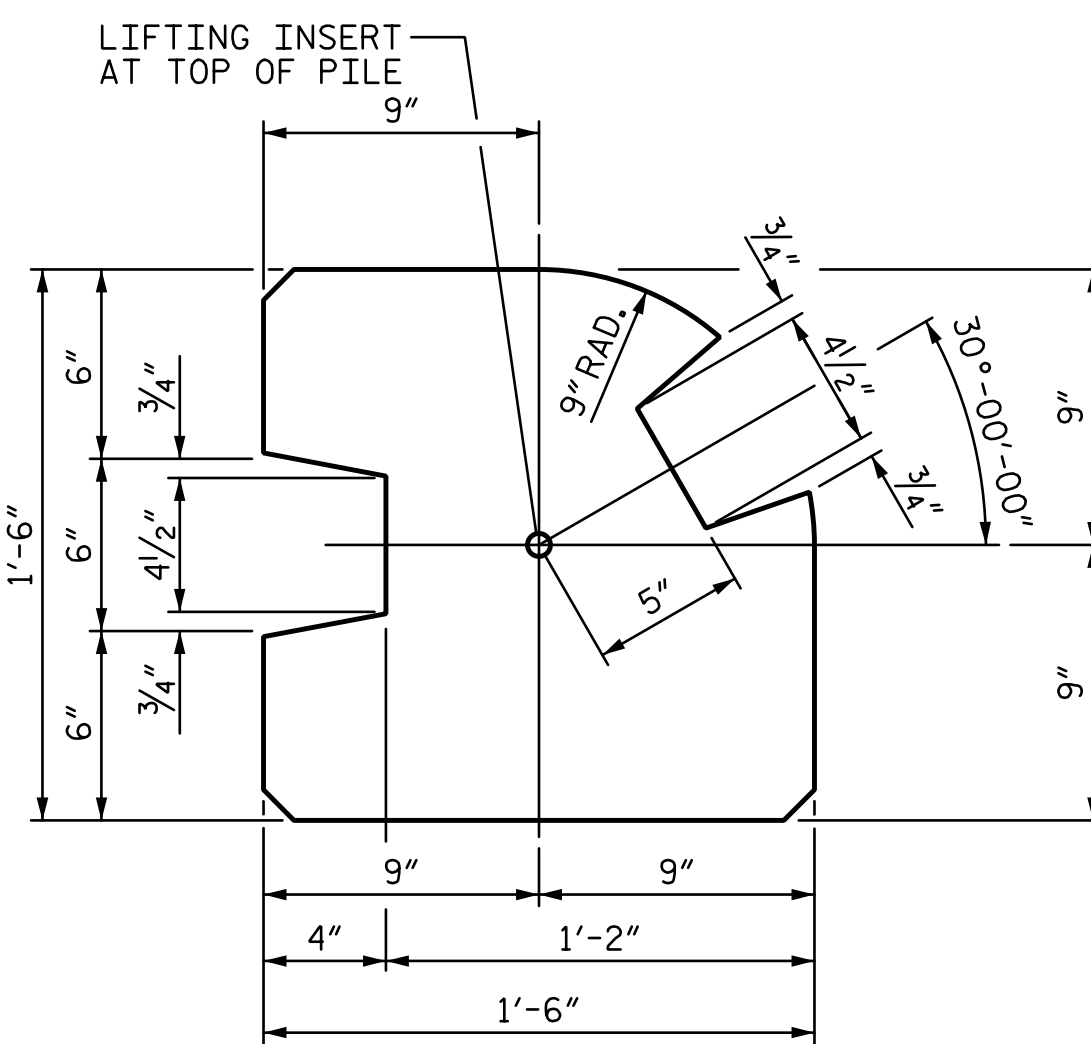
ELASTOMER IN BEARINGS SHALL BE 50 DUROMETER HARDNESS.



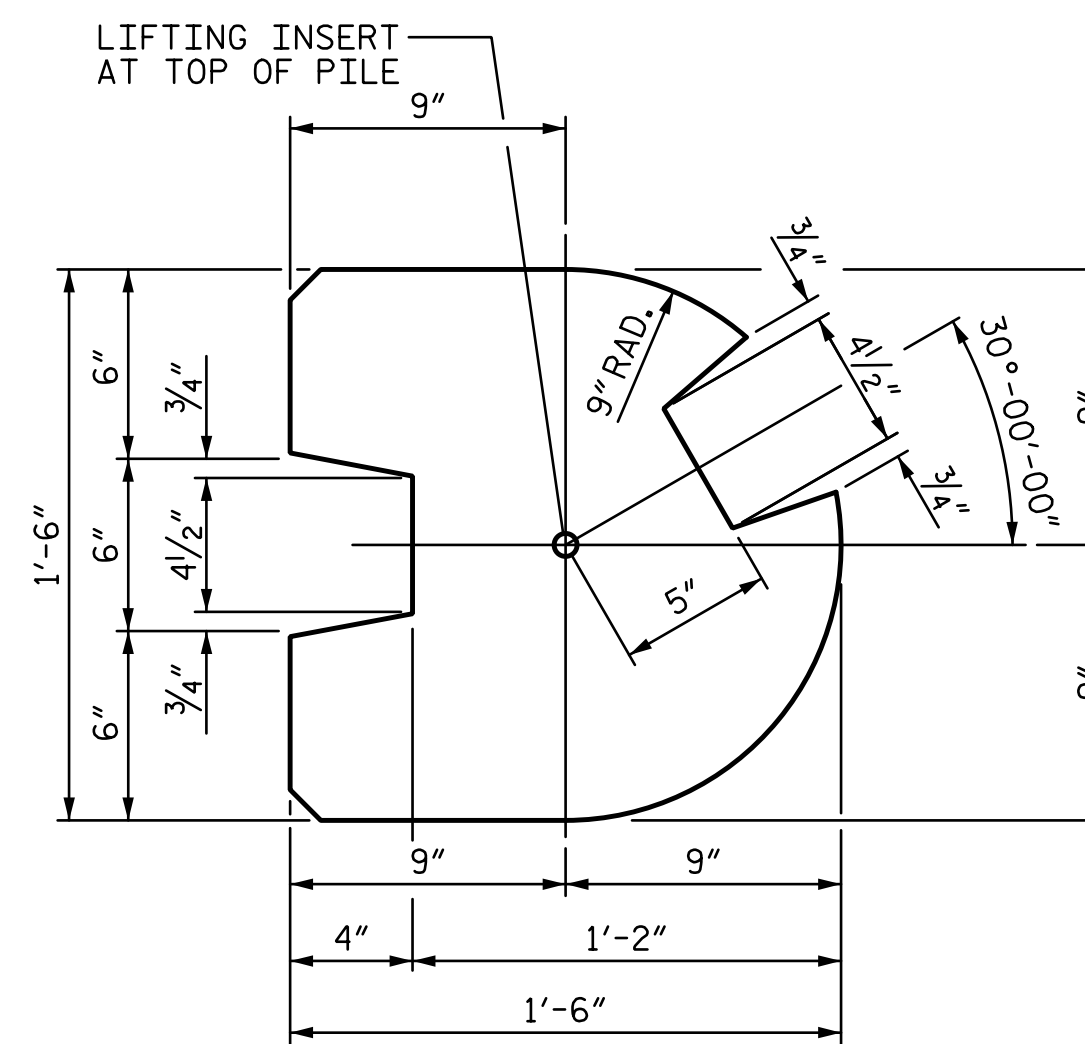
TYPE - I  
(AREA = 1.9444 SQ. FT.)



TYPE - II  
(AREA = 2.0903 SQ. FT.)



TYPE - III  
(AREA = 1.8336 SQ. FT.)



TYPE - III (ALT.)  
(AREA = 1.7163 SQ. FT.)

PILE DETAIL

(ALL CORNERS TO BE CHAMFERED 1")

PROJECT NO. U-4751  
NEW HANOVER COUNTY  
 STATION: VARIES

SHEET 1 OF 3

DOCUMENT NOT CONSIDERED FINAL UNLESS ALL SIGNATURES COMPLETED

STATE OF NORTH CAROLINA  
 DEPARTMENT OF TRANSPORTATION  
 RALEIGH

**SOUND BARRIER WALL DETAILS**

REVISIONS				SHEET NO.
NO.	BY:	DATE:	NO.	DATE:
1			3	
2			4	

TOTAL SHEETS: 17

8/17/2017 3:04:26 PM R:\noisewalls\420\_001\_U4751\_SML\_NW\_001\_640000.dgn

DRAWN BY: MBC DATE: 5-17  
 CHECKED BY: NML DATE: 5-17  
 DESIGN ENGINEER OF RECORD: J. DICHAK DATE: 5-17