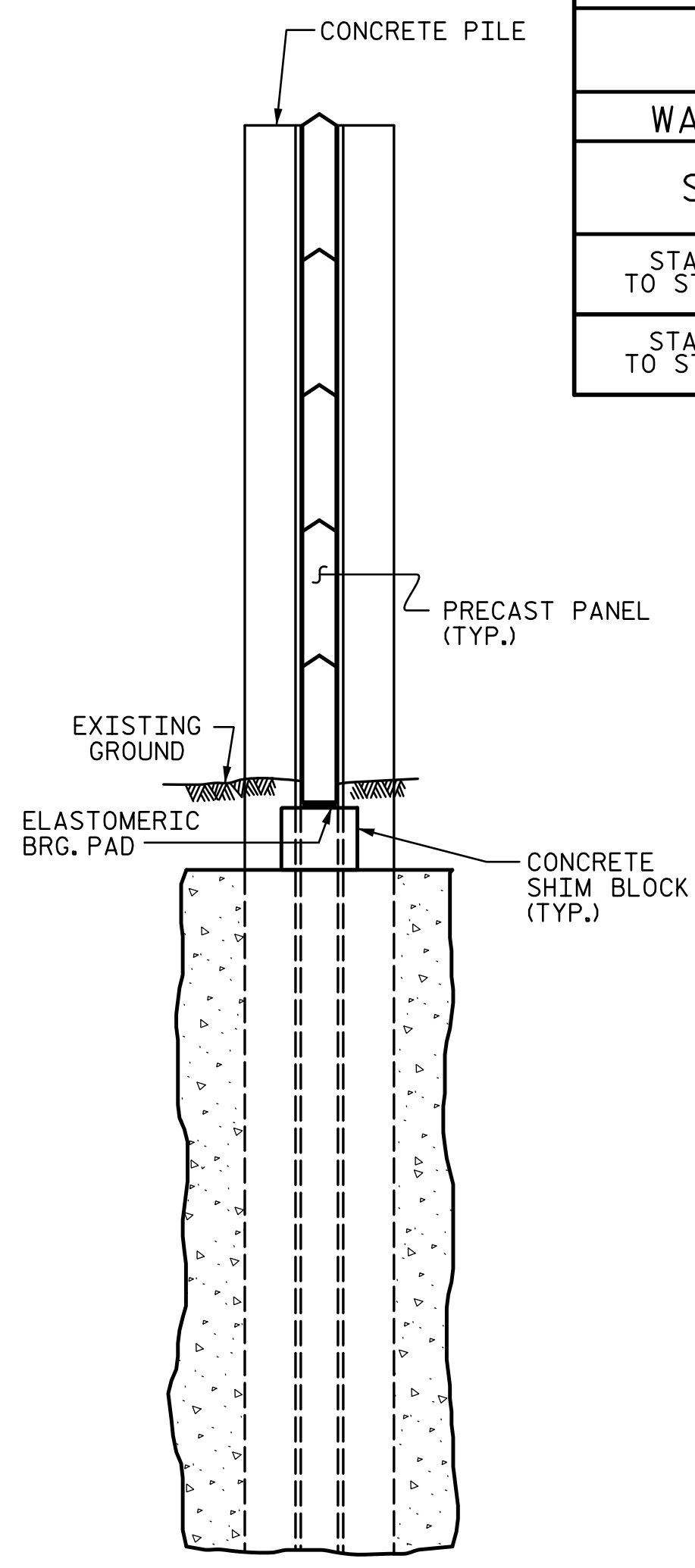


ELEVATION



SECTION A-A

PILE EXCAVATION DEPTHS "D"			
3'-0" Ø HOLE			
WALL -NW1A- (STA. 10+00 TO 14+40 -NW1A-)			
STATION	MAX WALL HEIGHT	PILE SPACING	SHAFT DEPTH
STA. 12+44.93 -L- TO STA. 16+64.93 -L-	11'-0"	15'-0"	13'-0"
STA. 16+74.93 -L- TO STA. 16+84.93 -L-	8'-0"	10'-0"	11'-0"

NOTES:

- FOR SOUND BARRIER WALL, SEE SPECIAL PROVISIONS.
- CONSTRUCT SOUND BARRIER WALL TO LINES AND GRADES SHOWN ON THE ROADWAY PLANS.
- PROVIDE PANELS WITH A FLAT BOTTOM.
- VERIFY THE LOCATION OF UNDERGROUND UTILITIES BEFORE DRILLING HOLES TO ENSURE SUFFICIENT CLEARANCE IS AVAILABLE.
- ADJUST PILE EXCAVATION ELEVATIONS TO MAINTAIN 6" MINIMUM EMBEDMENT OF THE BOTTOM PANEL.
- USE CLASS AA FOR PANELS AND CLASS A CONCRETE PILE EXCAVATION BACKFILL, IN ACCORDANCE WITH ARTICLE 1000-4 OF THE STANDARD SPECIFICATIONS.
- FOR SOUND BARRIER WALL STATIONS, OFFSETS, AND WALL ENVELOPE, SEE ROADWAY PLANS.
- PLACE 1" Ø BACKER RODS FULL HEIGHT ON EACH SIDE OF THE PRECAST PANELS, SET AND SEAL THE BACKER ROD IN PLACE WITH SEALANT THAT CONFORMS WITH ARTICLE 1028-3 OF THE STANDARD SPECIFICATIONS.
- FOR SUBMITTAL OF WORKING DRAWINGS, SEE SPECIAL PROVISIONS.
- FOR FALSEWORK AND FORMWORK, SEE SPECIAL PROVISIONS.
- FOR ELASTOMERIC BEARING DETAILS, SEE "SOUND BARRIER WALL DETAILS" SHEET 1 OF 3.
- FOR CONCRETE SHIM BLOCK DETAILS, SEE "SOUND BARRIER WALL DETAILS" SHEET 1 OF 3.
- FOR PRECAST PANEL DETAILS, SEE "SOUND BARRIER WALL DETAILS" SHEET 1 OF 3.
- FOR CONCRETE PILE DETAILS, SEE "SOUND BARRIER WALL DETAILS" SHEETS 1 & 2 OF 3.
- AT THE CONTRACTOR'S OPTION, USE CONTINUOUS FLIGHT AUGER PILES IN LIEU OF PILE EXCAVATION FOR SOUND BARRIER WALL FOUNDATION. SEE "CONTINUOUS FLIGHT AUGER PILES FOR SOUND BARRIER WALLS" SPECIAL PROVISION.
- THE ARCHITECTURAL CONCRETE SURFACE TREATMENT SHALL MATCH THE APPEARANCE (STONE SIZE AND SHAPE, STONE TEXTURE, PATTERN AND RELIEF) OF NATURAL STONE TO RESEMBLE A DRY STACKED STONE PATTERN WITH FEDERAL STANDARD 595 COLOR * FS30450 STAIN.

**EXPOSURE CATEGORY D
PILE REINFORCING STEEL**

DESIGN WIND PRESSURE = 62 PSF (0' < H ≤ 14'); 71 PSF (14' < H ≤ 25')

PILE TYPE I			
PILE SPACING	MAXIMUM WALL HEIGHT (H)	VERTICAL REINFORCING STEEL	TIES
10'-0"	H ≤ 15'	4 - #8 EA. FACE	#3 @ 11" CTS.
15'-0"	H ≤ 15'	4 - #8 EA. FACE	#3 @ 11" CTS.

PILE TYPE II			
PILE SPACING	MAXIMUM WALL HEIGHT (H)	VERTICAL REINFORCING STEEL	TIES
10'-0"	H ≤ 15'	4 - #6 EA. FACE	#3 @ 11" CTS.
15'-0"	H ≤ 15'	4 - #6 EA. FACE	#3 @ 11" CTS.

BILL OF MATERIAL -NW1A-

SOUND BARRIER WALL	S.F. 4,345
ARCHITECTURAL SURFACE TREATMENT	S.F. 6,994
QUANTITIES PROVIDED ARE APPROXIMATE AND ARE FOR BID PURPOSES ONLY.	

△ REVISED ARCHITECTURAL SURFACE TREATMENT QUANTITY

PROJECT NO. U-4751
NEW HANOVER COUNTY
 STATION: 12+44.93 -L- = 10+00.00 -NW1A-

DOCUMENT NOT CONSIDERED FINAL UNLESS ALL SIGNATURES COMPLETED

STATE OF NORTH CAROLINA
 DEPARTMENT OF TRANSPORTATION
 RALEIGH

**SOUND BARRIER WALL
 NO. -NW1A-**

REVISIONS					
NO.	BY:	DATE:	NO.	BY:	DATE:
1	STV	10-17	3		
2			4		

SHEET NO.
NW-1
TOTAL SHEETS
17

DRAWN BY: MBC DATE: 5-17 DESIGN ENGINEER OF RECORD: J. DICHAK DATE: 5-17
 CHECKED BY: NML DATE: 5-17

R:\No\seawalls\NW 1A\420_00\L475_SMU_NW_001_64001A.dgn 10/10/2017 3:39:19 PM