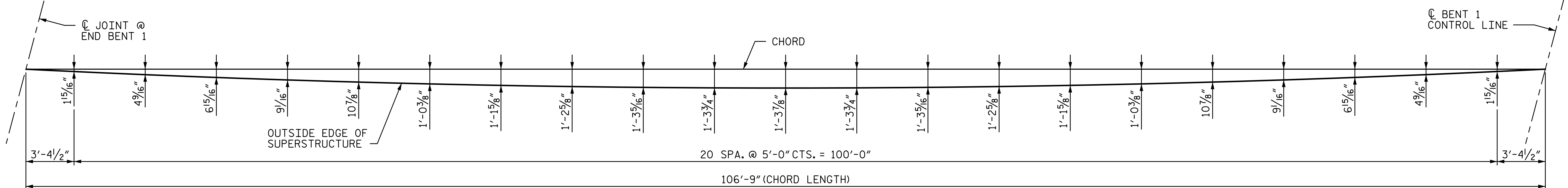
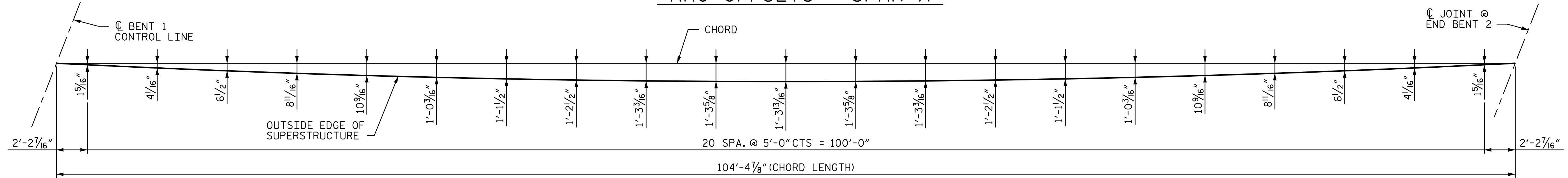


LEFT SIDE

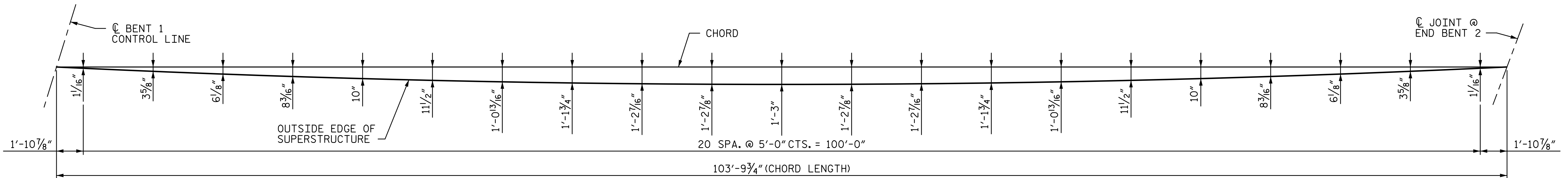


RIGHT SIDE

ARC OFFSETS - SPAN A



LEFT SIDE



RIGHT SIDE

ARC OFFSETS - SPAN B

PROJECT NO. U-4751  
NEW HANOVER COUNTY  
 STATION: 35+12.05 -Y8RPDB-

r:\404\_021\_U4751\_SML\_OIL\_640204.dgn  
 6/30/2017 13:10:05  
 +townsend

DRAWN BY : MBC DATE : 2-17  
 CHECKED BY : TRL DATE : 4-17  
 DESIGN ENGINEER OF RECORD: T. LAWS DATE : 5-17

DOCUMENT NOT CONSIDERED FINAL  
 UNLESS ALL SIGNATURES COMPLETED

STATE OF NORTH CAROLINA  
 DEPARTMENT OF TRANSPORTATION  
 RALEIGH  
**SUPERSTRUCTURE**  
**ARC OFFSETS**

REVISIONS						SHEET NO. S4-11
NO.	BY:	DATE:	NO.	BY:	DATE:	
1			3			TOTAL SHEETS 36
2			4			

**STV** 100 years  
 STV ENGINEERS, INC.  
 900 West Trade St., Suite 715  
 Charlotte, NC 28202  
 NC License Number F-5991