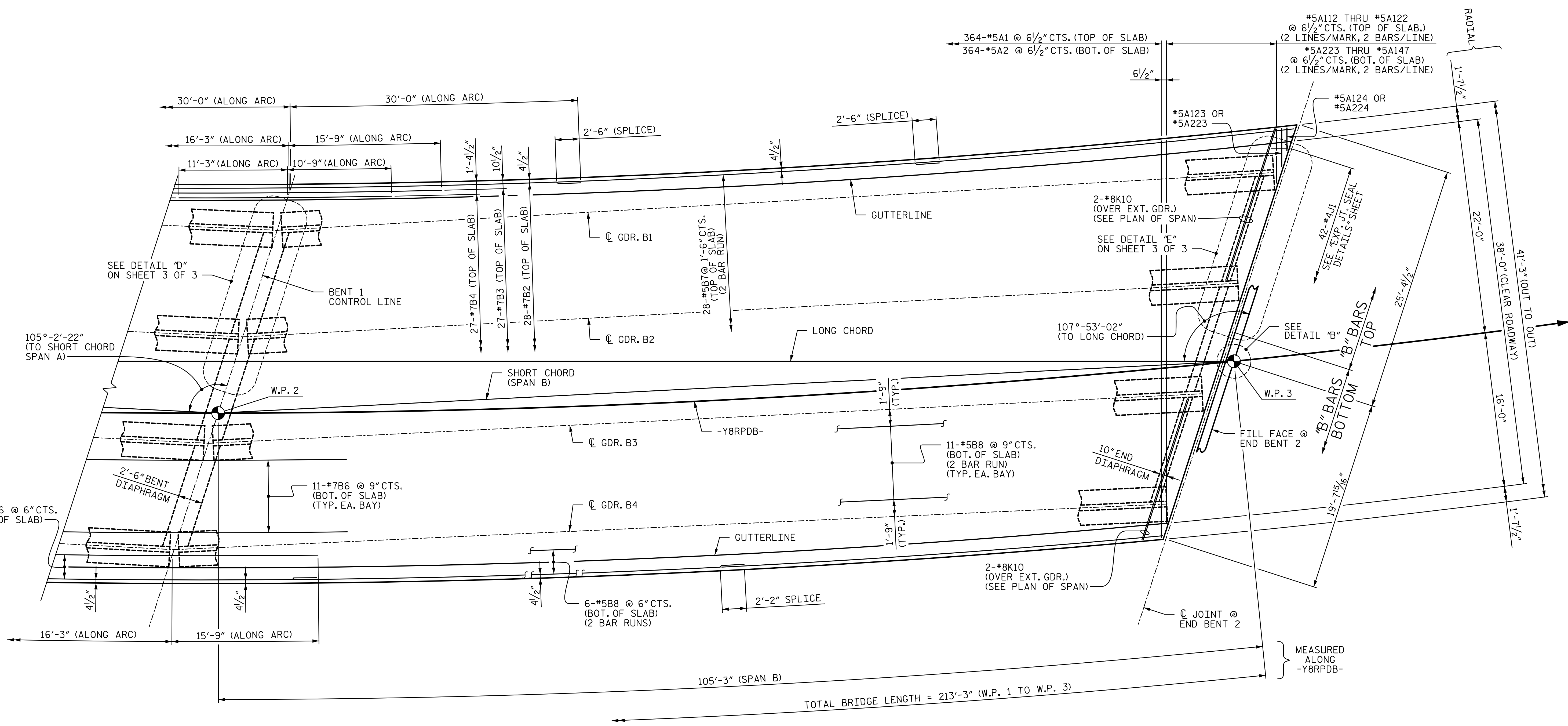
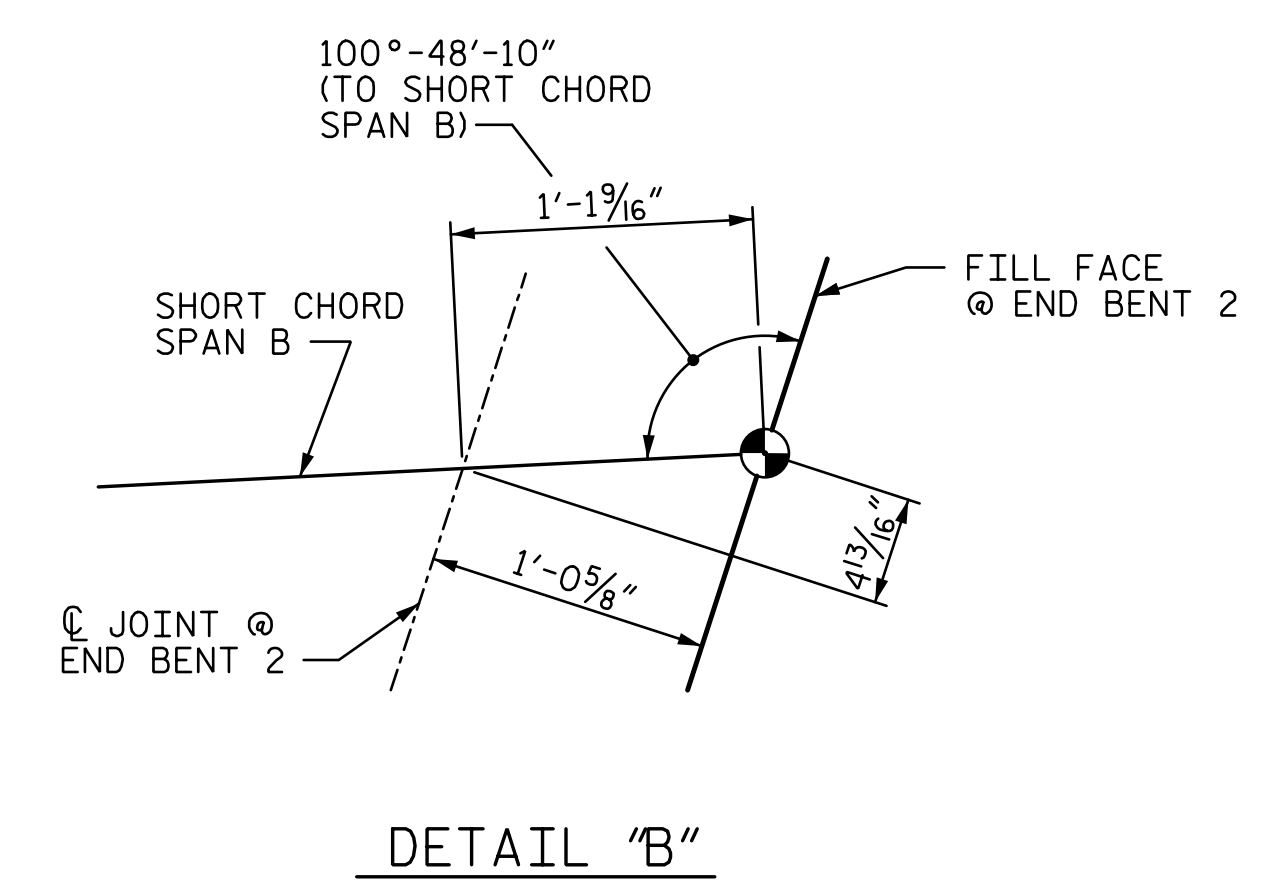


r:\404_017_U4751_SML_S01_009_640204.dgn
6/30/2017 13:09:57
townsend



PLAN OF SPAN
("A" BARS ARE PLACED PERPENDICULAR TO LONG CHORD)

NOTES:
1. FOR NOTES, SEE SHEET 1 OF 3.



PROJECT NO. U-4751
NEW HANOVER COUNTY
STATION: 35+12.05 -Y8RPDB-
SHEET 2 OF 3

DOCUMENT NOT CONSIDERED FINAL UNLESS ALL SIGNATURES COMPLETED			STATE OF NORTH CAROLINA DEPARTMENT OF TRANSPORTATION RALEIGH SUPERSTRUCTURE PLAN OF SPAN SPAN B		SHEET NO. S4-9 TOTAL SHEETS 36	
	REVISIONS					
	NO.	BY:	DATE:	NO.		BY:
1			3			
2			4			

DRAWN BY : <u>MBC</u>	DATE : <u>3-17</u>	DESIGN ENGINEER OF RECORD : <u>T. LAWS</u>	DATE : <u>5-17</u>
CHECKED BY : <u>TRL</u>	DATE : <u>4-17</u>		