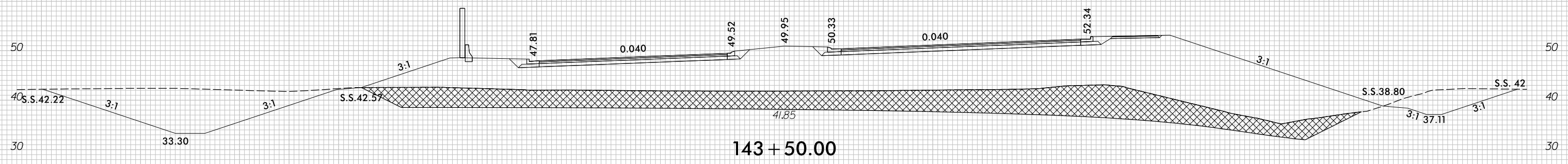


8/23/99

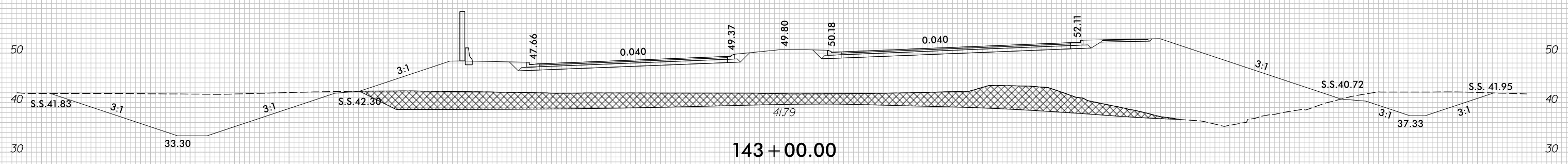


PROJ. REFERENCE NO.	SHEET NO.
U-4751	X-63

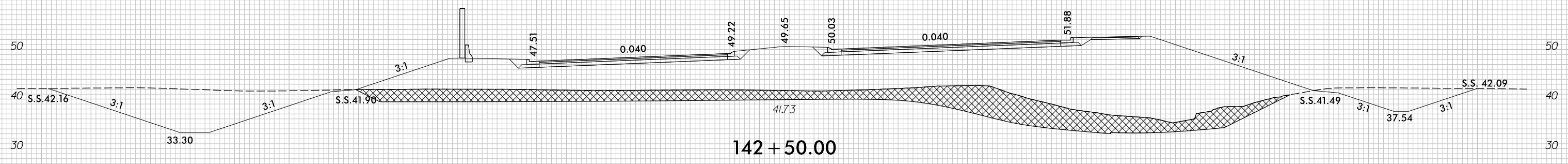
150 140 130 120 110 100 90 80 70 60 50 40 30 20 10 0 10 20 30 40 50 60 70 80 90 100 110 120 130 140 150



143 + 50.00

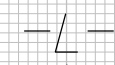


143 + 00.00



142 + 50.00

UNDERCUT EXCAVATION



150 140 130 120 110 100 90 80 70 60 50 40 30 20 10 0 10 20 30 40 50 60 70 80 90 100 110 120 130 140 150

7/5/2017  
r:\Roadway\XSC\U4751\_Rdu\_xPL\_L1.dgn  
cproves