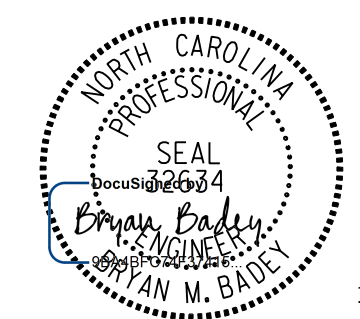
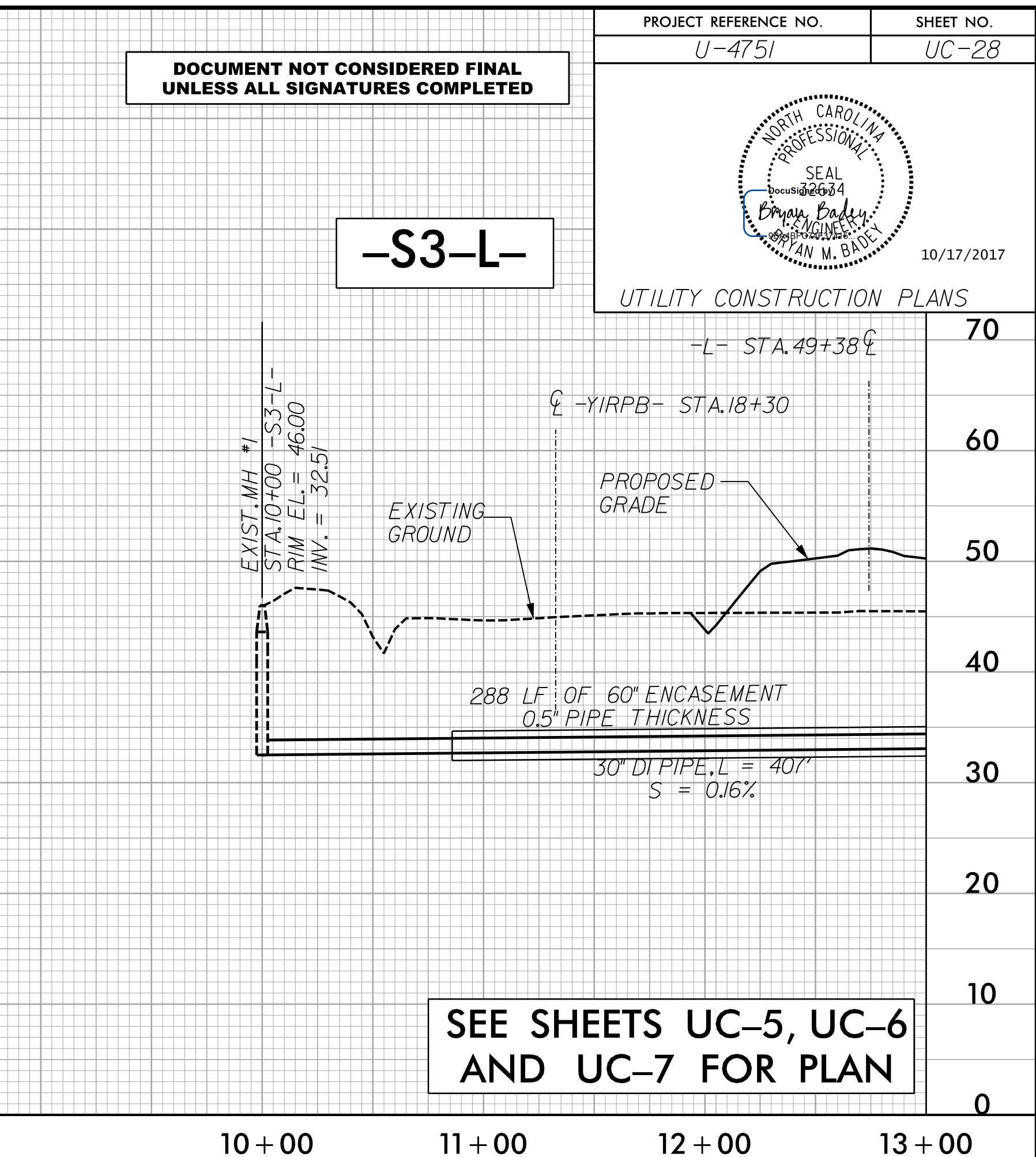
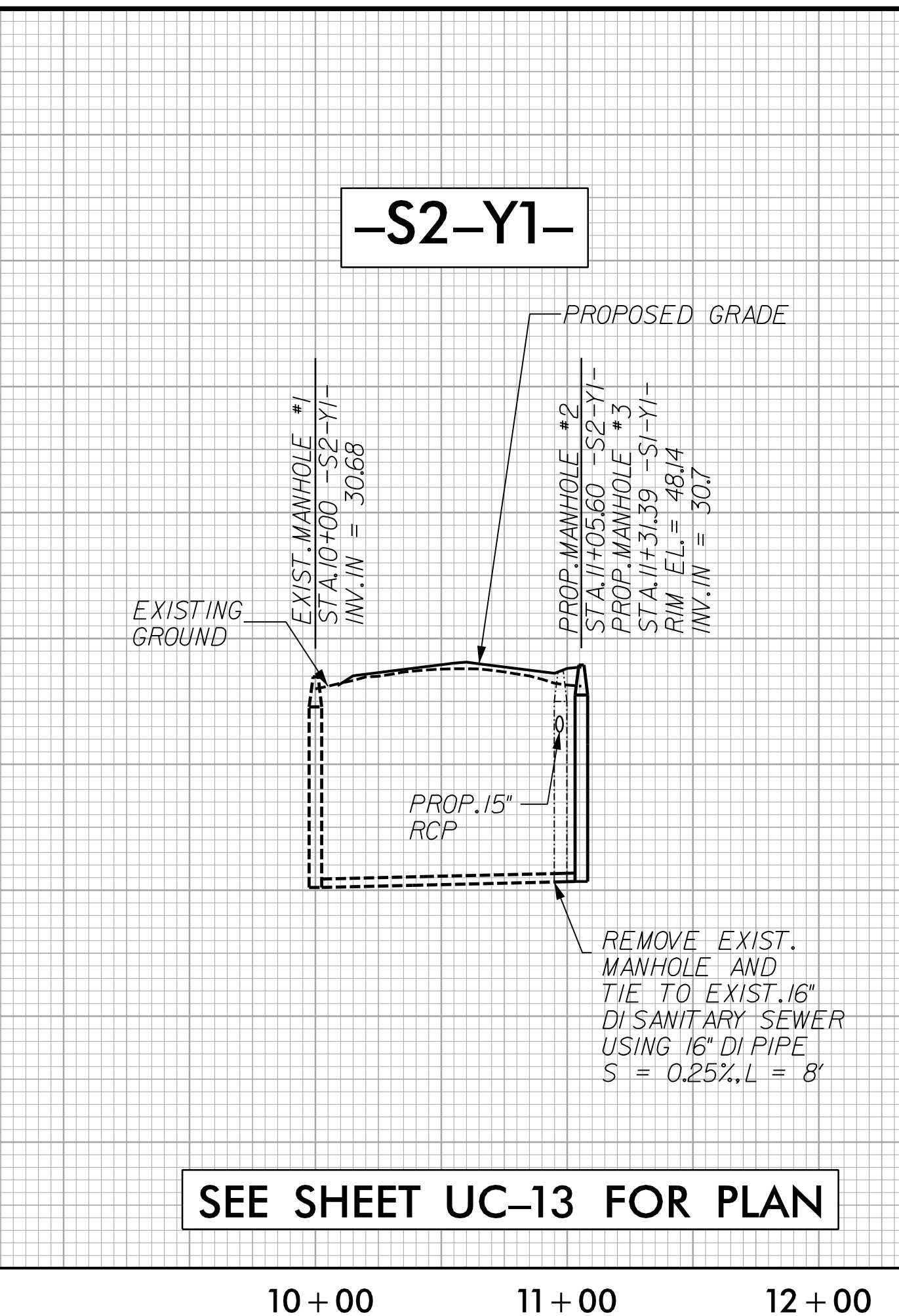
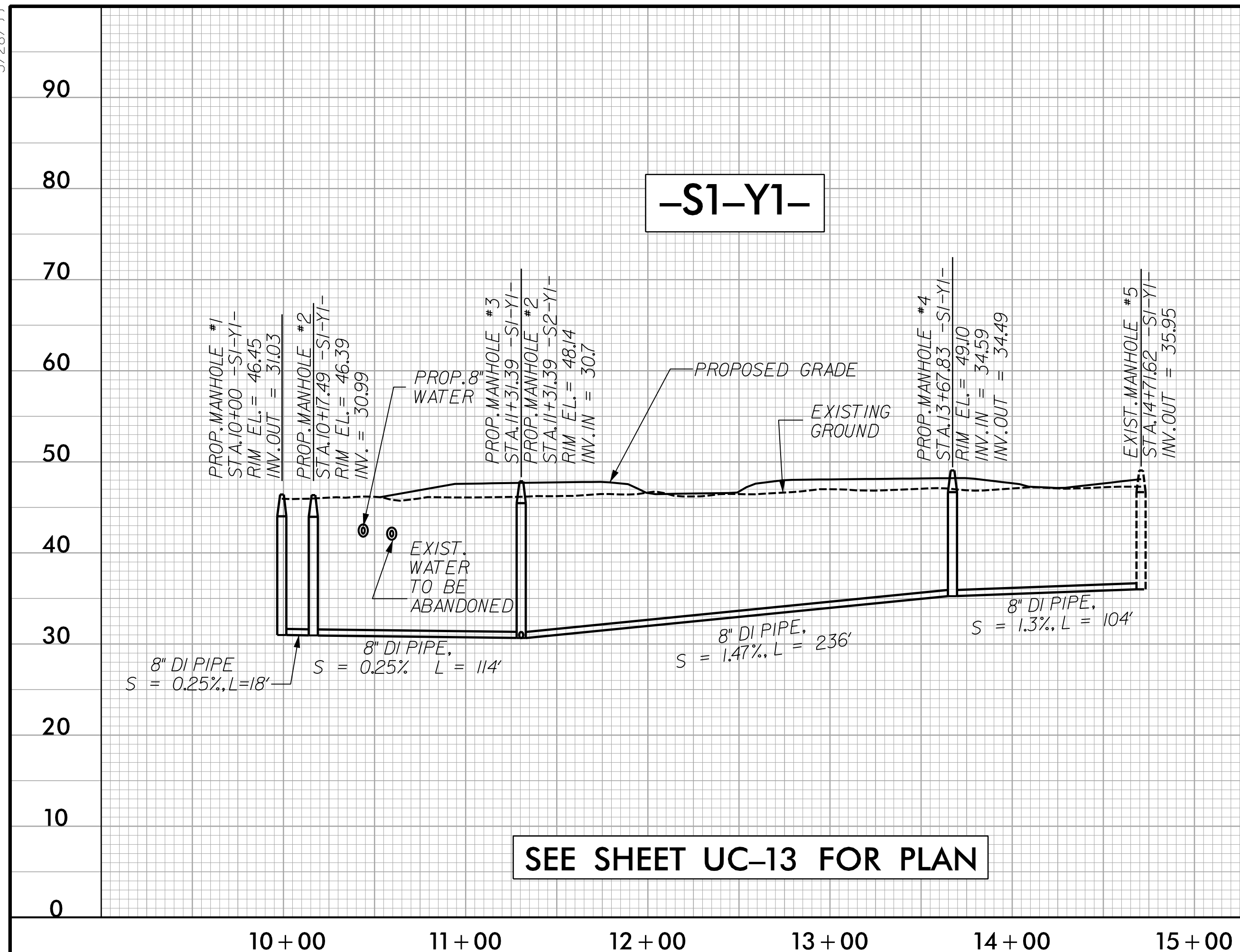


5/28/2017

DOCUMENT NOT CONSIDERED FINAL  
UNLESS ALL SIGNATURES COMPLETED

PROJECT REFERENCE NO. U-4751	SHEET NO. UC-28
---------------------------------	--------------------

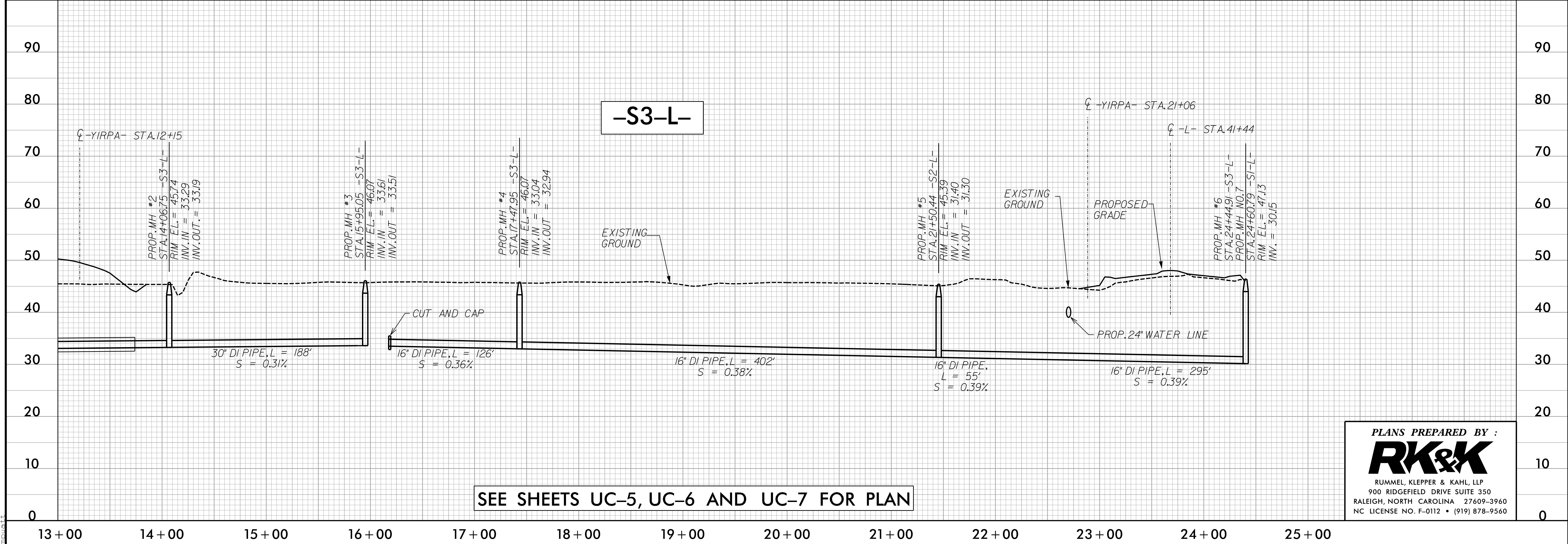
  
 10/17/2017  
 UTILITY CONSTRUCTION PLANS



SEE SHEET UC-13 FOR PLAN

SEE SHEET UC-13 FOR PLAN

SEE SHEETS UC-5, UC-6  
AND UC-7 FOR PLAN



SEE SHEETS UC-5, UC-6 AND UC-7 FOR PLAN

PLANS PREPARED BY :



RUMMEL, KLEPPER & KAHL, LLP  
 900 RIDGEFIELD DRIVE SUITE 350  
 RALEIGH, NORTH CAROLINA 27609-3960  
 NC LICENSE NO. F-0112 • (919) 878-9560

I:\Projects\2017\Projects\Redevelopment\Utility Construction\U4751-Ut\_UC\_PEL\_29.dgn