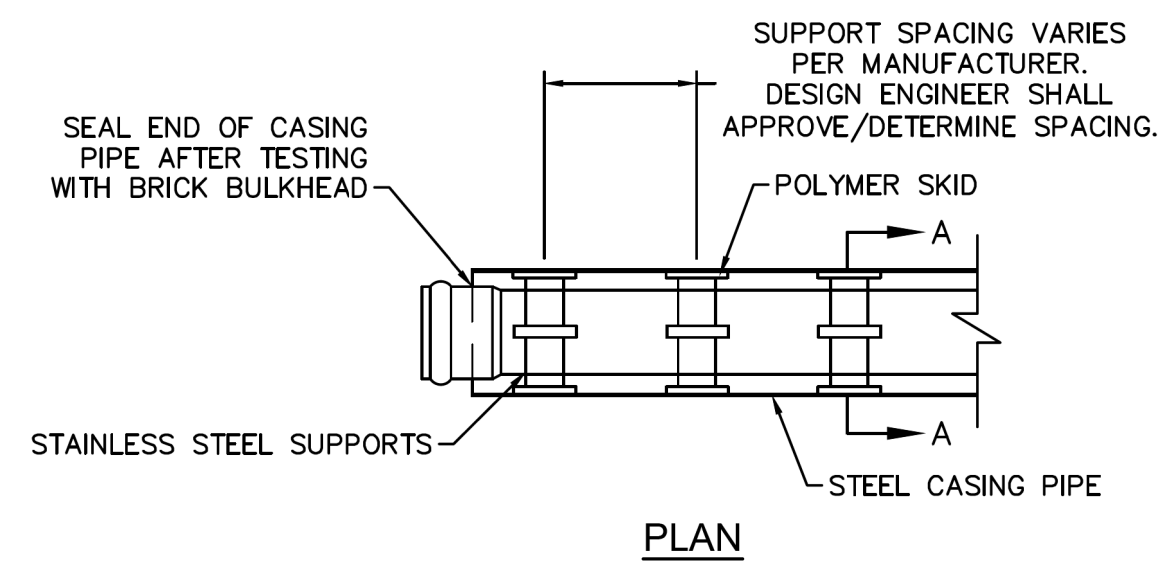
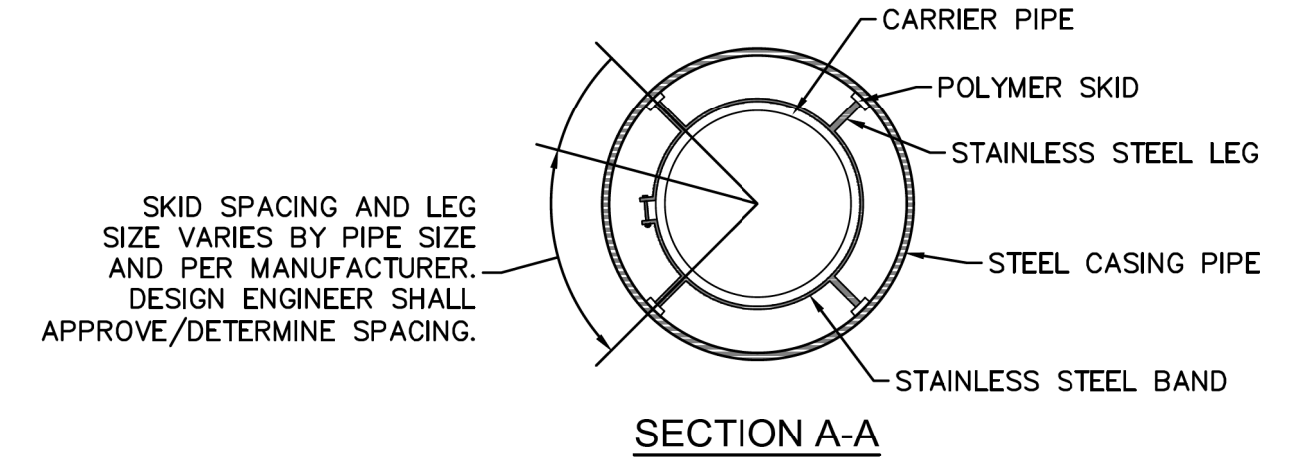


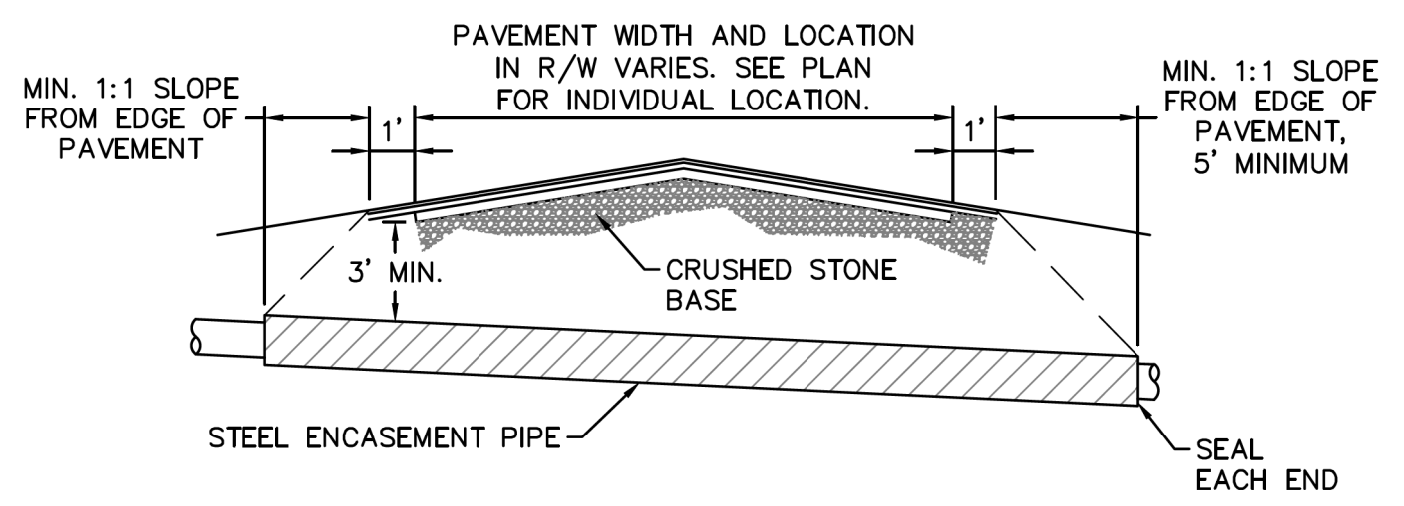
UTILITY CONSTRUCTION PLANS
DOCUMENT NOT CONSIDERED FINAL
UNLESS ALL SIGNATURES COMPLETED



NOTE: PIPE SUPPORT TO BE PLACED TO PROVIDE PROPER SUPPORT, ALIGNMENT, AND GRADE AS SPECIFIED. CONTINUOUS SUPPORTS MAY BE USED AS ALTERNATIVE. OIL, GREASE, OR PETROLEUM PRODUCT MAY NOT BE USED AS LUBRICANT.

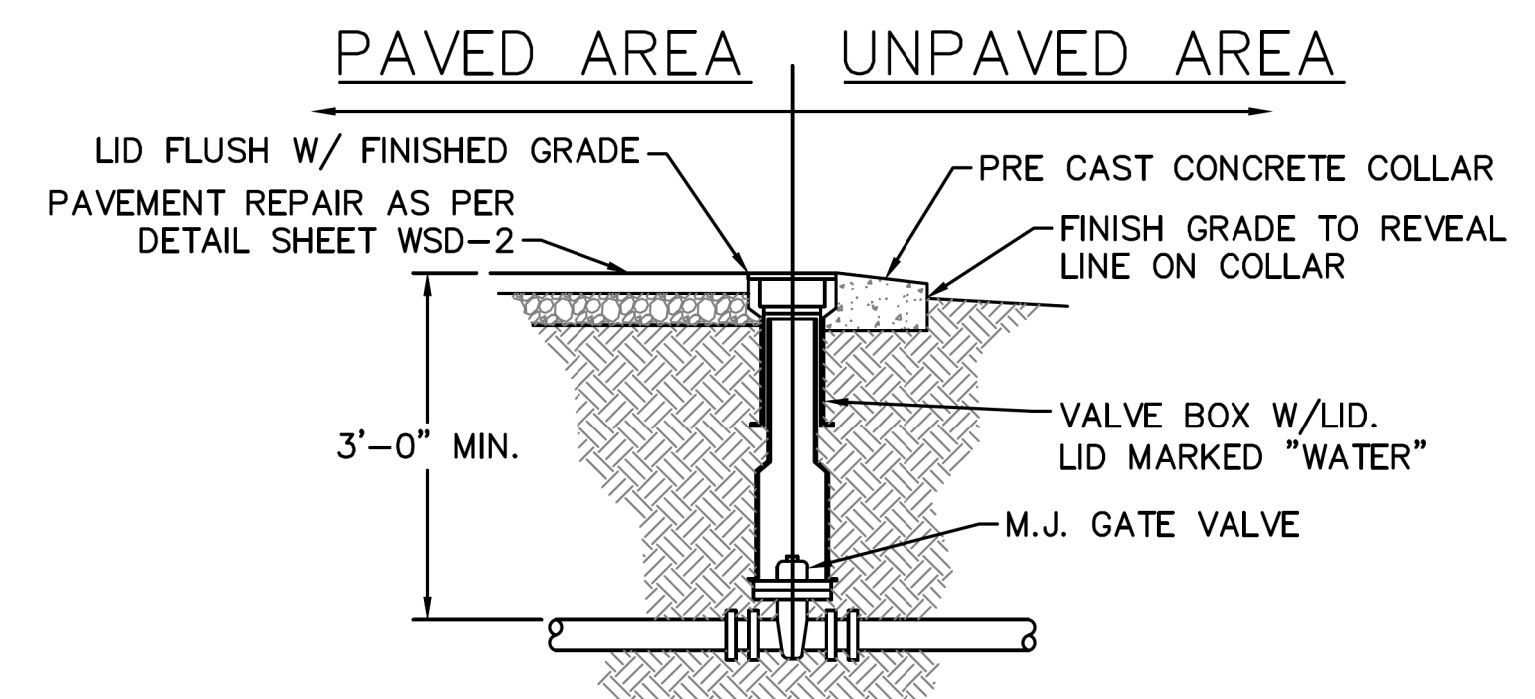


PIPE CASING SUPPORT DETAIL
 WD-15 NOT TO SCALE

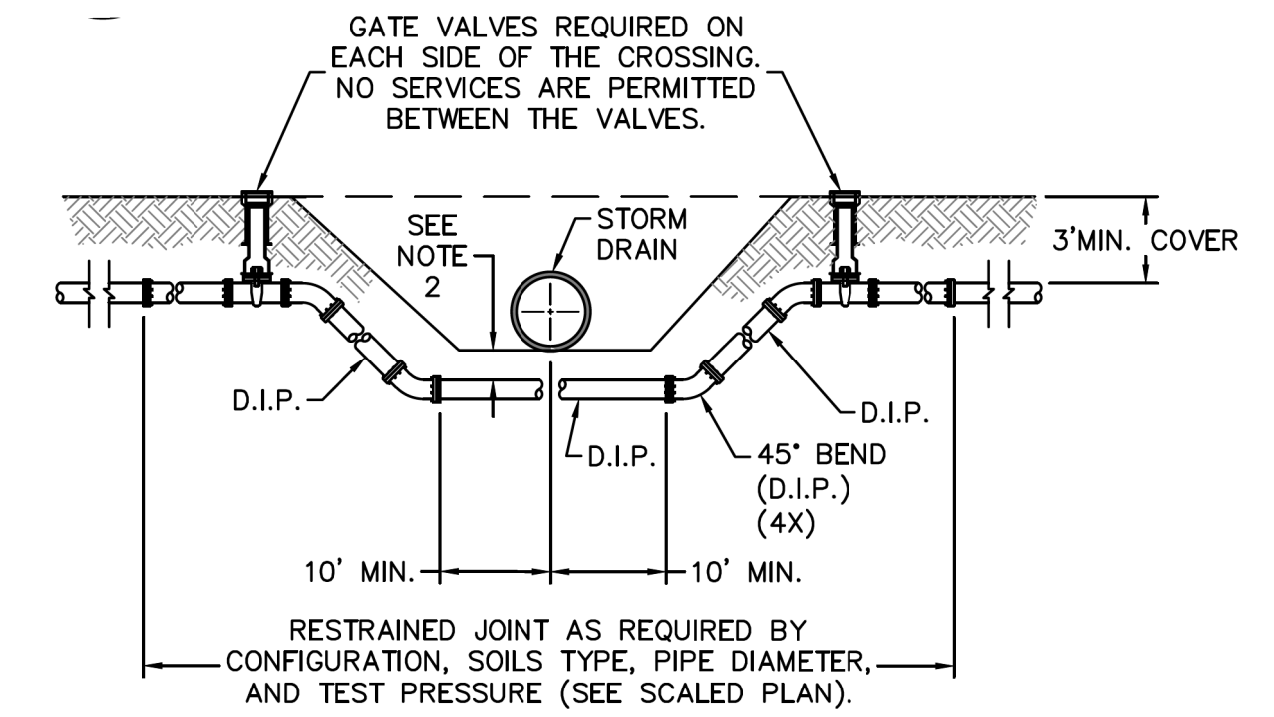


NOTES:
 1. CASING WILL BE INSTALLED AT LINE AND GRADE SHOWN ON INDIVIDUAL PROFILE FOR EACH CROSSING. BORING/JACKING TO LINE AND GRADE IS REQUIRED.
 2. TRACER WIRE SHALL BE CONTINUED THROUGH CASING.

TYPICAL BORING/JACKING DETAIL
 WD-16 NOT TO SCALE



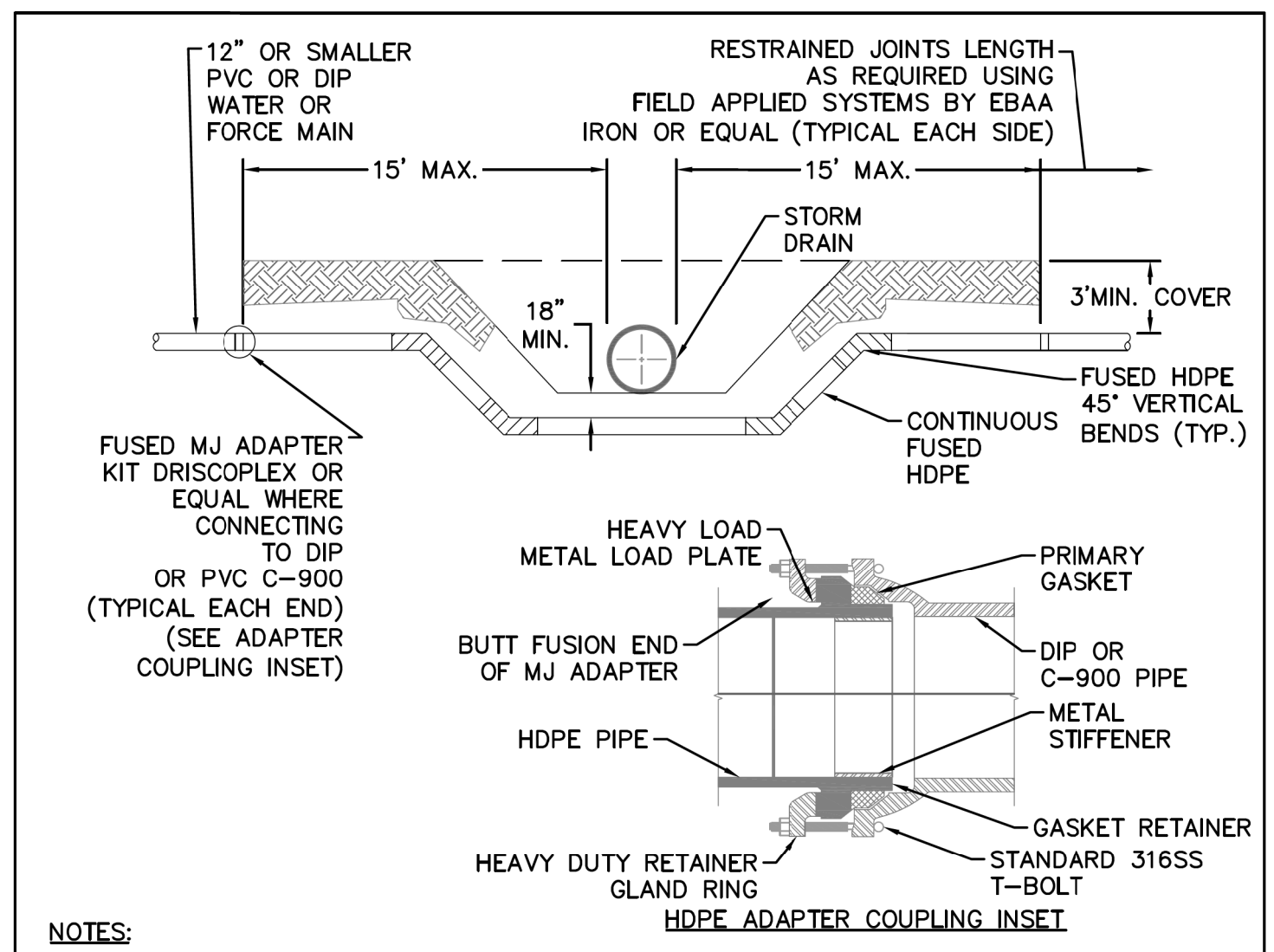
VALVE DETAIL
 WD-3 NOT TO SCALE



NOTES:
 1. USE PRESSURE CLASS 350 DIP, UNLESS SPECIFIED OTHERWISE.
 2. MINIMUM DEPTH REQUIRED, UNLESS SPECIFIED OTHERWISE BY CFPUA:
 a. IN DOT R/W, 36" MIN. TYPICAL, OR 24" MIN. WHEN CROSSING A DITCH LINE.
 b. ALL OTHER LOCATIONS, 30" MIN.
 c. WHEN STORM DRAIN INVERT IS BURIED AT OR BELOW ABOVE DEPTHS, 18" MIN. CLEARANCE IS REQUIRED.

WATER MAIN DITCH AND STORM DRAIN CROSSING
 WD-2 NOT TO SCALE

BELOW IS THE ALTERNATE INSTALLATION METHOD PROVIDED FOR WATERMAIN AND STORM DRAINAGE CROSSINGS TO BE DECIDED BY CONTRACTOR



NOTES:
 1. MAY BE USED AS AN ALTERNATIVE TO CFPUA STANDARD DETAIL WD-2/SD-18 (STORM CROSSING) WITH APPROVAL BY CFPUA. SHALL NOT BE USED FOR DITCH CROSSINGS.
 2. NO SERVICE CONNECTIONS, VALVES, TEES, ADDITIONAL FITTINGS OR APPURTENANCES SHALL BE INSTALLED ON HDPE.
 3. 45° VERTICAL BENDS MAY BE ELIMINATED IF OFFSET CAN BE ACHIEVED BY DEFLECTING PIPE WITHIN MANUFACTURER'S MAXIMUM BENDING RADIUS.
 4. HDPE SHALL BE A MINIMUM OF DR-11 (200 PSI), DIPS, PE 4710, BLUE POTABLE WATER MAINS AND GREEN SEWER FORCE MAINS. INSTALLATIONS IN PUBLIC RIGHT-OF-WAY ARE SUBJECT TO NC DOT REQUIREMENTS, WHICH MAY INCLUDE USE OF DR-9 HDPE.
 5. 45° VERTICAL BENDS MAY BE FUSED BY SUPPLIER PRIOR TO DELIVERY TO SITE. IF THE ASSEMBLY IS FUSED ONSITE, IT MUST BE PRESSURE TESTED.

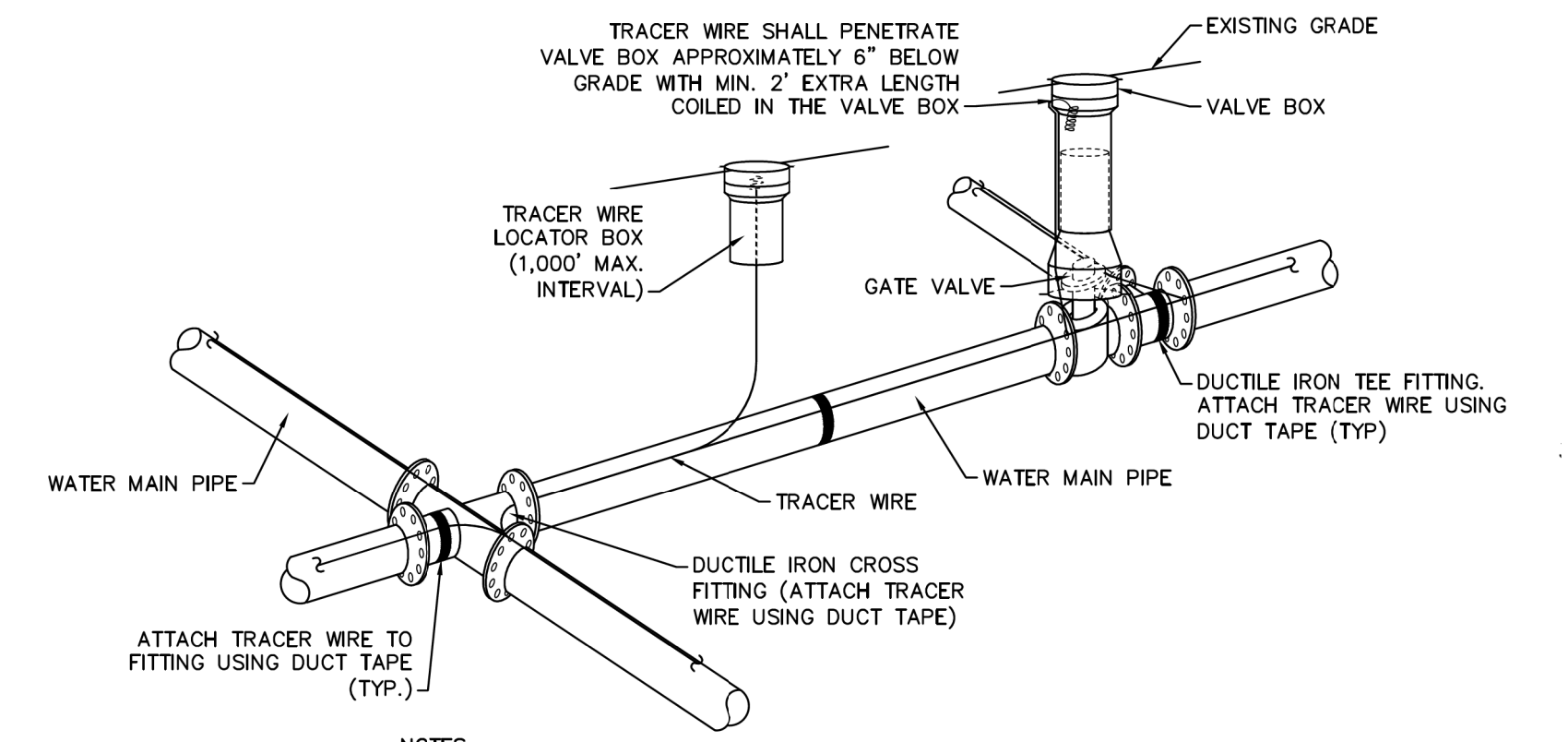
IF NO REVISION IS SHOWN, THIS DETAIL REMAINS AS ORIGINALLY PROVIDED BY CFPUA.

REV:	DESCRIPTION:	DATE:

DETAIL: STORM DRAIN CROSSING USING HDPE PIPE SCALE: NOT TO SCALE CFPUA REV. No: 1 08/17/17	CAPE FEAR PUBLIC UTILITY AUTHORITY 235 GOVERNMENT CENTER DRIVE WILMINGTON, NC 28403 OFFICE: (910)332-6560 Stewardship. Sustainability. Service.	DETAIL NO: SD-26 SHEET NO: SSD-3
--	---	---

GENERAL NOTES:
 1. NO EXCAVATED MATERIAL SHALL BE PLACED IN ANY STREAM, DITCH OR DRAINAGE-WAY.
 2. THE CONTRACTOR IS RESPONSIBLE FOR LOCATING ALL UNDERGROUND UTILITIES BEFORE ANY CONSTRUCTION BEGINS.
 3. THE CONTRACTOR IS RESPONSIBLE FOR TEMPORARY SEDIMENT AND EROSION CONTROL MEASURES WHILE CONSTRUCTION IS IN PROGRESS.
 4. THE CONTRACTOR IS RESPONSIBLE FOR STABILIZATION OF ALL DISTURBED AREAS.
 5. THE CONTRACTOR IS RESPONSIBLE FOR LAY DOWN AND STOCKPILE AREAS (TO ARRANGE AND ENSURE COMPLIANCE WITH ALL LOCAL AND STATE REGULATIONS).

THE DETAILS SHOWN HEREON SUPERCEDE CFPUA WRITTEN TECHNICAL SPECIFICATIONS VERSIONS 1.00 - 1.04



NOTES:
 1. TRACER WIRE SHALL BE #10 COPPER SOLID CORE COPPER WIRE WITH GAS AND OIL RESISTANT INSULATION.
 2. WIRE SHALL BE STRAPPED TO ALL PVC WATER MAIN PIPING WITH DUCT TAPE AT 12 FOOT INTERVALS ALONG THE PIPE.
 3. SECURE WIRE TO ALL TEE AND CROSS FITTINGS WITH DUCT TAPE.
 4. ALL SPLICES IN THE WIRE SHALL BE MADE WITH 3M DBR DIRECT BURY SPLICE KIT AN UNDERGROUND RATED, WATERTIGHT, AND APPROVED SPLICE CONNECTOR OR APPROVED EQUAL.

TRACER WIRE DETAIL
 WD-17 NOT TO SCALE

CFPUA WATER DISTRIBUTION SYSTEM

STANDARD DETAILS

CAPE FEAR PUBLIC UTILITY AUTHORITY
 235 GOVERNMENT CENTER DRIVE
 WILMINGTON, NC 28403
 OFFICE: (910)332-6560
 Stewardship. Sustainability. Service.

PLANS PREPARED BY :
RK&K
 RUMMEL, KLEPPER & KAHL, LLP
 900 RIDGEFIELD DRIVE SUITE 350
 RALEIGH, NORTH CAROLINA 27609-3960
 NC LICENSE NO. F-0112 • (919) 878-9560