

**FRONT VIEW**

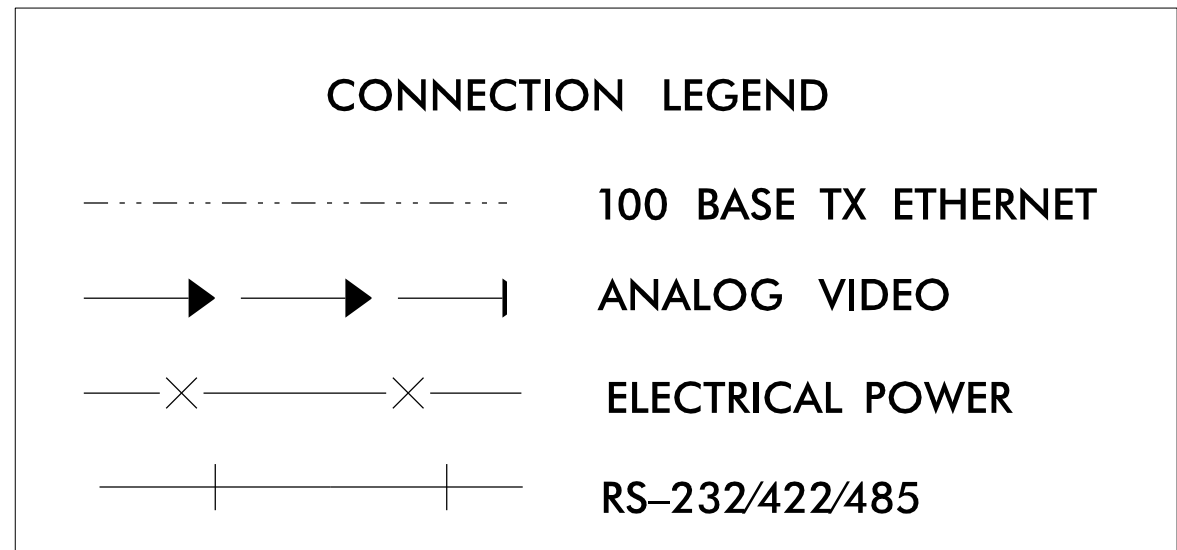
19" EIA RACK WITH TAPPED 10-32 THREADED HOLES

TVSS PROTECTED OUTLETS (2) FOR EQUIPMENT

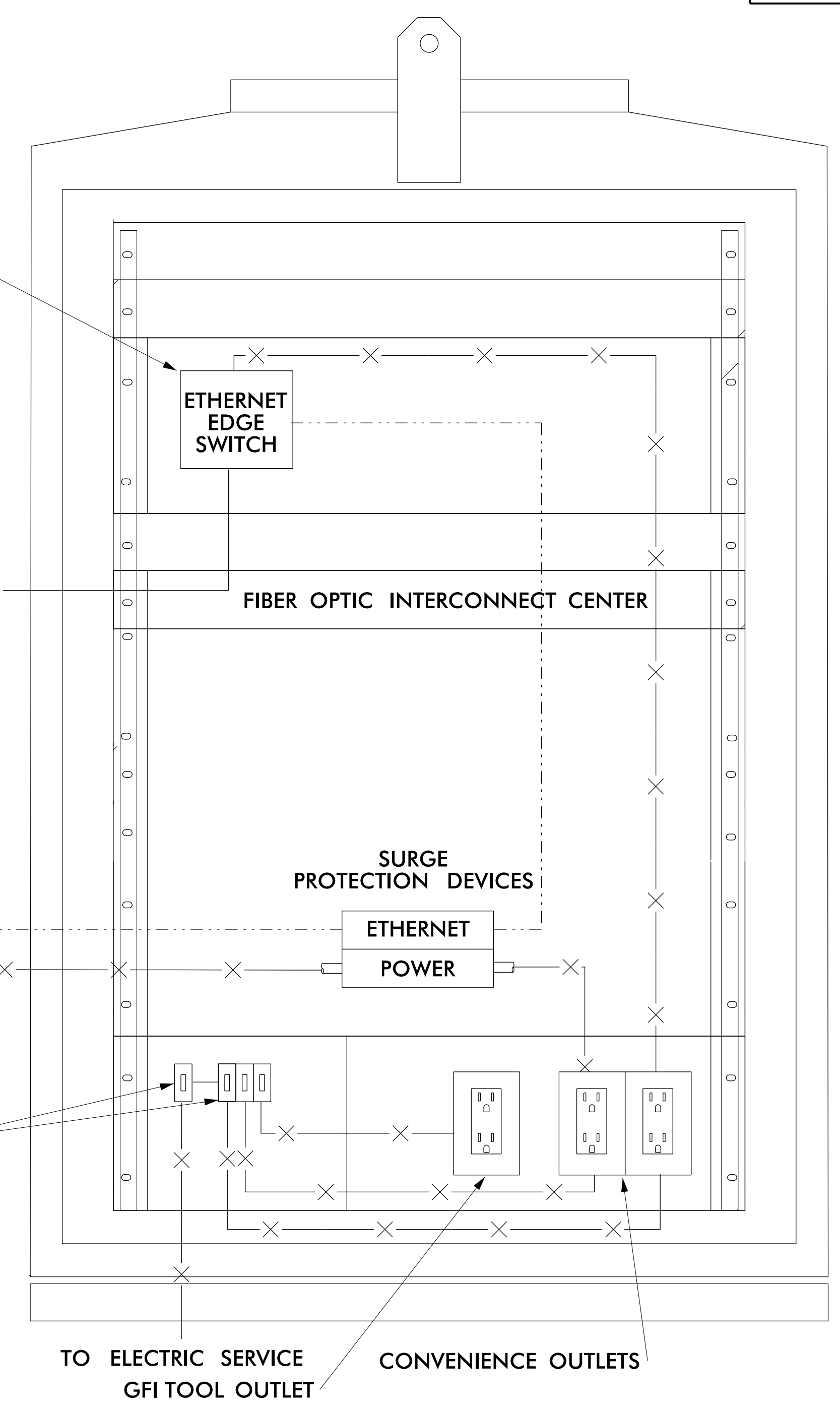
POWER DISTRIBUTION ASSEMBLY SERVICE ENTRANCE, BREAKER, PRIMARY AC POWER FILTER, TERMINAL BLOCKS, GROUND BUS BAR

COMPOSITE CABLE TO CCTV CAMERA

CIRCUIT BREAKERS



SEE NOTE 5



**CABINET WIRING VIEW**

**NOTES**

- ALL DIMENSIONS AND SCALE ARE APPROXIMATE.
- CABINETS WILL BE CALTRANS TYPE 336A
- CONDUIT ENTRANCES SHALL BE IN BOTTOM OF CABINET.
- THERE WILL BE FRONT AND REAR DOORS. BOTH DOORS SHALL HAVE THE HINGE-SIDE NEXT TO THE POLE WHEN POLE MOUNTED.
- INSTALL ETHERNET EDGE SWITCH WHEN SHOWN IN PLANS.

25-MAY-2017 15:19  
 0:J:\transpor101\cor\m\traff\cur\\*00053597 - U-4751 Military Cutoff\*03B-QR\*Special Details\*SCP 05.dgn  
 B:\0071500 - AT LUS353273

**ATKINS** 5600 SEVENTY-SEVEN CENTER DRIVE, SUITE 340  
 CHARLOTTE, NORTH CAROLINA 28217  
 704-522-7275 NGBEES #F-0326

	SR 1409 (Military Cutoff Road) CCTV Cabinet Assembly Layout		SEAL 
	Division 3 New Hanover County Wilmington	PLAN DATE: May 2017 REVIEWED BY: HA Badgett	
PREPARED BY: JA Wiles	REVIEWED BY: BJ Slocum		DATE: 6/6/2017 CADD Filename: SCP 05.dgn
REVISIONS	INIT.	DATE	
NTS	NTS		DATE

DOCUMENT NOT CONSIDERED FINAL UNLESS ALL SIGNATURES COMPLETED