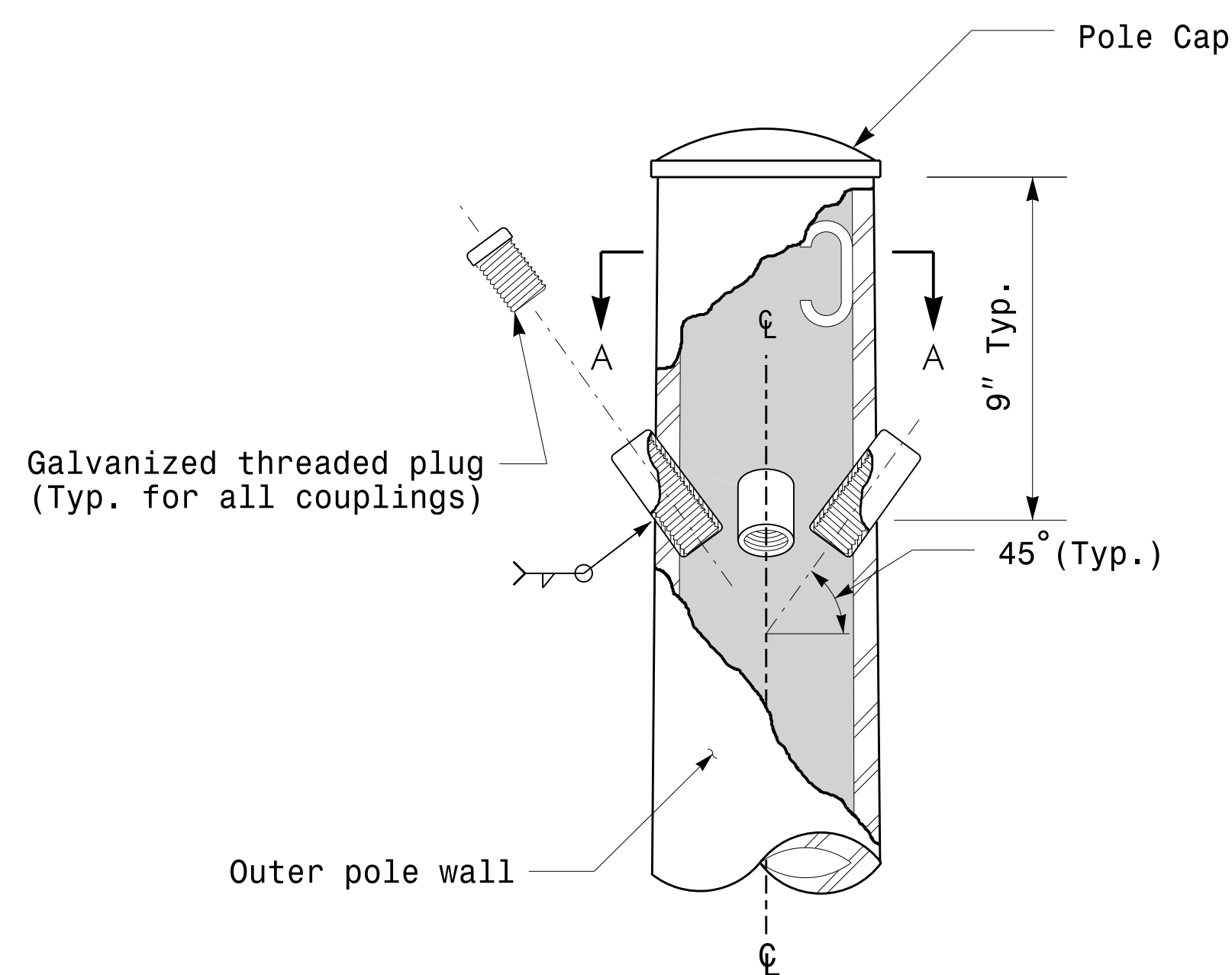
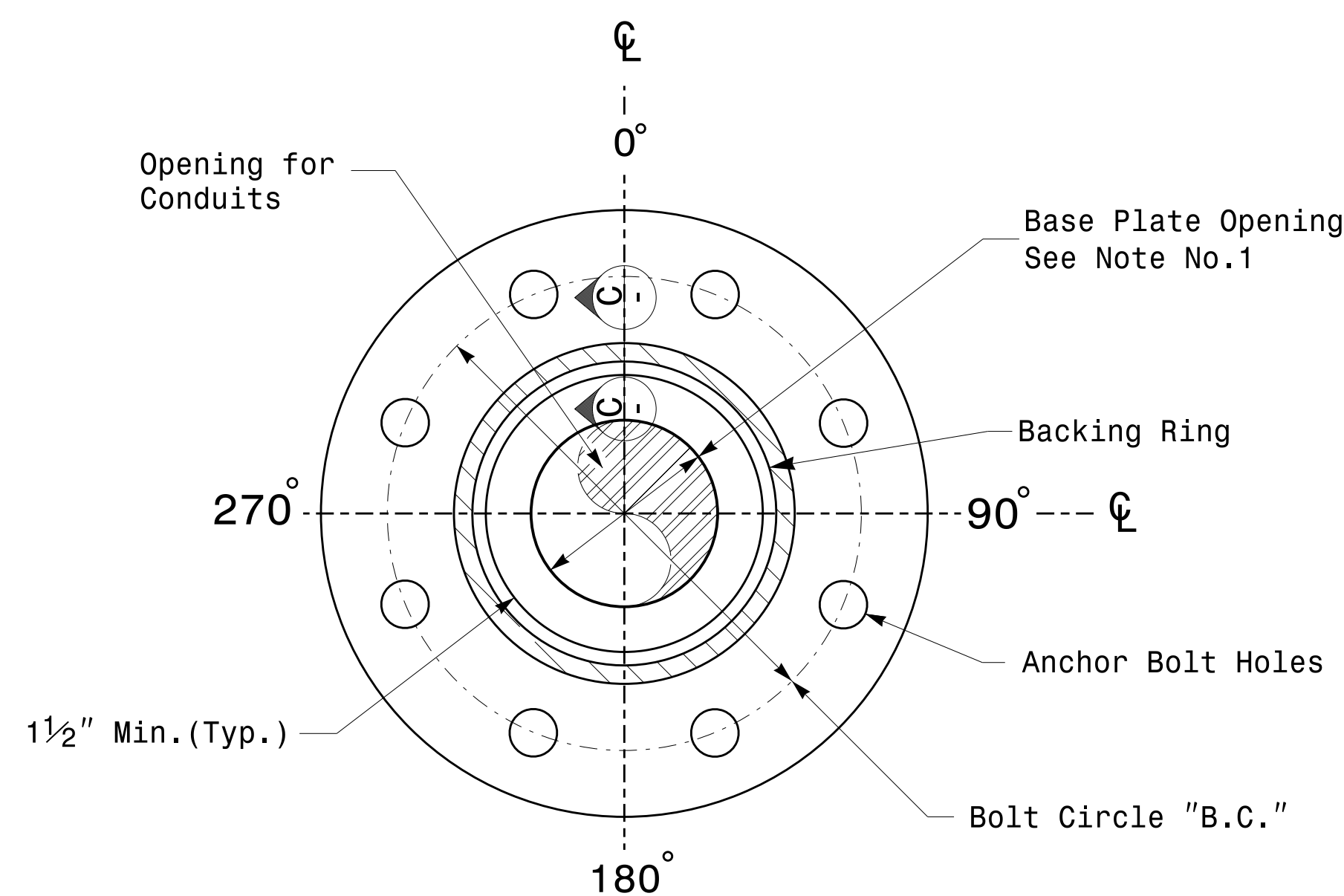


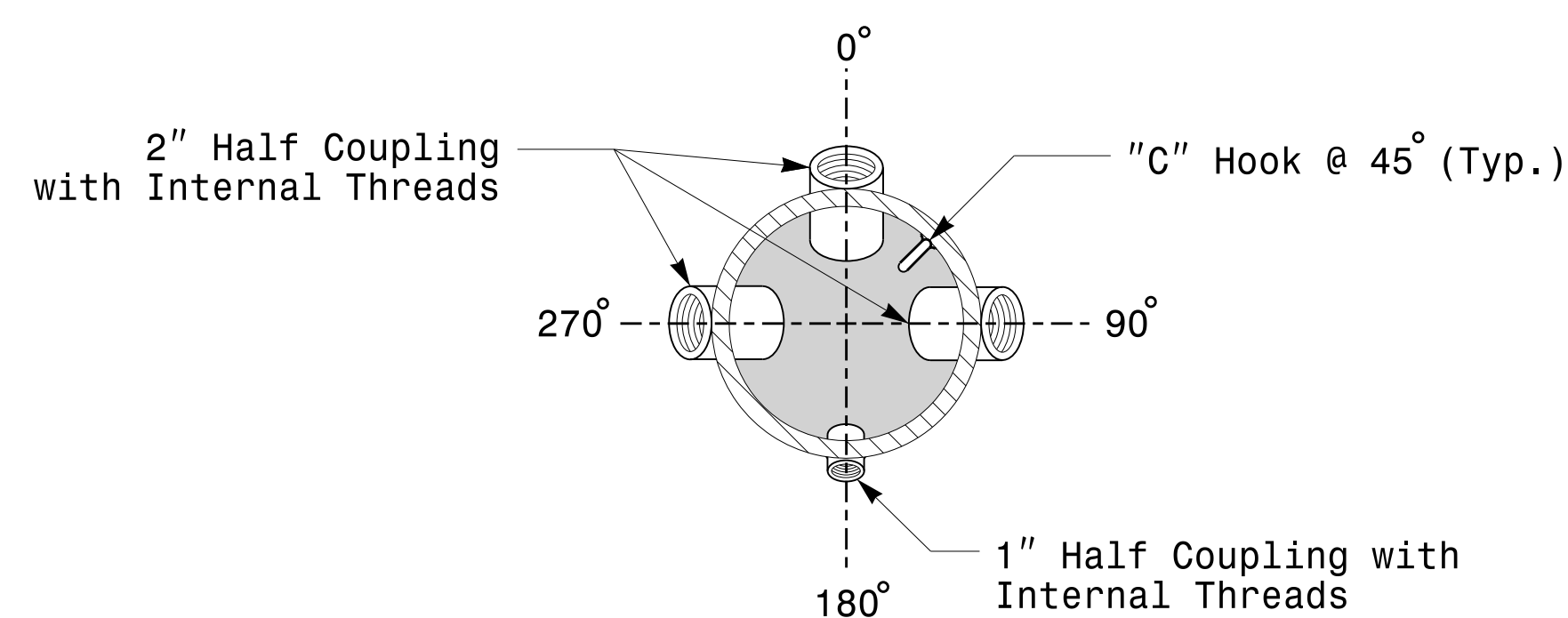
Note:
 1. Opening in pole base plate shall be equal to pole base inside diameter minus 3 1/2" but shall not be less than 8 1/2".



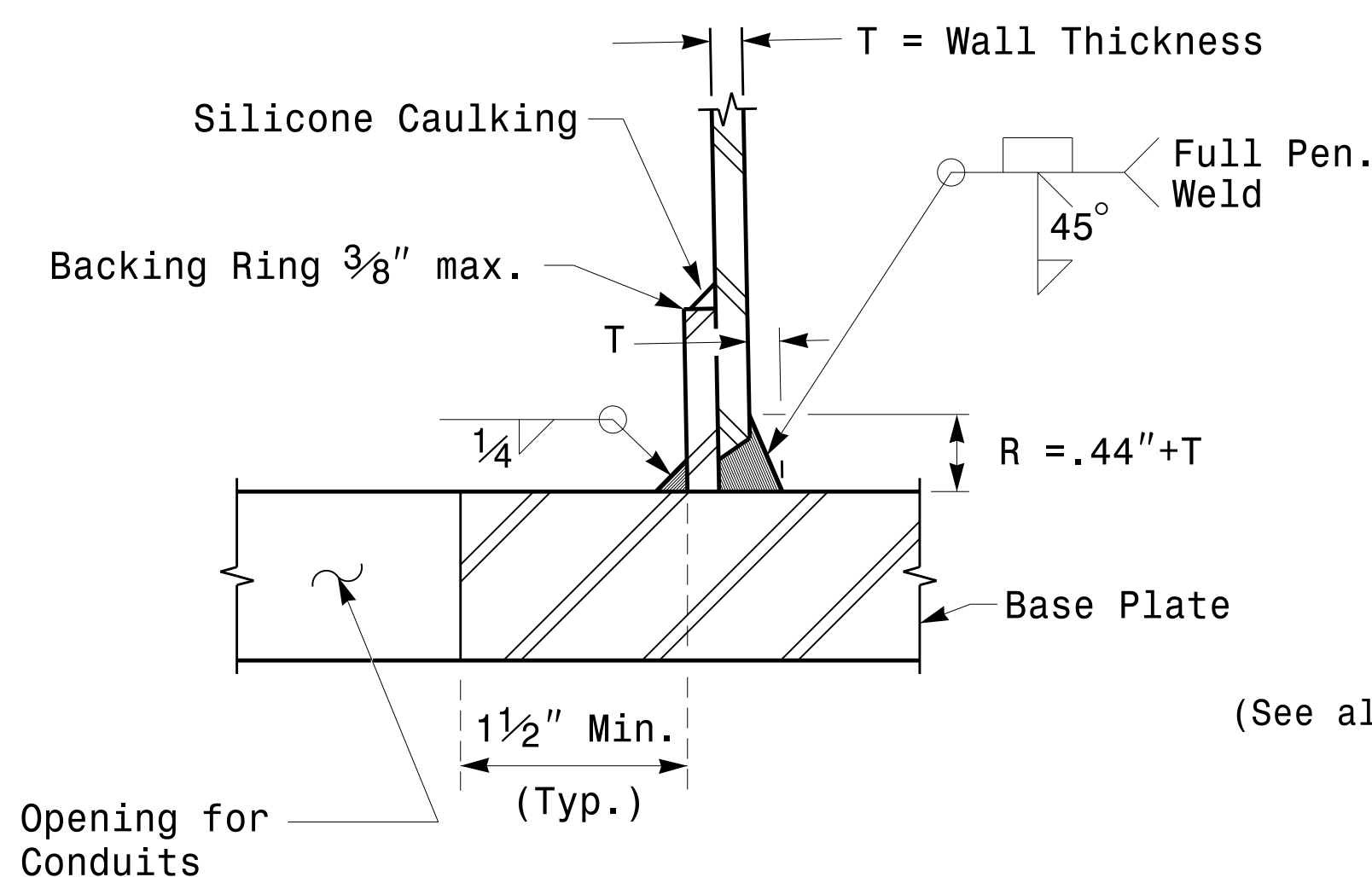
Cable Entrances at Top of Pole



Section B-B Pole Base Plate Details (8 and 12 Bolt Pattern)

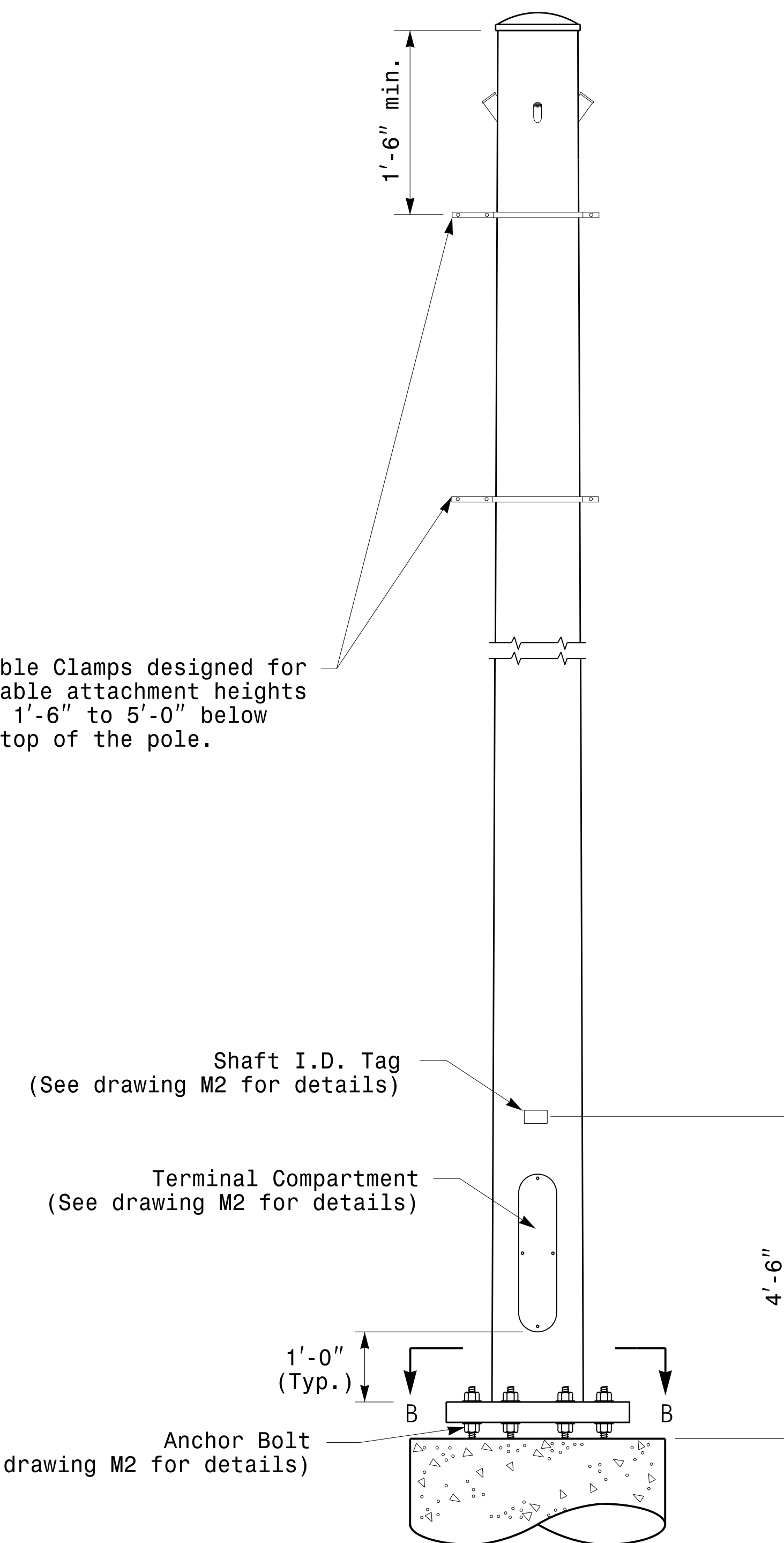


Section A-A Radial Orientation for Factory Installed Accessories at Top of Pole



Section C-C Full-Penetration Groove Weld Detail (Pole Attachment to Base Plate)

2 Cable Clamps designed for variable attachment heights from 1'-6" to 5'-0" below the top of the pole.



Monotube Strain Pole

Prepared in the Offices of:

 750 N. Greenleaf Pkwy, Garner, NC 27529

Typical Fabrication Details For Strain Poles

PLAN DATE: FEBRUARY 2016	DESIGNED BY: K.C. DURIGON
PREPARED BY: N. BITTING	REVIEWED BY: D.C. SARKAR
REVISIONS	INIT. DATE

SEAL

 DocuSigned by:
 Debesh C. Sarkar
 SIGNATURE
 44E8E32E147E4C4...
 2/17/2016
 DATE

17-FEB-2016 16:04
 I:\SCD\115 Signal\sig Design Section\Eastern Region\MT Sheets\2016\2014 Sig.M3 Std. Fabrication Details-Strain Poles.dgn
 3:01:02pm

Fabrication Details – Strain Poles