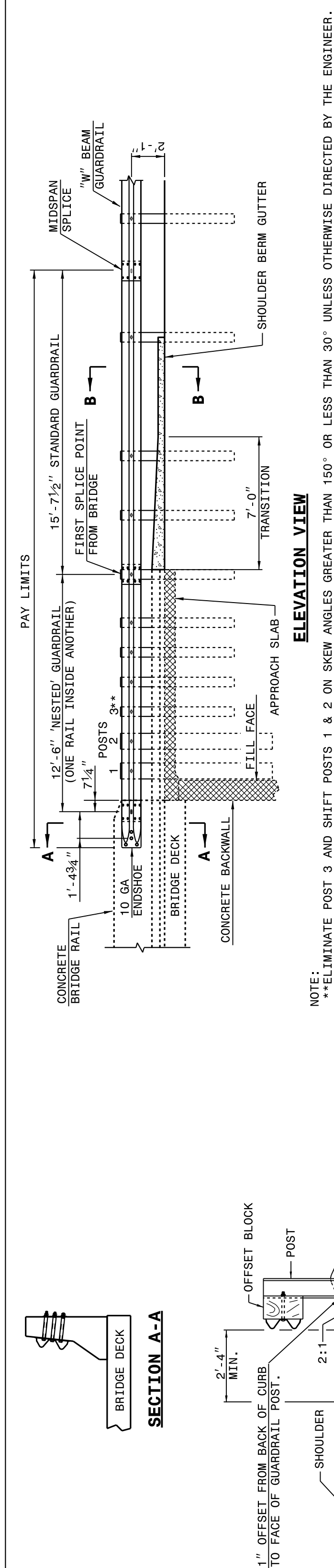


24-MAY-2017 11:59 S:\Contracts\Special Details\Standard Drawings\Division 8\862d01 862d03 862d03 862d03.dgn
 J:\Users\jhowerton\Standard Drawings\Special Details\Division 8\862d01 862d03 862d03 862d03.dgn
 J:\Users\jhowerton\Standard Drawings\Special Details\Division 8\862d01 862d03 862d03 862d03.dgn
 J:\Users\jhowerton\Standard Drawings\Special Details\Division 8\862d01 862d03 862d03 862d03.dgn

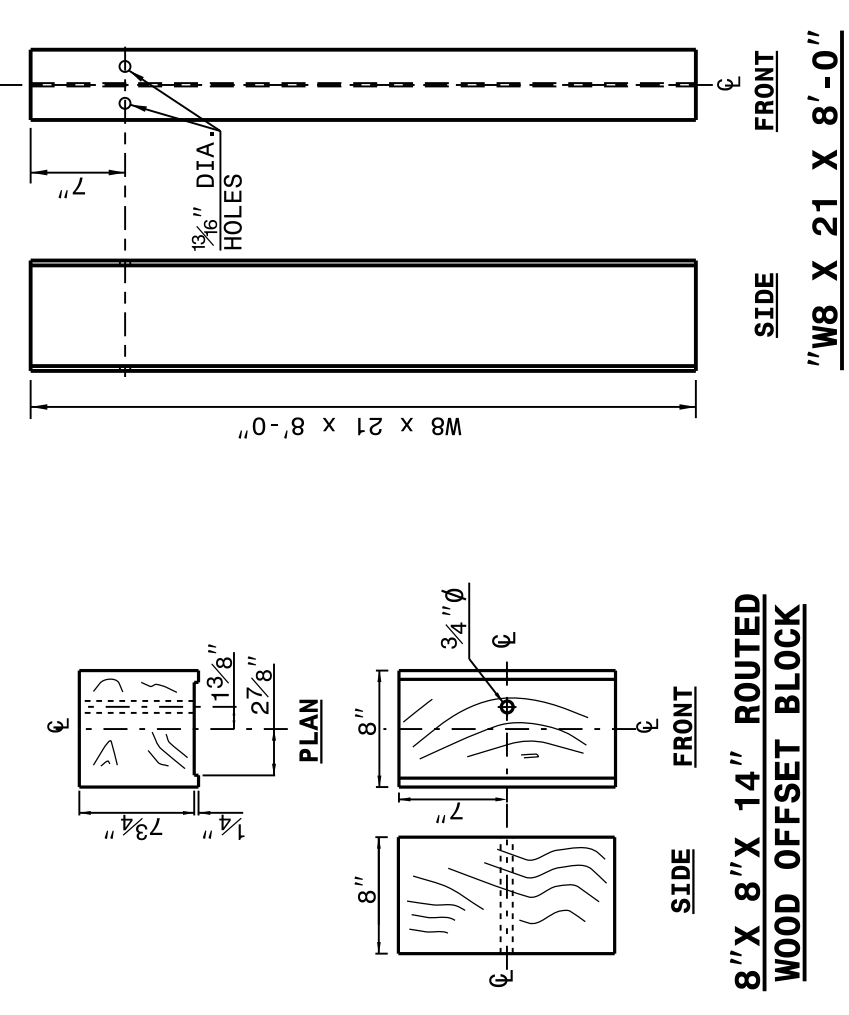
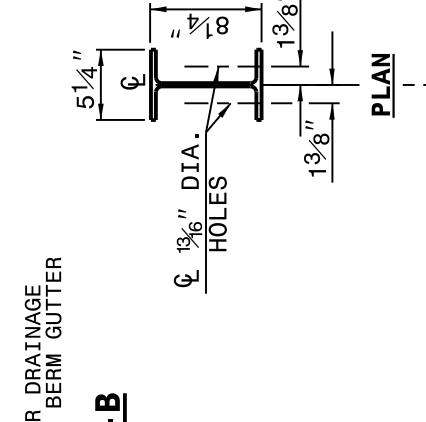
STATE OF NORTH CAROLINA
 DEPT. OF TRANSPORTATION
 DIVISION OF HIGHWAYS
 RALEIGH, N.C.

ROADWAY DETAIL DRAWING FOR
STRUCTURE ANCHOR UNITS
 GUARDRAIL ANCHOR UNIT TYPE B-83

SHEET 6 OF 7
862D03



NOTE:
 **ELIMINATE POST 3 AND SHIFT POSTS 1 & 2 ON SKEW ANGLES GREATER THAN 150° OR LESS THAN 30° UNLESS OTHERWISE DIRECTED BY THE ENGINEER.
 **POSTS 1 AND 2 SHALL BE LOCATED WITHIN THE PAY LIMITS OF THE BRIDGE DECK OR SHOULDER BERM GUTTER.
 **POSTS 3 AND 4 SHALL BE LOCATED WITHIN THE PAY LIMITS OF THE APPROACH SLAB OR TRANSITION.
 **USE NO WOOD JOINTS WITHIN THE GUARDRAIL ANCHOR UNIT LIMITS.
 **POSTS 1 AND 2 TO BE W8 X 21 X 8'-0" LONG STEEL POST AND 8" X 8" X 14" WOOD ROUTED OFFSET BLOCK.
 **SHOULDER BERM GUTTER IS REQUIRED IF NO CURBING EXISTS THROUGH ANCHOR UNIT PAY LIMITS.
 **ANCHOR THE W-BEAM END SIDE USING A 4 BOLT HOLD DOWN PLATE AS SHOWN IN STANDARD 862-04.



TRANSITION APPROACH SLAB CURB TO SHOULDER BERM GUTTER
GUARDRAIL ANCHOR UNIT TYPE B-83

STATE OF NORTH CAROLINA
 DEPT. OF TRANSPORTATION
 DIVISION OF HIGHWAYS
 RALEIGH, N.C.

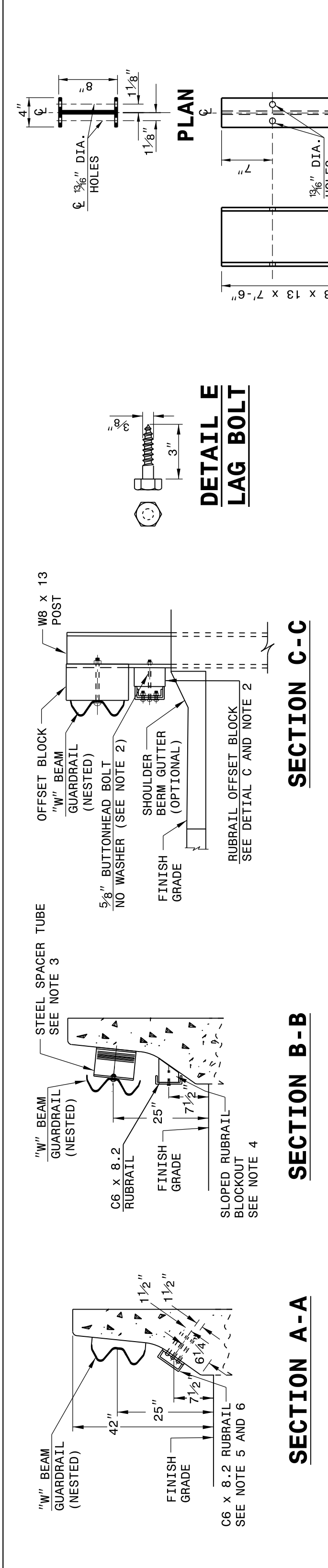
ROADWAY DETAIL DRAWING FOR
STRUCTURE ANCHOR UNITS
 GUARDRAIL ANCHOR UNIT TYPE B-83

SHEET 6 OF 7
862D03

STATE OF NORTH CAROLINA
 DEPT. OF TRANSPORTATION
 DIVISION OF HIGHWAYS
 RALEIGH, N.C.

ROADWAY DETAIL DRAWING FOR
STRUCTURE ANCHOR UNIT
 GUARDRAIL ANCHOR UNIT TYPE B-77
 FOR F-SHAPE BARRIER

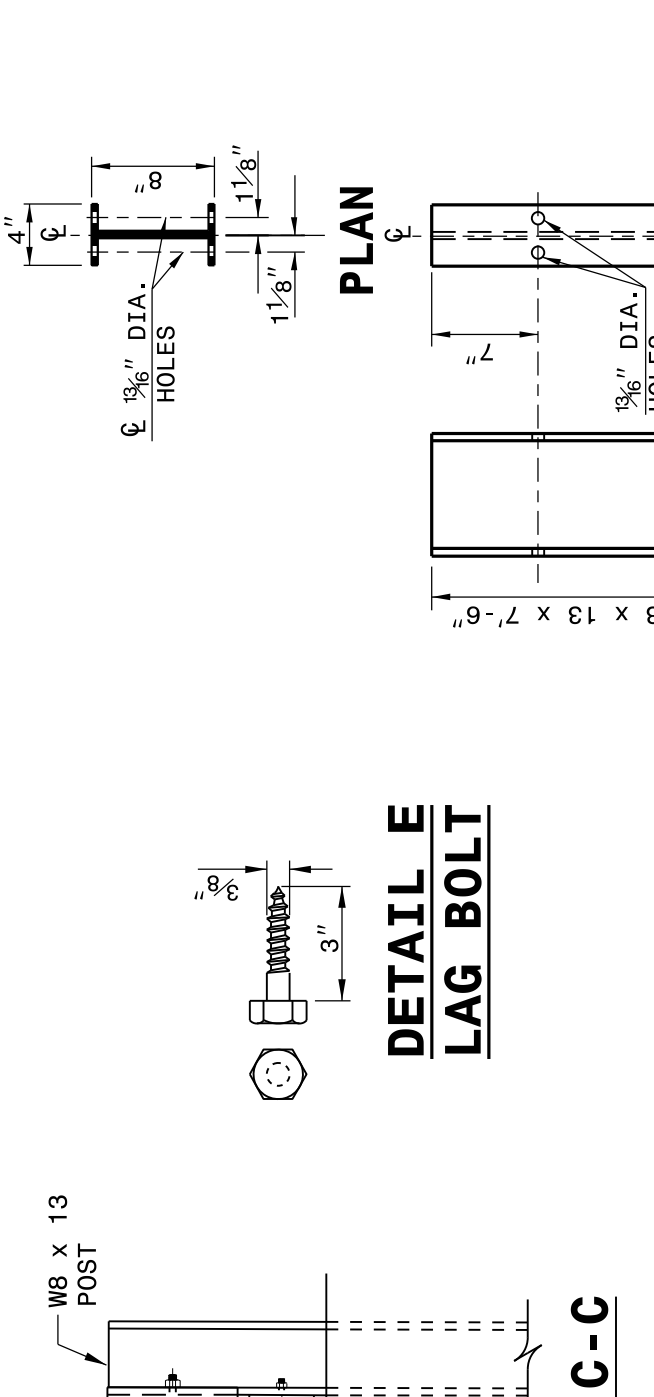
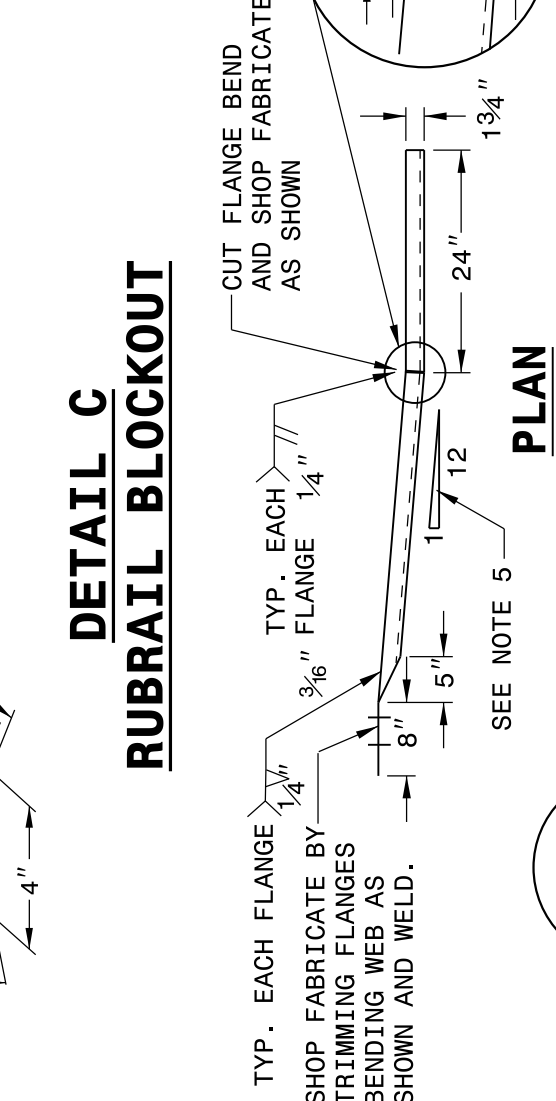
SHEET 5 OF 7
862D03



SECTION B-B

POST	THICKNESS	BOLT LENGTH
1	4 1/4"	9"
2	3 1/4"	5"
3	2"	6"
4	1"	3"

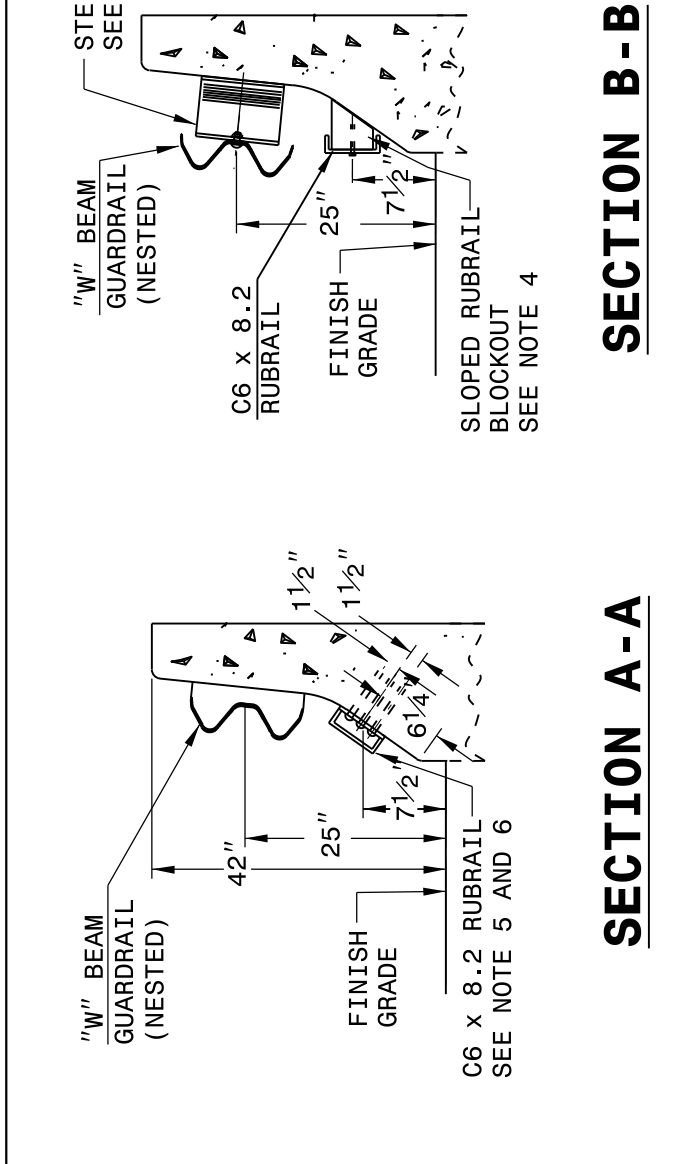
* BOLTS FOR POSTS 3 AND 4 ARE USED TO ATTACH TO BLOCK.



STATE OF NORTH CAROLINA
 DEPT. OF TRANSPORTATION
 DIVISION OF HIGHWAYS
 RALEIGH, N.C.

ROADWAY DETAIL DRAWING FOR
STRUCTURE ANCHOR UNIT
 GUARDRAIL ANCHOR UNIT TYPE B-77
 FOR F-SHAPE BARRIER

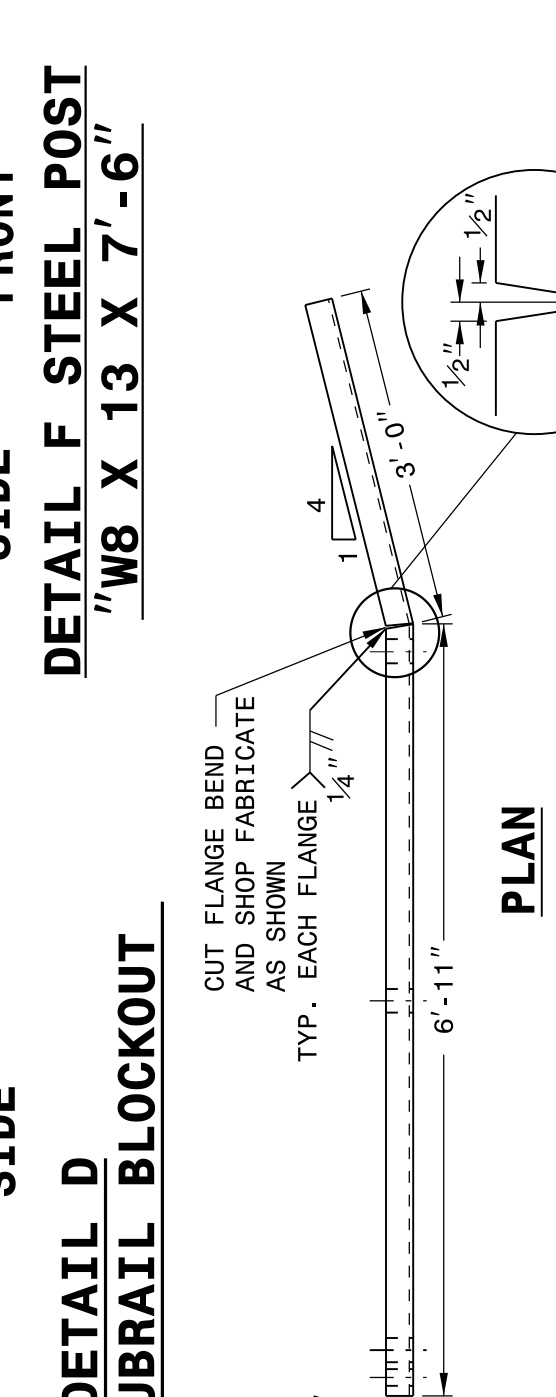
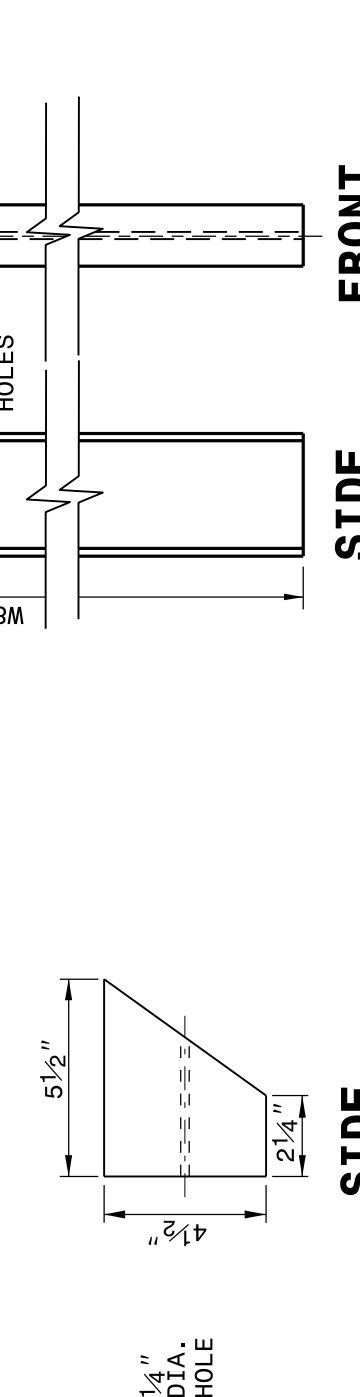
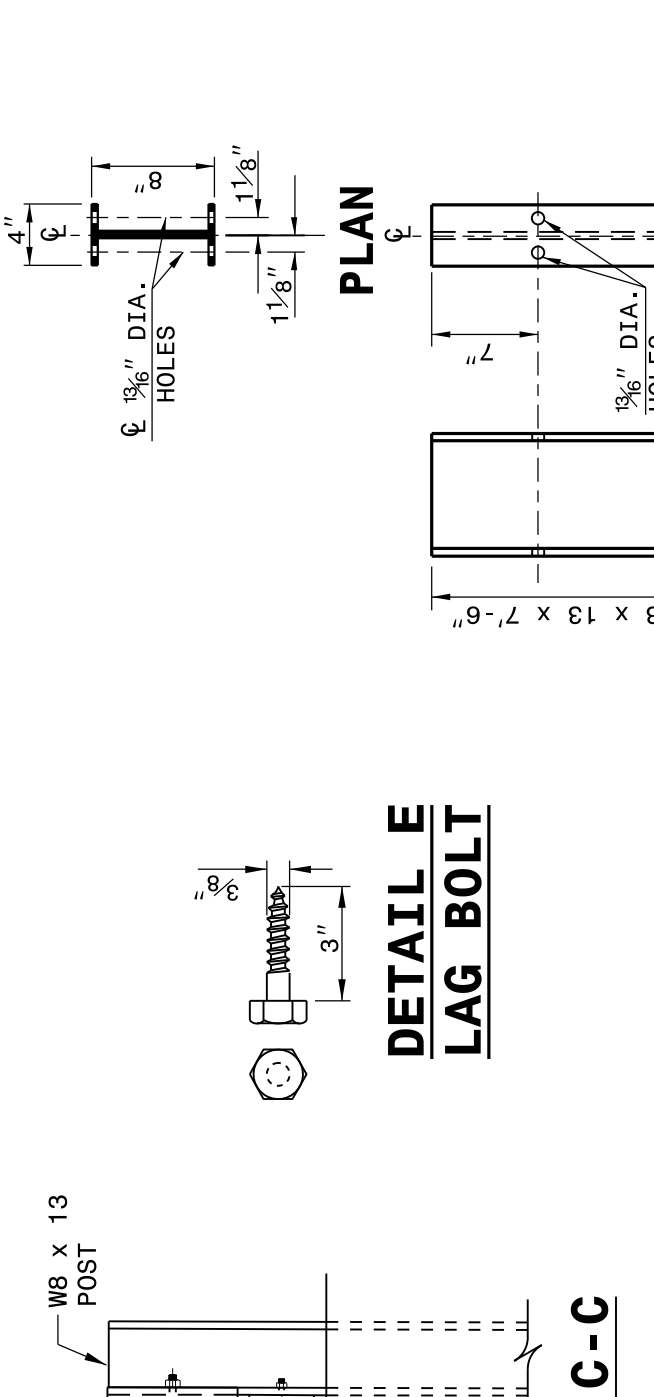
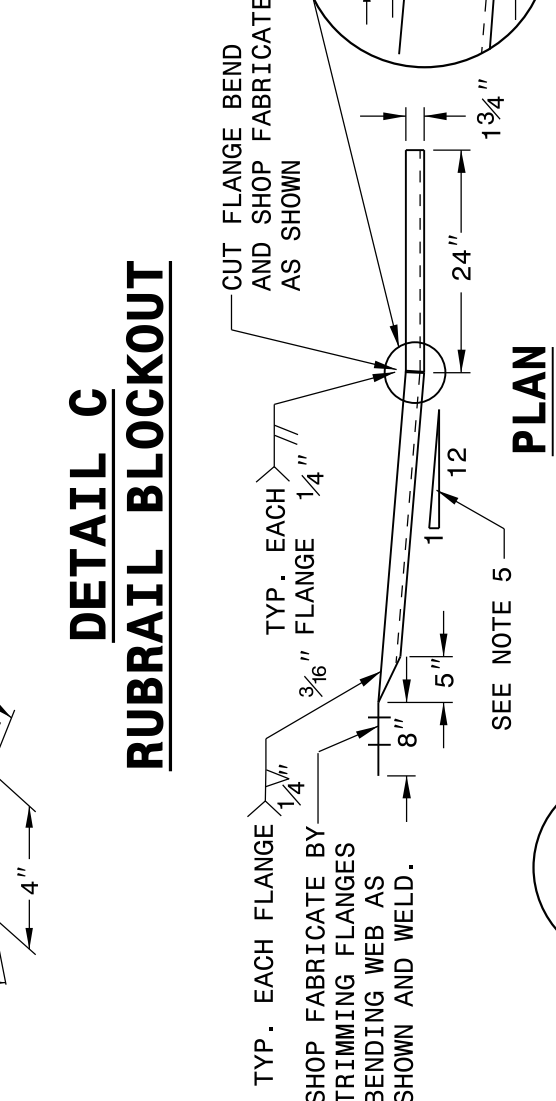
SHEET 5 OF 7
862D03



SECTION B-B

POST	THICKNESS	BOLT LENGTH
1	4 1/4"	9"
2	3 1/4"	5"
3	2"	6"
4	1"	3"

* BOLTS FOR POSTS 3 AND 4 ARE USED TO ATTACH TO BLOCK.



STATE OF NORTH CAROLINA
 DEPT. OF TRANSPORTATION
 DIVISION OF HIGHWAYS
 RALEIGH, N.C.

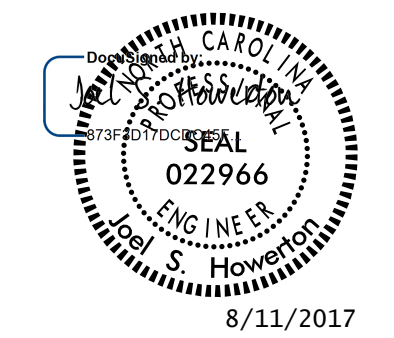
ROADWAY DETAIL DRAWING FOR
STRUCTURE ANCHOR UNIT
 GUARDRAIL ANCHOR UNIT TYPE B-77
 FOR F-SHAPE BARRIER

SHEET 5 OF 7
862D03

CONTRACT STANDARDS AND DEVELOPMENT UNIT
 Office 919-707-6950 FAX 919-250-4119

SEE TITLE BLOCK

ORIGINAL BY: J HOWERTON DATE: 06-22-12
 MODIFIED BY: DATE:
 CHECKED BY: DATE:
 FILE SPEC.:



8/11/2017

DOCUMENT NOT CONSIDERED FINAL
 UNLESS ALL SIGNATURES COMPLETED