

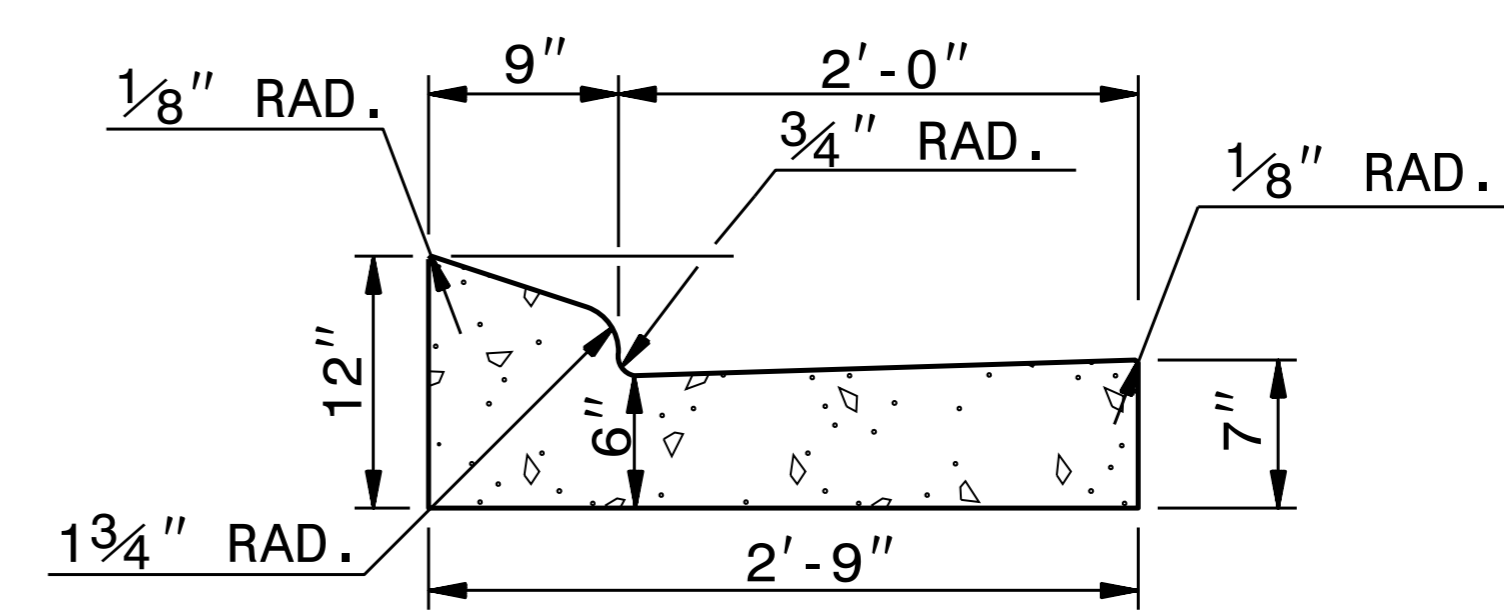
PROJECT REFERENCE NO.	SHEET NO.
U-4751	2C-1

STATE OF NORTH CAROLINA
DEPT. OF TRANSPORTATION
DIVISION OF HIGHWAYS
RALEIGH, N.C.

2'-9" CONCRETE CURB & GUTTER

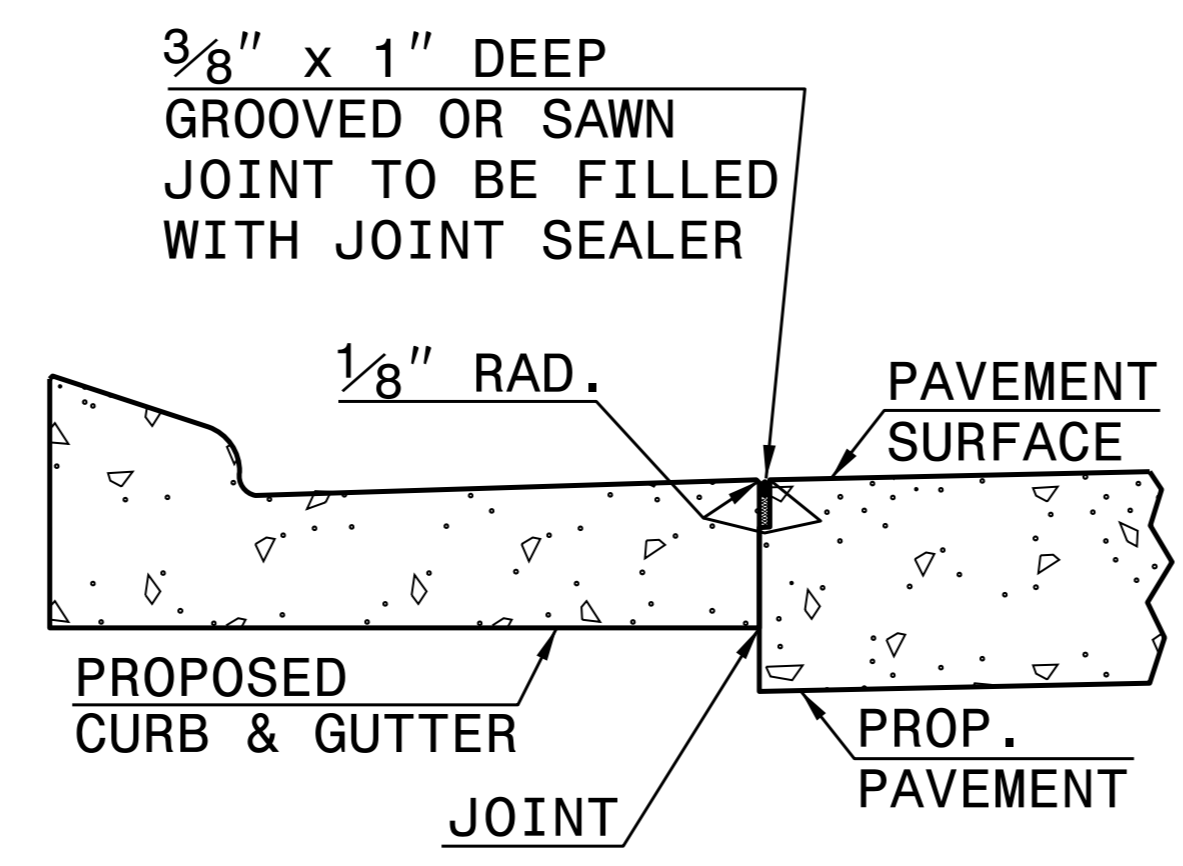
ENGLISH DETAIL DRAWING FOR

- GENERAL NOTES:
- PLACE CONTRACTION JOINTS AT 10' INTERVALS, EXCEPT THAT A 15' SPACING MAY BE USED WHEN A MACHINE IS USED OR WHEN SATISFACTORY SUPPORT FOR THE FACE FORM CAN BE OBTAINED WITHOUT THE USE OF TEMPLATES AT 10' INTERVALS.
 - JOINT SPACING MAY BE ALTERED IF REQUIRED BY THE ENGINEER.
 - CONTRACTION JOINTS MAY BE INSTALLED WITH THE USE OF TEMPLATES OR FORMED BY OTHER APPROVED METHODS. MAKE NON-TEMPLATE FORMED JOINTS A MIN. OF 1 1/2" DEEP.
 - FILL ALL CONSTRUCTION JOINTS WITH JOINT FILLER AND SEALER.
 - SPACE EXPANSION JOINTS AT 90' INTERVALS AND ADJACENT TO ALL RIGID OBJECTS.

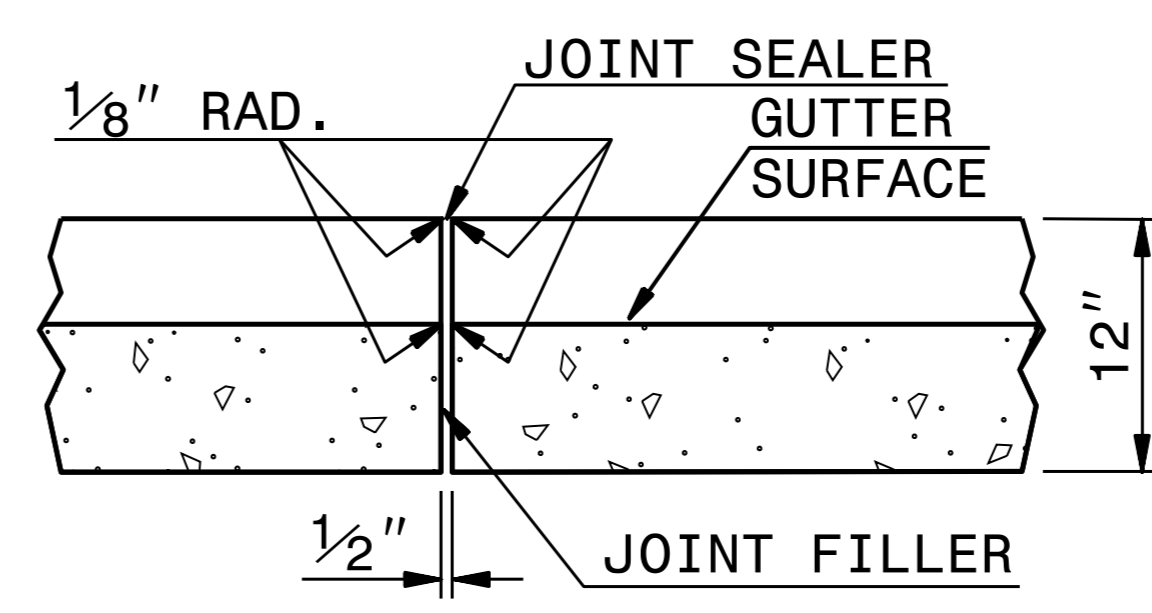


2'-9" CURB AND GUTTER

SECTION VIEW OF CURB AND GUTTER



LONGITUDINAL JOINT



TRANSVERSE EXPANSION JOINT IN CURB AND GUTTER

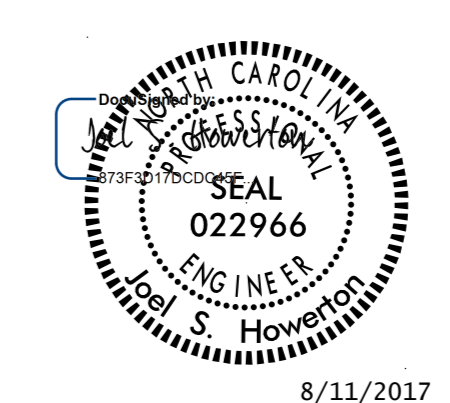
SECTION VIEW OF JOINTS

STATE OF NORTH CAROLINA
DEPT. OF TRANSPORTATION
DIVISION OF HIGHWAYS
RALEIGH, N.C.

ENGLISH DETAIL DRAWING FOR
2'-9" CONCRETE CURB & GUTTER

SHEET 1 OF 1
846D01

SHEET 1 OF 1
846D01



8/11/2017

CONTRACT STANDARDS AND DEVELOPMENT UNIT	
Office 919-250-4128	FAX 919-250-4119
SEE PLATE FOR TITLE	
ORIGINAL BY: STD_846_01	DATE: _____
MODIFIED BY: E.E. WARD	DATE: 8-15-00
CHECKED BY: _____	DATE: _____
FILE SPEC.: /usr/details/stand/c&g2'-9\".dgn	

\$\$\$\$\$SYTIME\$\$\$\$\$
\$\$\$\$\$CON\$\$\$\$\$
\$\$\$\$\$USERNAME\$\$\$\$\$
\$\$\$\$\$\$\$\$\$\$