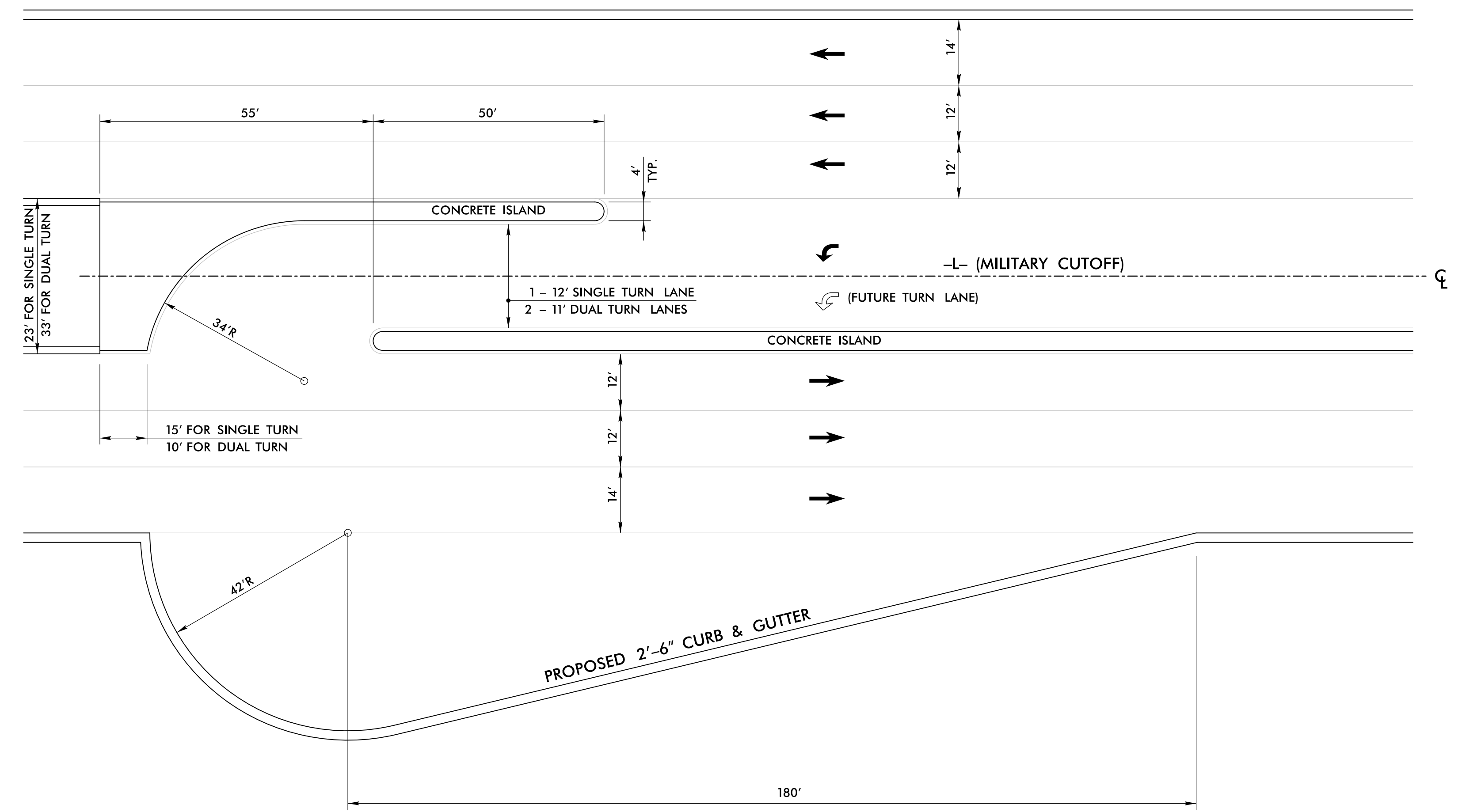


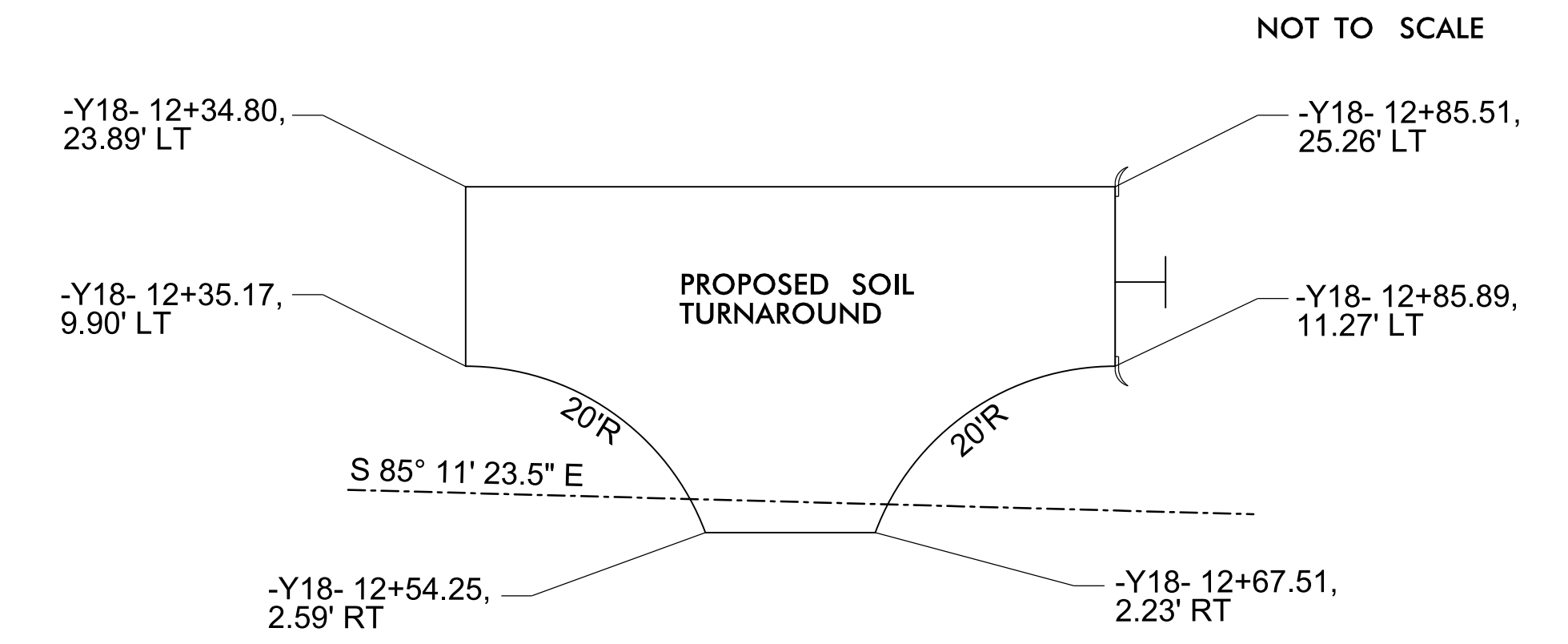
**STV** 100 Years  
 STV Engineers, Inc.  
 900 West Trade St., Suite 715  
 Charlotte, NC 28202  
 NC License Number F-0991

**DOCUMENT NOT CONSIDERED FINAL  
UNLESS ALL SIGNATURES COMPLETED**

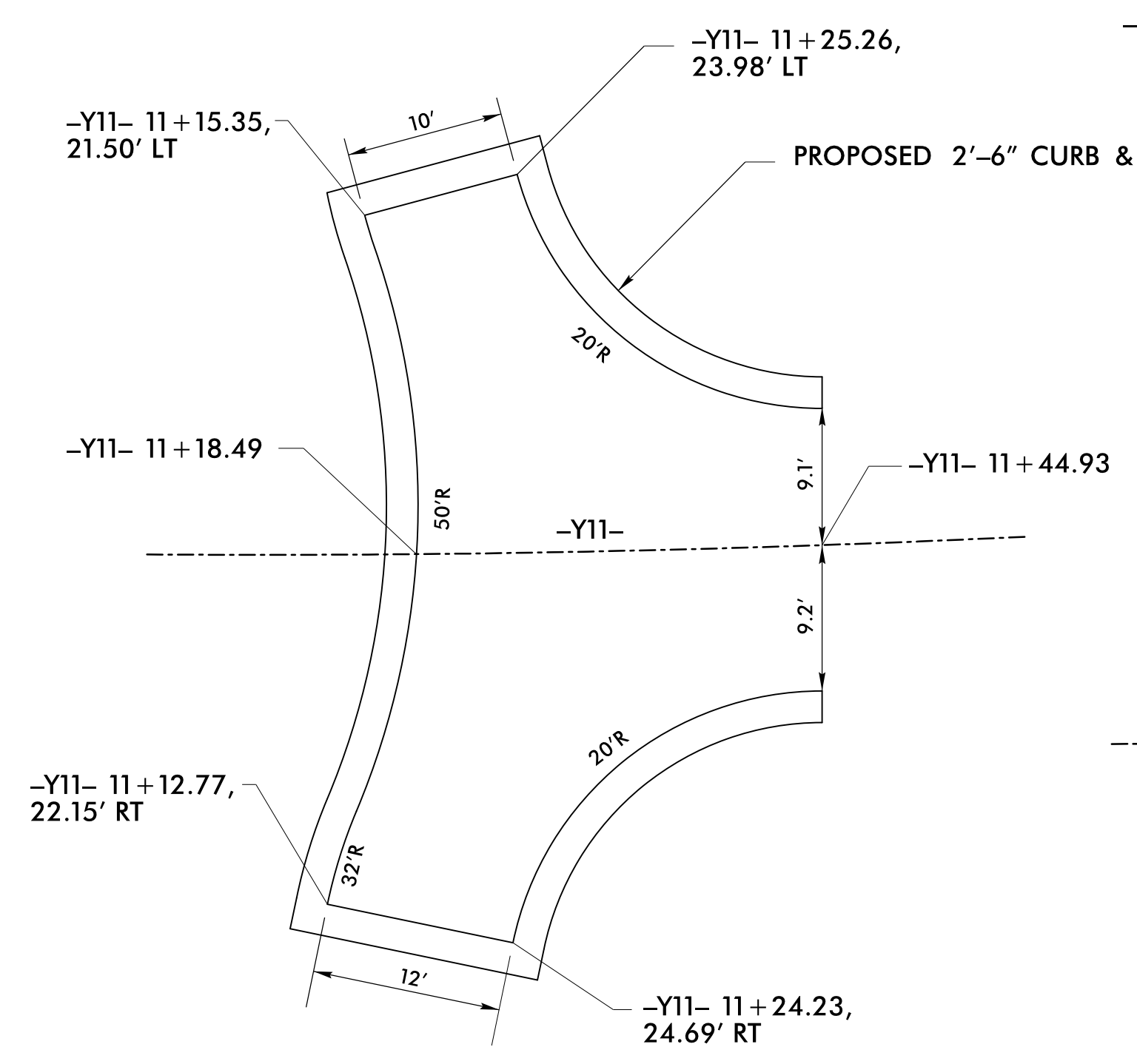
PROJECT REFERENCE NO. U-4751	SHEET NO. 2A-10
ROADWAY DESIGN ENGINEER <i>[Signature]</i> SEAL 043891	PAVEMENT DESIGN ENGINEER <i>[Signature]</i> SEAL 022896



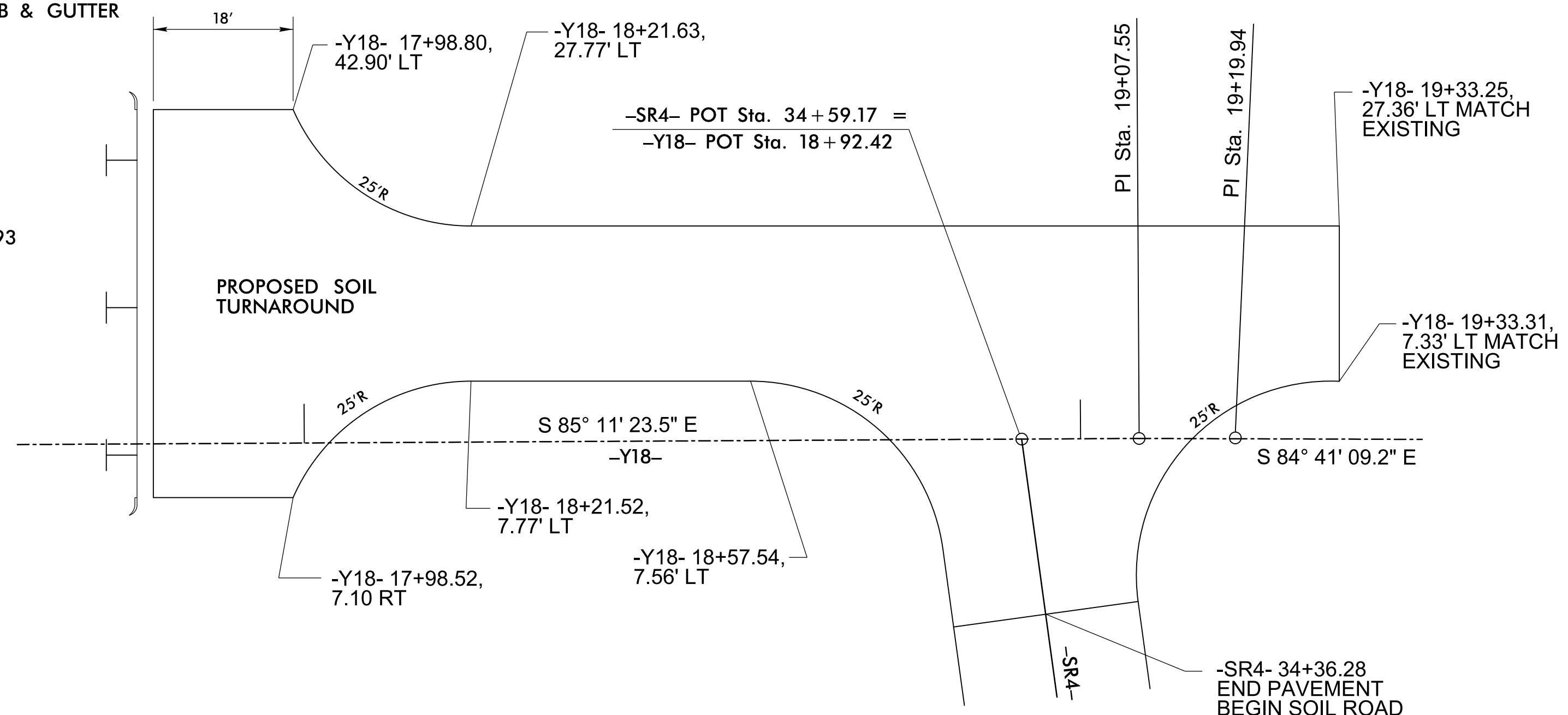
**U-TURN BULB-OUT DETAIL**  
 -L- STA. 73+00.00 TO 79+25.00, RT (DUAL)  
 -L- STA. 145+00.00 TO 151+41.23, LT (SINGLE)  
 -L- STA. 169+65.00 TO 176+49.73, RT (DUAL)  
 -L- STA. 175+50.27 TO 182+35.00, LT (DUAL)



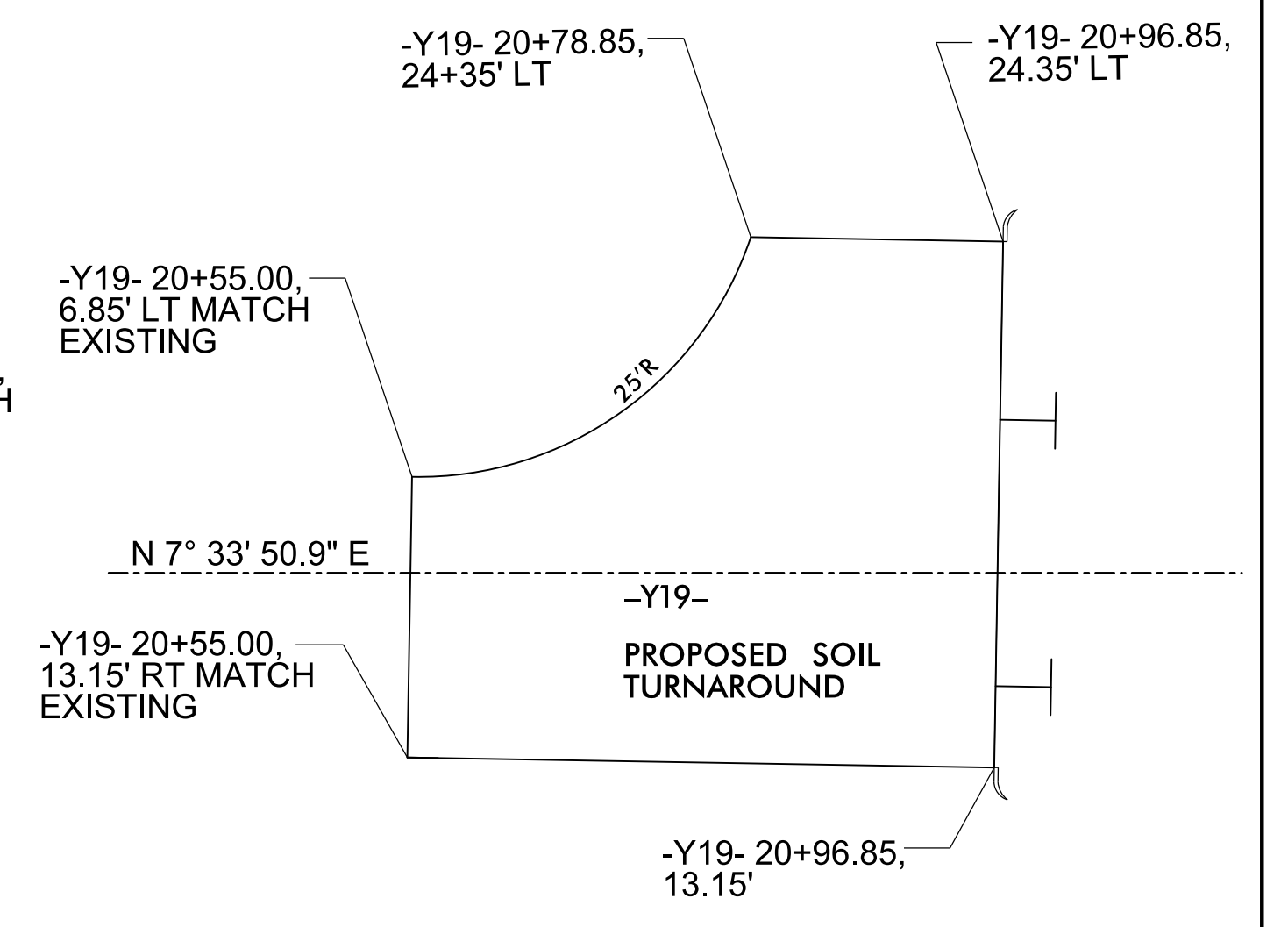
**HAMMERHEAD TURNAROUND DETAIL**  
 -Y18- (PLANTATION RD)  
 SEE PLAN SHEET 18



**TURNAROUND DETAIL**  
 -Y11- (BROOKBEND RD)  
 (SEE TYPICAL SECTION NO. 15,  
 SHEET 2A-6 FOR PAVEMENT DESIGN)  
 SEE PLAN SHEET 11



**HAMMERHEAD TURNAROUND DETAIL**  
 -Y18- (PLANTATION RD)  
 SEE PLAN SHEET 18



**HAMMERHEAD TURNAROUND DETAIL**  
 -Y19- (CROOKED PINE RD)  
 SEE PLAN SHEET 19

6/2/2017  
C:\Users\pcoj\OneDrive\Projects\U4751\RDY\_psh02A\_TYP.dgn