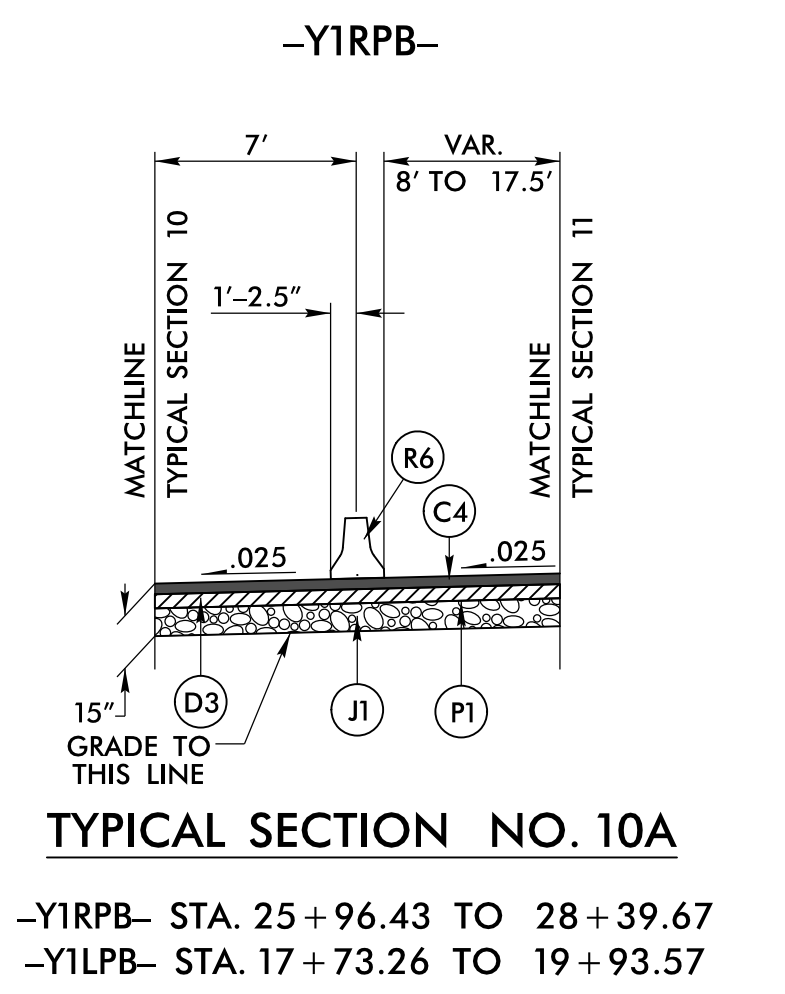
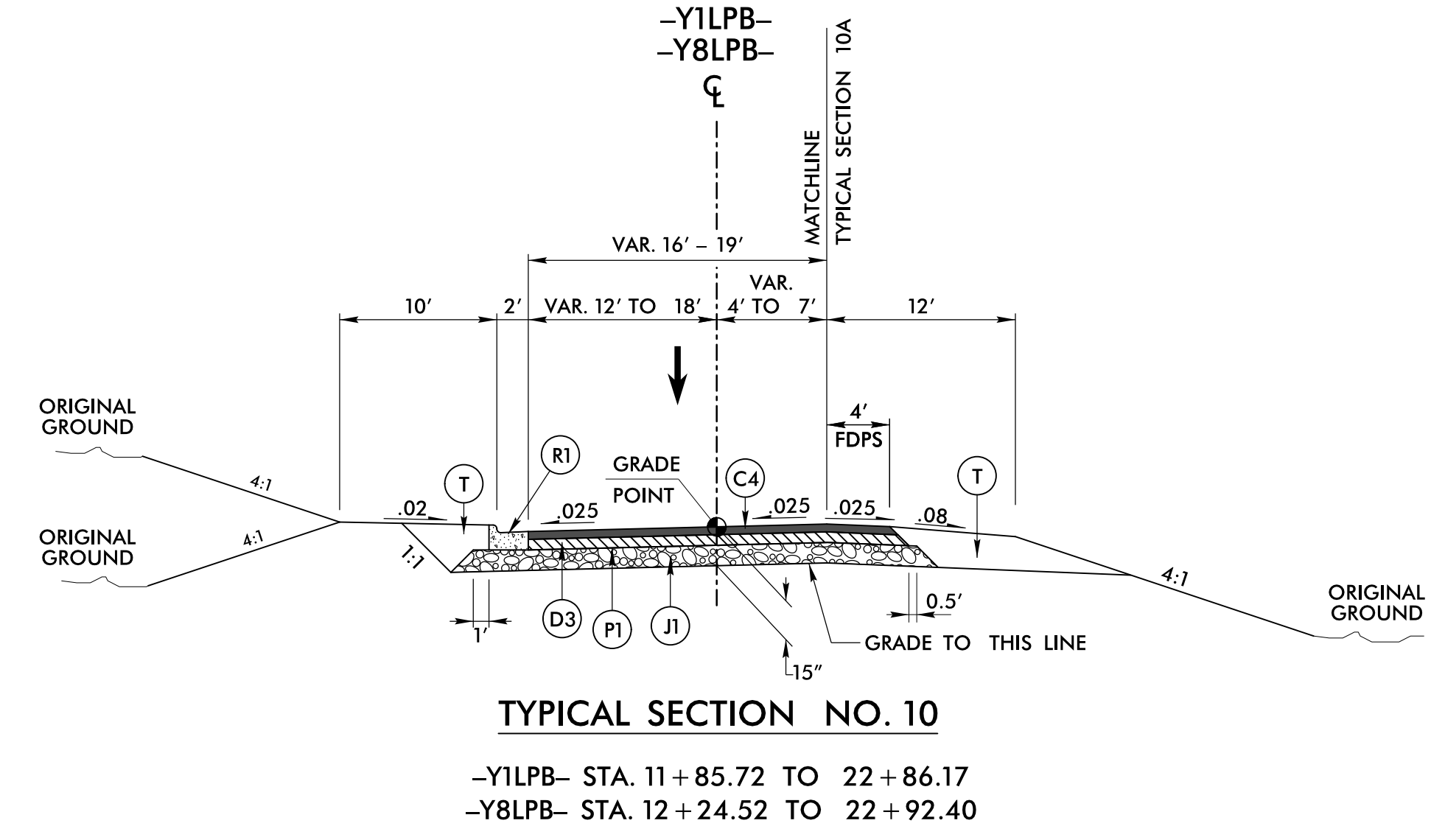
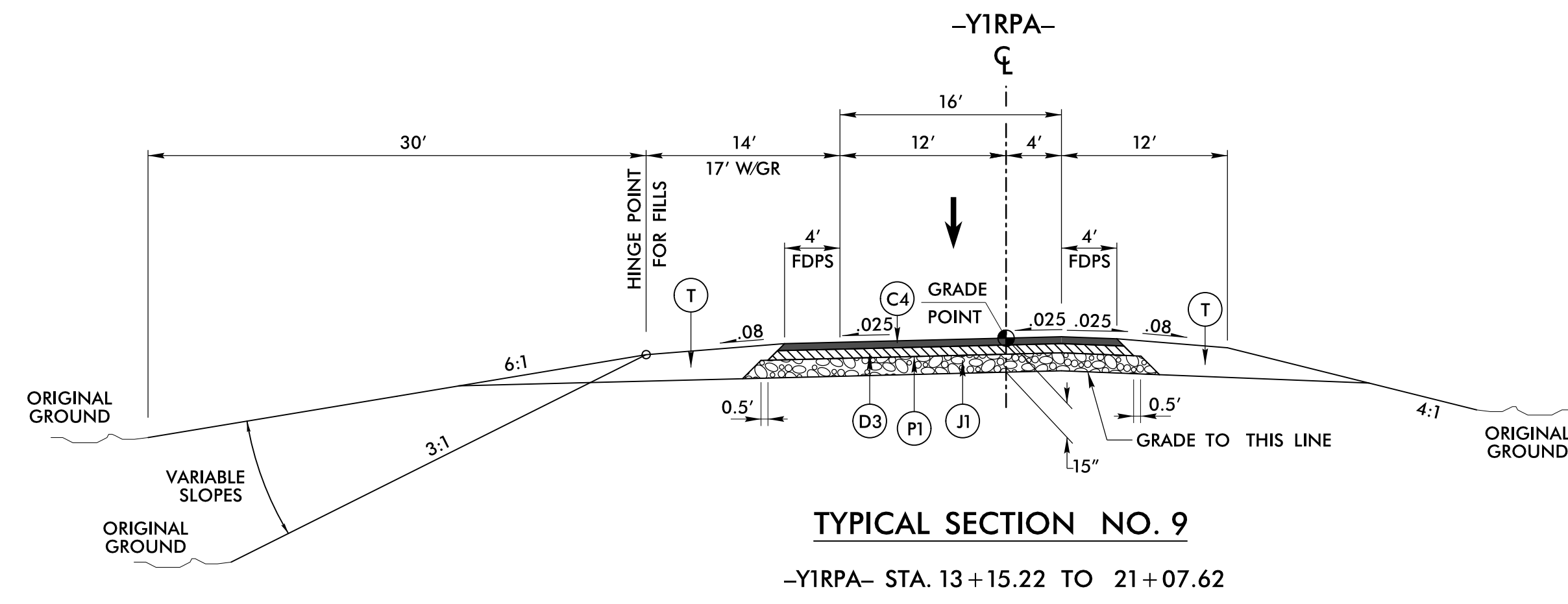


STV 100 Years
 STV Engineers, Inc.
 900 West Trade St., Suite 715
 Charlotte, NC 28202
 NC License Number F-0991

**DOCUMENT NOT CONSIDERED FINAL
 UNLESS ALL SIGNATURES COMPLETED**

PROJECT REFERENCE NO. U-4751	SHEET NO. 2A-5
ROADWAY DESIGN ENGINEER <i>[Signature]</i>	PAVEMENT DESIGN ENGINEER <i>[Signature]</i>



C1	1.5" S9.5B
C2	2.0" S9.5B
C3	2.5" S9.5B
C4	3.0" S9.5B
C5	VAR. S9.5B
C6	1.5" S9.5C
C7	3.0" S9.5C
C8	VAR. S9.5C
D1	2.5" I19.0B
D2	3.0" I19.0B
D3	4.0" I19.0B
D4	VAR. I19.0B
D5	4.0" I19.0C
D6	VAR. I19.0C
E1	4.0" B25.0B
E2	4.5" B25.0B
E3	VAR. B25.0B
E4	4.5" B25.0C
E5	5.5" B25.0C
E6	7.0" B25.0C
E7	VAR. B25.0C
J1	8.0" ABC
J2	6.0" ABC
J3	VAR. DEPTH ABC
P1	PRIME COAT
R1	2' - 6" C&G
R2	1' - 6" C&G
R3	5" MONO. ISLAND
R4	SHOULDER BERM GUTTER
R5	2.0' VALLEY GUTTER
R6	CONC. BARRIER, TYPE T
R7	CONC. BARRIER, SINGLE
R8	2' - 9" C&G
S	CONC. SIDEWALK
T	EARTH MATERIAL
U	EXISTING PAVEMENT
V	MILLING
W	WEDGING
Y	MILLED RUMBLE STRIPS

