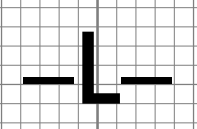
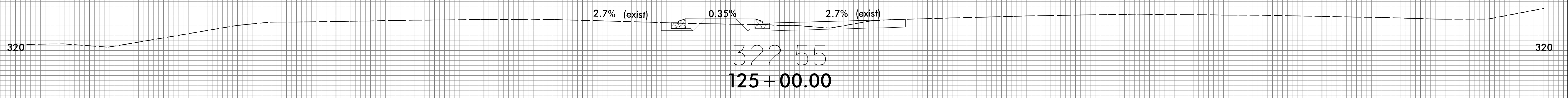
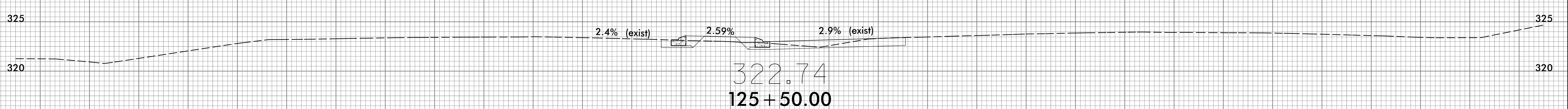
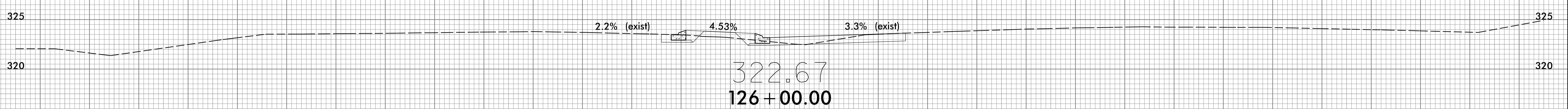
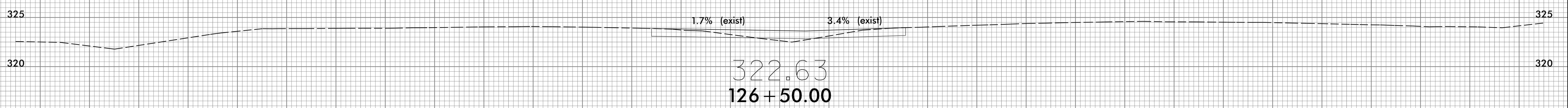
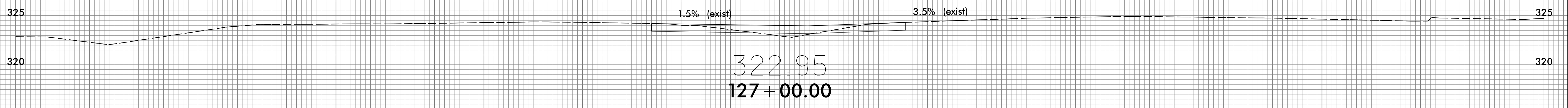


6/23/16



PROJ. REFERENCE NO.	SHEET NO.
W-5704A&B	X-19

75 70 65 60 55 50 45 40 35 30 25 20 15 10 5 0 5 10 15 20 25 30 35 40 45 50 55 60 65 70 75



75 70 65 60 55 50 45 40 35 30 25 20 15 10 5 0 5 10 15 20 25 30 35 40 45 50 55 60 65 70 75

9/27/2017  
I:\Projects\W-5704A&B\Fdu\_xp1.dgn  
J:\E\rdg\rdg