

GENERAL NOTES:

CLASS "B" CONCRETE TO BE USED THROUGHOUT

PROVIDE ALL DROP INLETS OVER 3'-6" IN DEPTH WITH STEPS 12" ON CENTER. USE STEPS WHICH COMPLY WITH STD. DRAWING 840.66

OPTIONAL CONSTRUCTION - MONOLITHIC POUR, 2" KEYWAY, OR #4 BAR DOWELS AT 12" CENTER, AS DIRECTED BY ENGINEER.

USE FORMS FOR THE CONSTRUCTION OF THE BOTTOM SLAB.

IF REINFORCED CONCRETE PIPE IS SET IN BASE SLAB OF BOX, ADD TO BASE AS SHOWN ON STANDARD 840.00.

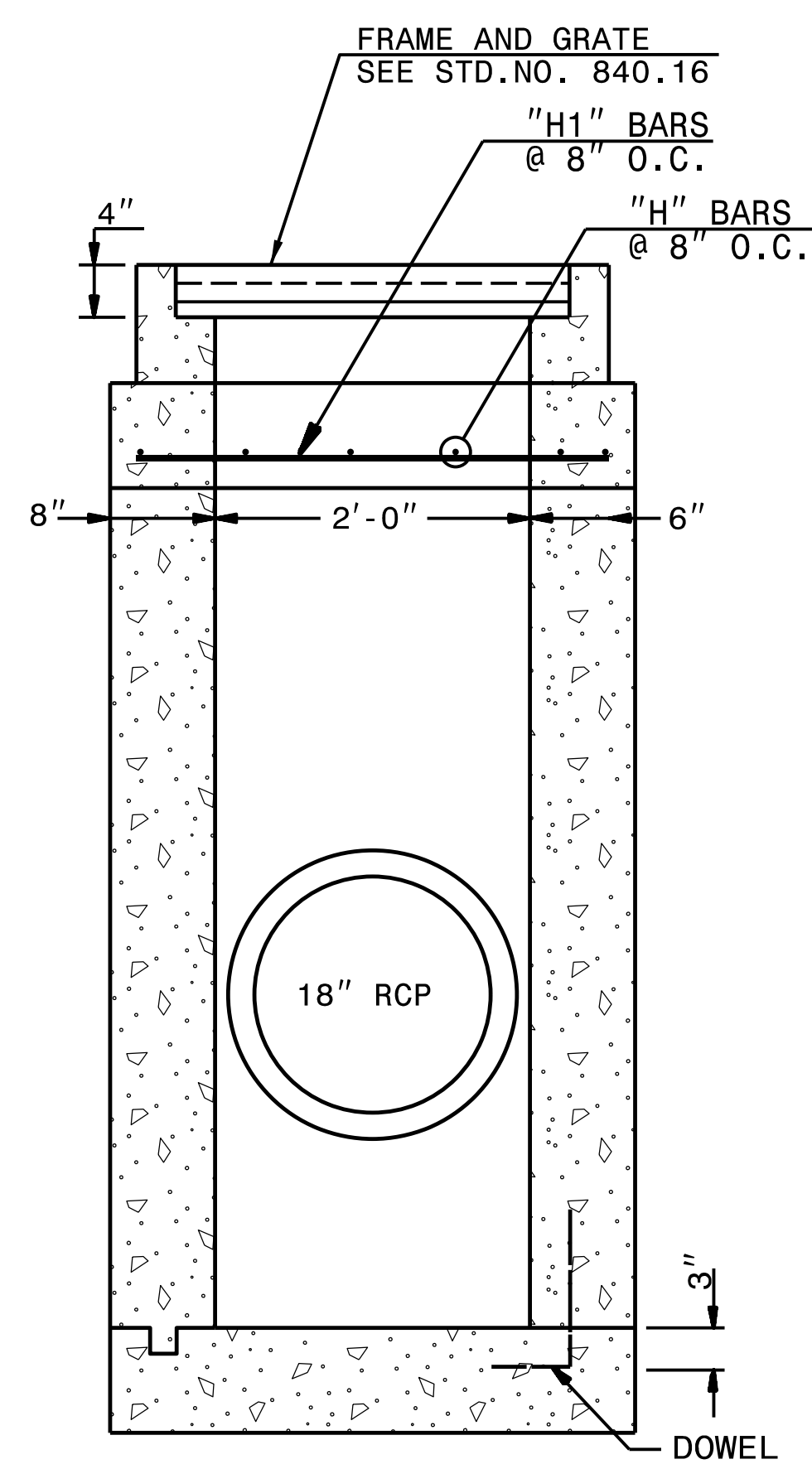
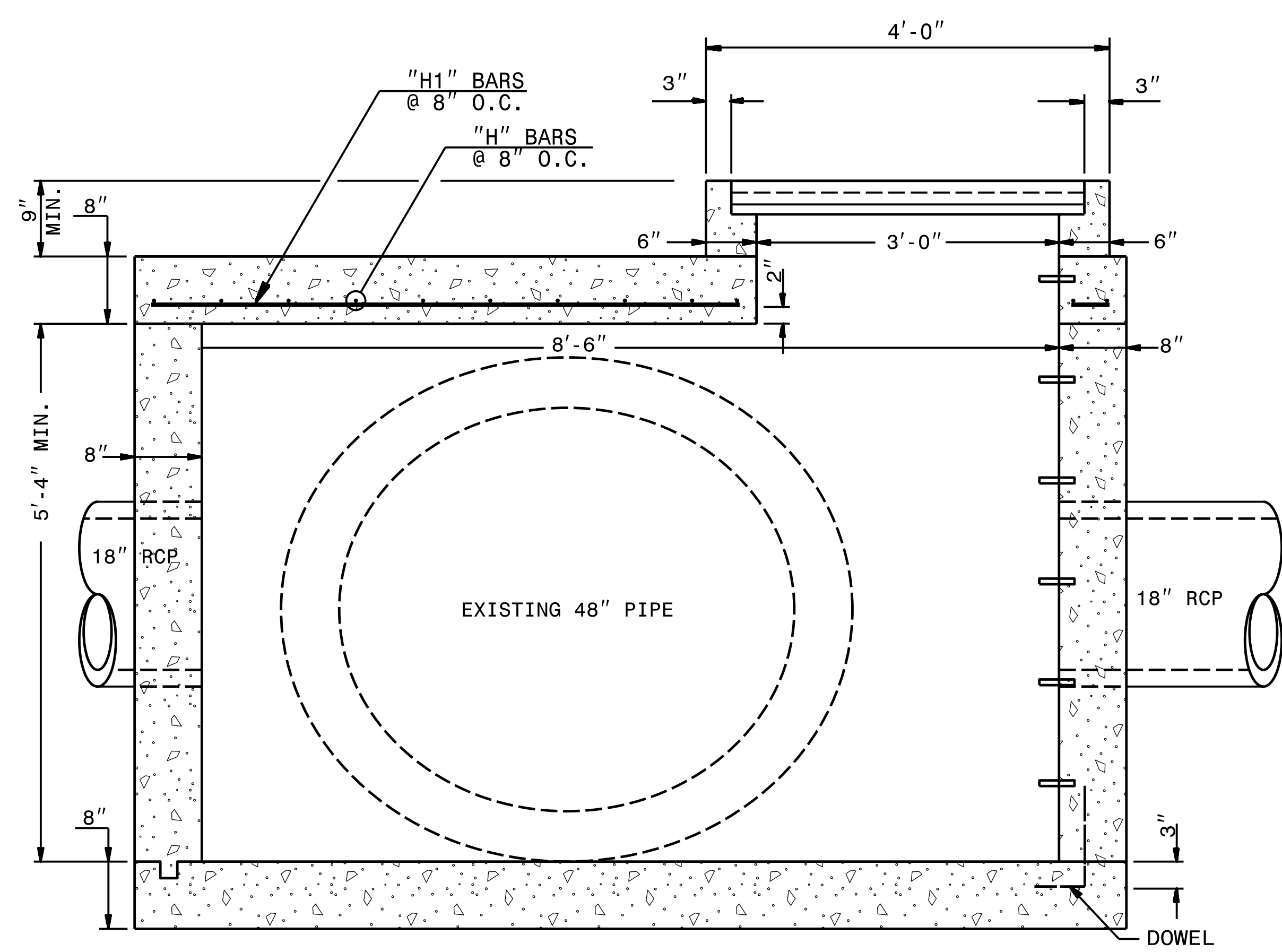
SEE STANDARD DRAWING 840.25 FOR ATTACHMENT OF FRAMES AND GRATES NOT SHOWN.

INSTALL 2" WEEP HOLES AS DIRECTED BY THE ENGINEER.

INSTALL STONE DRAINS, OF A MINIMUM 1 CUBIC FOOT OF NO. 78M STONE IN A POROUS FABRIC BAG OR WRAP, AT EACH WEEP HOLE OR AS DIRECTED BY THE ENGINEER.

CHAMFER ALL EXPOSED CORNERS 1"

DRAWING NOT TO SCALE.



SIDE ELEVATION
SECTION A-A

END ELEVATION
SECTION B-B

BILL OF MATERIAL				
BAR	NO.	SIZE	LENGTH	WEIGHT
H	10	#4	3'-0"	8
H1	6	#4	9'-6"	38
TOTAL REINF. STEEL (lbs.)				46
CLASS "B" CONC. (cu. yds.)				4.8

QUANTITIES ARE BASED ON MINIMUMS. NO DEDUCTIONS HAVE BEEN MADE TO ACCOMMODATE PIPES.



DOCUMENT NOT CONSIDERED FINAL
UNLESS ALL SIGNATURES COMPLETED

CONTRACT STANDARDS AND DEVELOPMENT UNIT
Office 919-707-6950 FAX 919-250-4119

CONCRETE DROP INLET

ORIGINAL BY: K.A. KEMPF DATE: 9-17
 MODIFIED BY: DATE:
 CHECKED BY: DATE:
 FILE SPEC.: kkempf\english\840d14 48rcp sk.dgn

\$\$\$SYTIME\$\$\$\$\$
 \$\$\$CUTLIST\$\$\$\$\$
 \$\$\$USERNAME\$\$\$\$\$